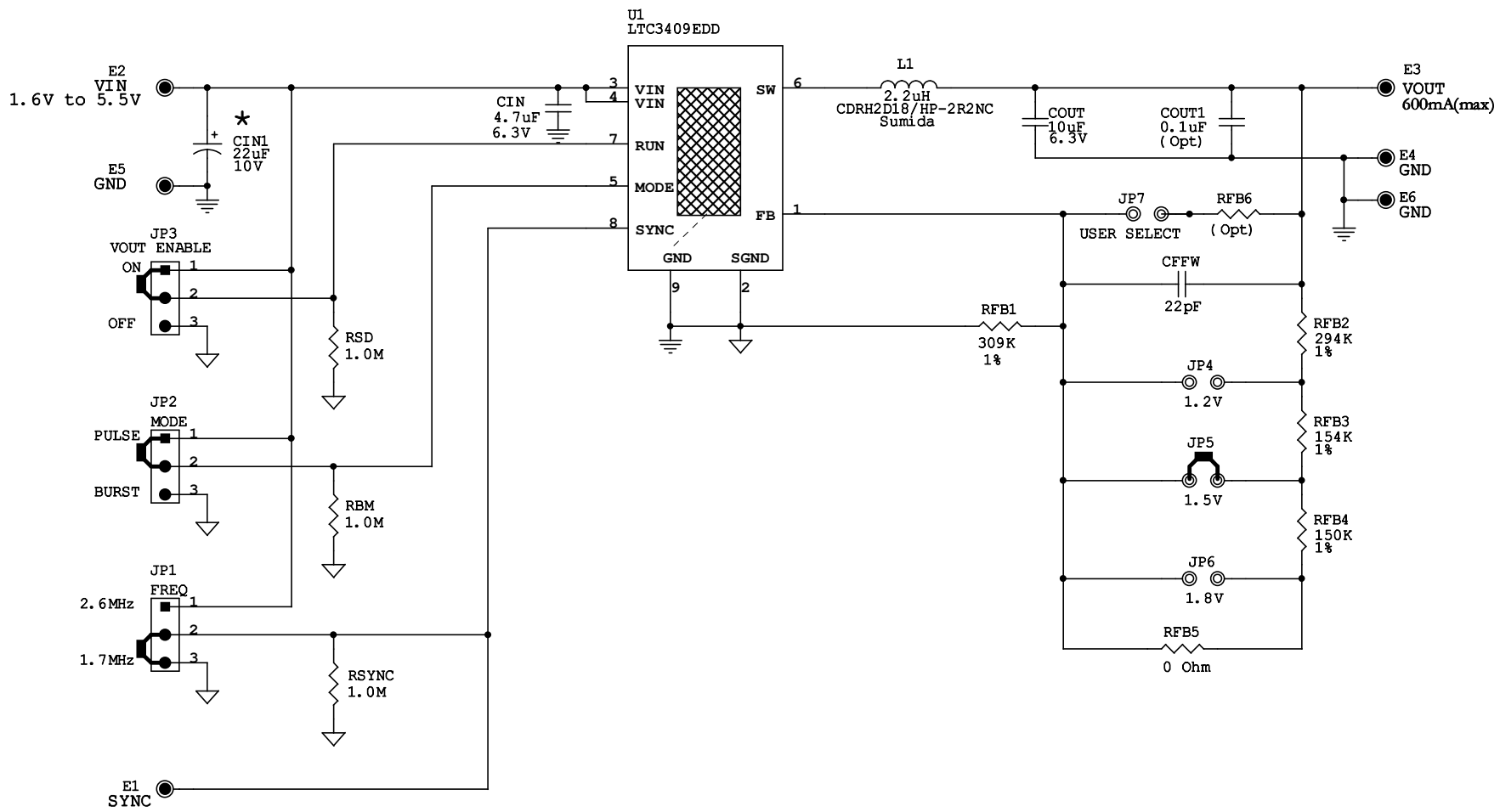


This circuit is proprietary to Linear Technology and supplied for use with Linear Technology parts.
Customer Notice: Linear Technology has made a best effort to design a circuit that meets customer-supplied specifications; however, it remains the customer's responsibility to verify proper and reliable operation in the actual application. Component substitution and printed circuit board layout may significantly affect circuit performance or reliability. Contact Linear Applications Engineering for assistance.



* CIN1 IS AN OPTIONAL CAPACITOR. IT IS INSERTED ON THE DC828A TO DAMPEN THE (POSSIBLE) RINGING VOLTAGE DUE TO THE LONG INPUT LEADS. ON A NORMAL, TYPICAL PCB, WITH SHORT TRACES, THE CAPACITOR IS NOT NEEDED.

Linear Technology Corp.		1630 McCarthy Blvd., Milpitas, CA 95035-7487 Phone: (408)432-1900 Fax: (408)434-0507
Title <i>Monolithic Synchronous Buck Regulator</i>		
Size	Document Number <i>Demo Circuit 828A</i>	Rev 1
Date:	Wednesday, April 06, 2005	Sheet 1 of 1