

NOTES:

1. MATERIALS & FINISHES:

BODY - BRASS - GOLD PLATED (.000030 MIN.)
 CONTACT - BRASS - GOLD PLATED (.000030 MIN.)
 INSULATOR - LCP

2. ELECTRICAL:

A. FREQUENCY RANGE = DC - 10 GHz
 B. CONNECTOR ONLY VSWR: 1.15:1 MAX AT DC - 10 GHz

RESULTS WILL VARY BASED ON BOARD CONFIGURATION

C. D.W.V. = 500 VRMS MIN.
 D. INSULATION RESISTANCE = 1,000 MEGOHMS MIN.

3. PHYSICAL:

A. TEMPERATURE RANGE = -65°C TO +165°C
 B. DURABILITY = 100 MATING CYCLES MIN.

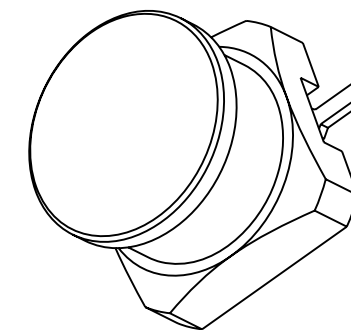
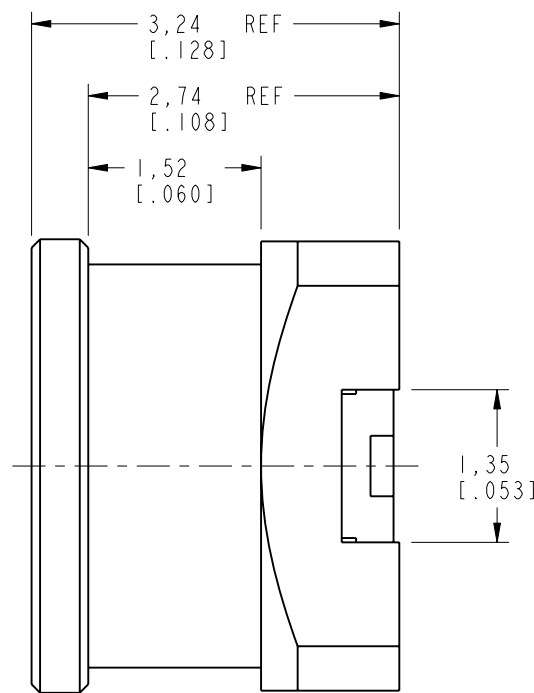
4. PACKAGING:

A. PACKAGE CONNECTOR T&R AS PER "925-131J-51S TAPE."
 B. MARK TAG WITH AMPHENOL RF P/N:
 " 925-144J-51PT" AND DATE CODE "WWYY"
 QTY: 2200 PCS/ REEL

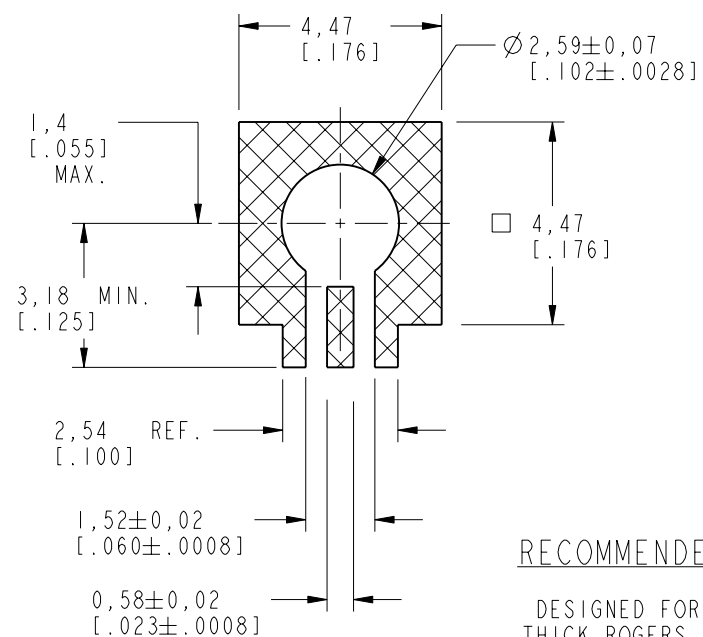
THIRD ANGLE PROJ.

REVISIONS

REV	DESCRIPTION	DATE	ECO	APPR
A	RELEASE TO MFG.	23-Nov-16	02442	KCE
B	UPDATED FREQUENCY	28-Nov-18	09761	EH



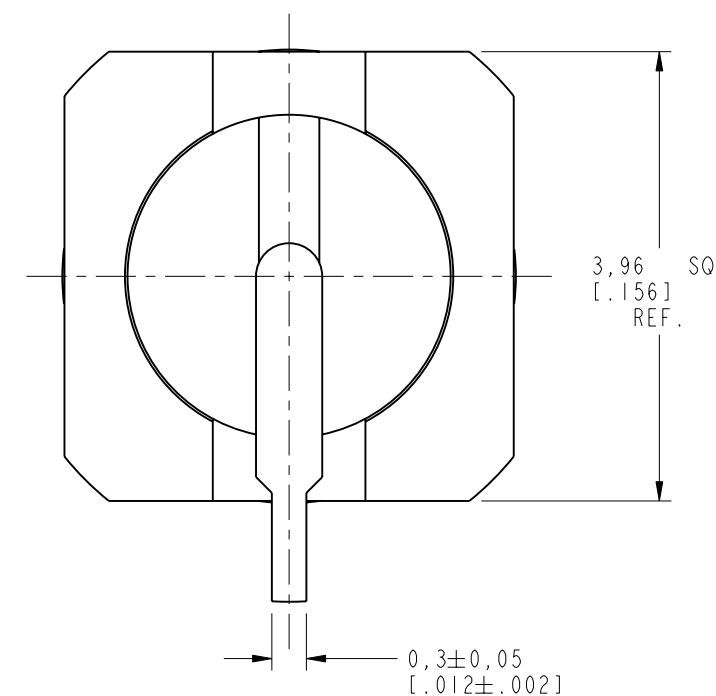
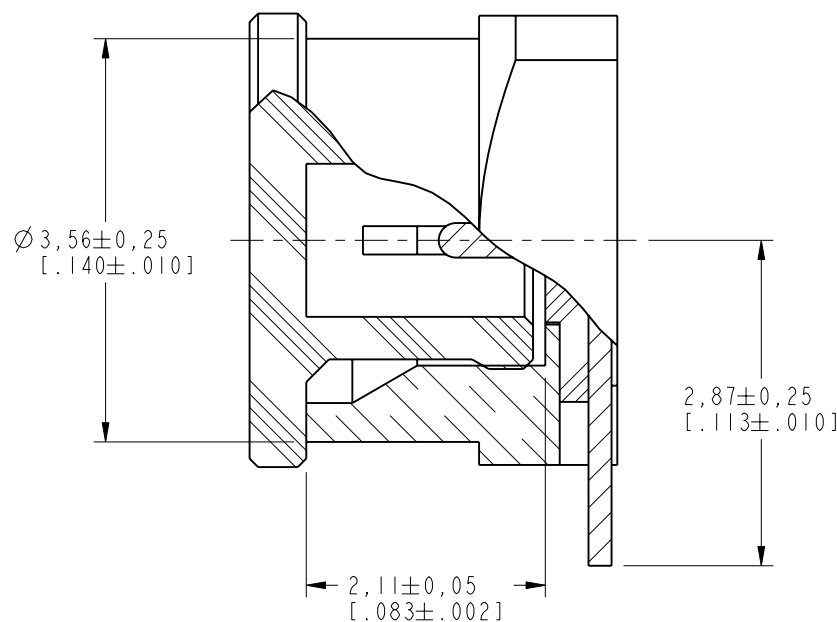
SCALE 8.000



RECOMMENDED PCB LAYOUT

DESIGNED FOR USE WITH .0100" THICK ROGERS 4350 PCB MATERIAL

THESE DIMENSIONS MAY VARY DEPENDING ON PCB MATERIAL USED



CUSTOMER OUTLINE DRAWING

ALL OTHER SHEETS ARE FOR INTERNAL USE ONLY

UNLESS OTHERWISE SPECIFIED, DIMENSIONS ARE IN METRIC AND TOLERANCES ARE:
 <0.5mm ±0.05mm 0.5 - 6mm ±0.1mm 6 - 30mm ±0.2mm 30 - 120mm ±0.3mm ANGLES ±1°

NOTICE - These drawings, specifications, or other data (1) are, and remain the property of Amphenol corp. (2) must be returned upon request; and (3) are confidential and not to be disclosed to any person other than those to whom they are given by Amphenol Corp. the furnishing of these drawings, specifications, or other data by Amphenol Corp., or to any other person to anyone for any purpose is not to be regarded by implication or otherwise in any manner licensing, granting rights to permitting such holder or any other person to manufacture, use or sell any product, process or design, patented or otherwise, that may in any way be related to or disclosed by said drawings, specifications, or other data.

MATERIAL	SEE NOTES
REFERENCE	EAR #5317 GEN# ASSYM3.SMPM FINISH

DRAWN	W. ZENG	DATE	29-Nov-18
ENGINEER	S. DUAN	DATE	29-Nov-18
APPROVED	FIGO	DATE	29-Nov-18
CAD FILE			

TITLE		SMPM MALE, SURFACE MOUNT, SMOOTH BORE, T&R	
SCALE:	15.0:1.0	SHEET	2 OF 2
DWG SIZE	B	REV	B

Amphenol RF	
www.amphenolrf.com	
DRAWING NO.	925-144J-51PT
ITEM NO.	925-144J-51PT
PART NO.	925-144J-51PT