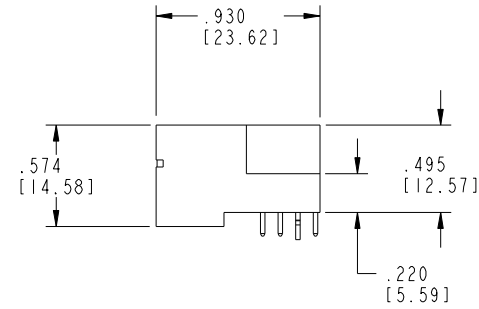
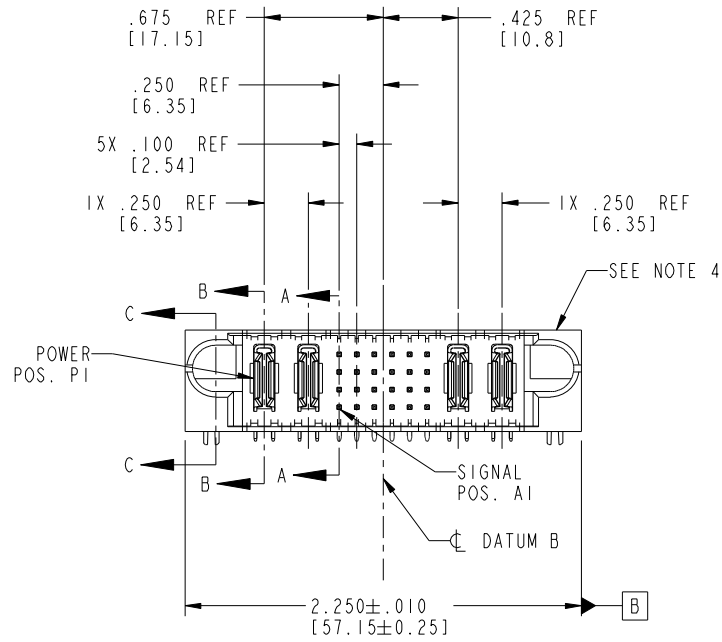


Tous droits strictement réservés. Reproduction ou communication à des tiers interdite sous quelque forme que ce soit sans autorisation écrite du propriétaire. Propriété de c.FCI. Droits de reproduction FCI.



All rights strictly reserved. Reproduction or issue to third parties in any form whatever is not permitted without written authority from the proprietor. Property of FCI. Copyright FCI.

PRODUCT NO.	ROWS	POWER		SIGNAL						POWER		E2	
		E1	P1	P2	1	2	3	4	5	6	P3		P4
51730-062	D C B A												
Note: ③													



CODE	DIM "M" MATING LENGTH	CONTACT TYPE
E	.220 [5.59]	SIGNAL
F	.220 [5.59]	SIGNAL
G	.220 [5.59]	SIGNAL
H	.220 [5.59]	SIGNAL
R	.270 [6.86]	SIGNAL
S	.270 [6.86]	SIGNAL
T	.270 [6.86]	SIGNAL
U	.270 [6.86]	SIGNAL
PA	N/A [N/A]	POWER
HA	N/A [N/A]	HOLD-DOWN

mat'l code				SEE NOTE 2		tolerances unless otherwise specified		CUSTOMER		FCI		www.fciconnect.com	
ltr	ecn no.	dr	date	linear	.XX±.01/0.X±0.3	projection	COPY	title		2P + 24S + 2P		code	
A	V21831	CGD	11/27/02	angles	.XXX±.005/0.XX±0.13	INCH/MM	projection	RIGHT ANGLE SOLDER HEADER		product family		PwrBlade	
B	DG05-0123	SJ	05/24/05	dr	.XXX±.002/0.XXX±0.051	scale	1:1	size		dwg no		213	
C	DG05-0397	CS	10/18/05	chr	0°±2°	A		51730-062		sheet		1 of 4	
D	DG05-0454	CS	11/11/05	appr									
E	DG08-0253	SH	09/13/08										
sheet index		revision sheet		E	E	E	E						
1		2		3	4								

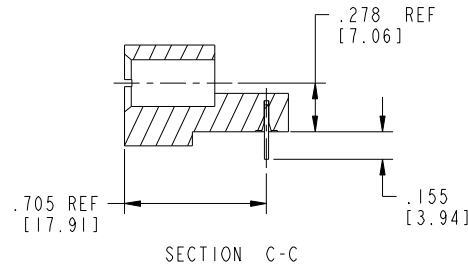
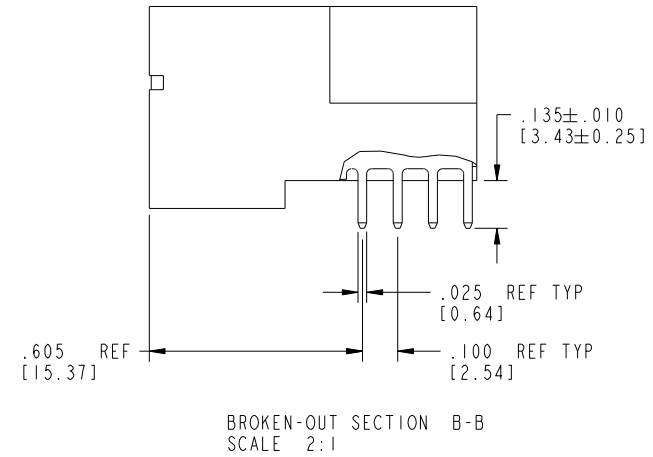
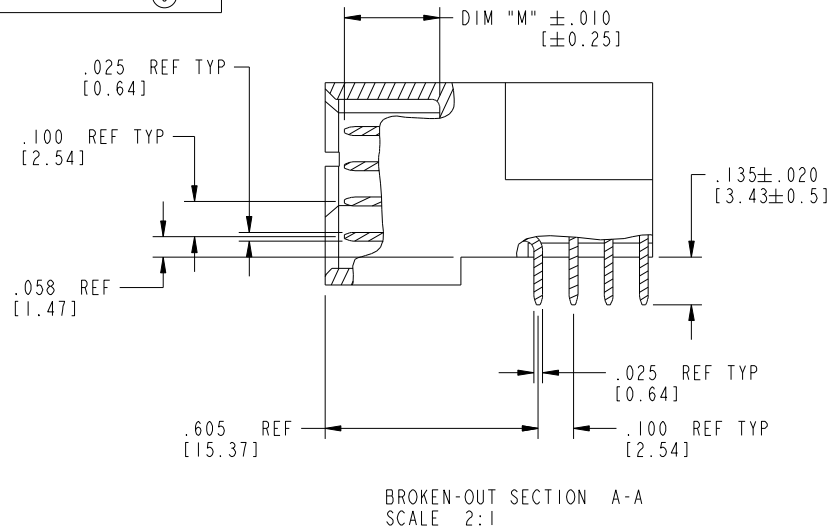
cage code 22526

Pro/E

Tous droits strictement réservés. Reproduction ou communication à des tiers interdite sous quelque forme que ce soit sans autorisation écrite du propriétaire. Propriété de c.FCI. Droits de reproduction FCI.

All rights strictly reserved. Reproduction or issue to third parties in any form whatever is not permitted without written authority from the proprietor. Property of FCI. Copyright FCI.

PRODUCT NUMBER
51730-062--
Note: ③



mat'l code		SEE NOTE 2		tolerances unless otherwise specified		CUSTOMER		FCI	
ltr	ecn no.	dr	date	linear	.XX±.01/0.X±0.3	COPY		www.fciconnect.com	
E				linear	.XXX±.005/0.XX±0.13	projection		title 2P + 24S + 2P	
				angles	.XXX±.0020/0.XXX±0.051			RIGHT ANGLE SOLDER HEADER	
				dr	0°±2°	INCH/MM		product family PwrBlade code 213	
				enr	C. DAILY 11/27/02	scale 1:1		size dwg no 51730-062 sheet 2 of 4	
				chr	M. MOSTOLLER 11/27/02				
				appd	M. MOSTOLLER 11/27/02				
sheet index	revision sheet								

cage code 22526

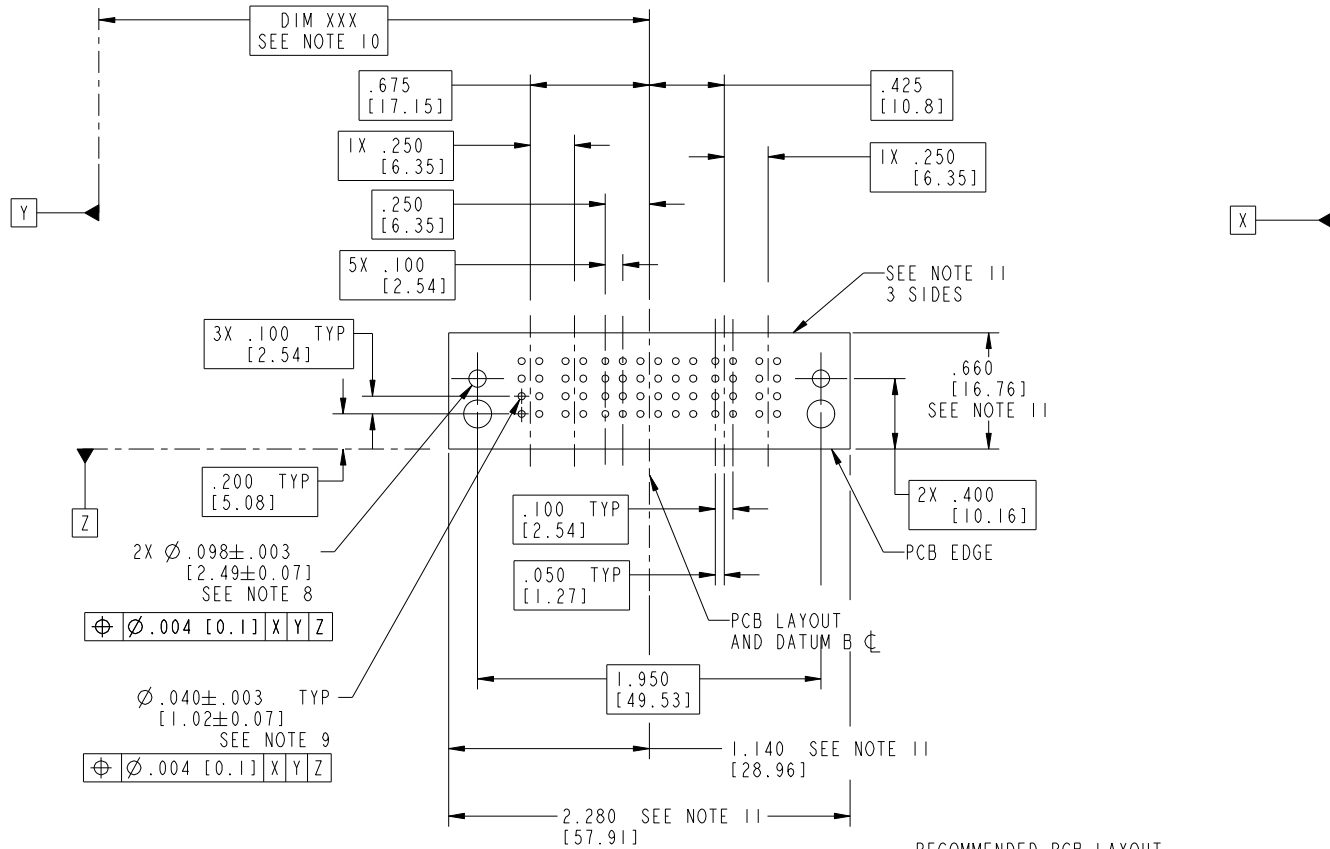
Pro/E

Tous droits strictement reserves. Reproduction ou communication a des tiers interdite sous quelque forme que ce soit sans autorisation écrite du propriétaire. Propriete de c FCI. Droits de reproduction FCI.



All rights strictly reserved. Reproduction or issue to third parties in any form whatever is not permitted without written authority from the proprietor. Property of FCI. Copyright FCI.

PRODUCT NUMBER
51730-062--
Note: ③



RECOMMENDED PCB LAYOUT

mat'l code		SEE NOTE 2		tolerances unless otherwise specified		CUSTOMER		FCI		www.fciconnect.com		
ltr	ecn no.	dr	date	linear	.XX±.01/0.X±0.3	COPY		projection		title		
E				angles	.XXX±.005/0.XX±0.13	INCH/MM		RIGHT ANGLE SOLDER HEADER		2P + 24S + 2P		
				chr	.XXX±.0020/0.XXX±0.051	scale		product family		code		
				appr	0°±2°	1:1		PwrBlade		213		
					C. DAILY 11/27/02			size		sheet		
					M. MOSTOLLER 11/27/02			dwg no		3 of 4		
					M. MOSTOLLER 11/27/02			A		51730-062		
					M. MOSTOLLER 11/27/02							
sheet index	revision sheet											

cage code 22526

Pro/E

Tous droits strictement reserves. Reproduction ou communication a des tiers interdite sous quelque forme que ce soit sans autorisation écrite du propriétaire. Propriete de c FCI. Droits de reproduction FCI.



All rights strictly reserved. Reproduction or issue to third parties in any form whatever is not permitted without written authority from the proprietor. Property of FCI. Copyright FCI.

PRODUCT NUMBER
51730-062--
Note: ③

NOTES:

1. DIMENSIONS AND TOLERANCES ARE IN ACCORDANCE WITH ASME Y14.5M, 1994 UNLESS OTHERWISE SPECIFIED.

CONNECTOR NOTES:

2. HOUSING MATERIAL: UL 94 V-0 GLASS FILLED HIGH-TEMP THERMOPLASTIC
POWER CONTACT MATERIAL: COPPER ALLOY
SIGNAL PIN MATERIAL: COPPER ALLOY

3. PLATING:
△ SEE ITEM 1 & 2 IN PRINT 10064183 FOR PLATING SPEC OF 51730-062 AND 51730-062LF RESPECTIVELY

4. MANUFACTURER'S NAME, P/N, AND DATE CODE TO APPEAR ON THIS SURFACE.

5. PRODUCT SPECIFICATION GS-12-149.
APPLICATION SPECIFICATION BUS-20-067.

6. PACKAGED IN TRAYS.

PCB NOTES:

7. ALL HOLE DIAMETERS ARE FINISHED HOLE SIZE.

8. MOUNTING HOLES, WHERE APPLICABLE, ARE UNPLATED.

9. $\varnothing .0453 \pm .0010$ [1.151 ± 0.025] DRILLED HOLES PLATED WITH .0003 [0.008] MIN SnPb OVER .001 [0.03] TO .003 [0.08] Cu PLATING TO ACHIEVE $\varnothing .040 \pm .003$ [1.02 ± .07] HOLE.

10. "DIM XXX" TO BE DETERMINED BY THE CUSTOMER.

11. CONNECTOR KEEP-OUT ZONE.

12. A △ SYMBOL WILL BE NEXT TO ANY DIMENSION, VIEW, OR NOTE WHICH HAS BEEN MODIFIED WITH CURRENT DRAWING VERSION.

mat'l code		SEE NOTE 2		tolerances unless otherwise specified		CUSTOMER		FCI		www.fciconnect.com	
ltr	ecn no.	dr	date	linear	.XX±.01/0.X±0.3		COPY		projection	title	
E					.XXX±.005/0.XX±0.13		INCH/MM			2P + 24S + 2P	
				angles	.XXX±.0020/0.XXX±0.051		INCH/MM		RIGHT ANGLE SOLDER HEADER		
					0° ± 2°		scale		product family		
				dr	C. DAILY 11/27/02		1:1		PwrBlade		
				enrg	M. MOSTOLLER 11/27/02		size		code		
				chr	M. MOSTOLLER 11/27/02		dwg no		213		
				appd	M. MOSTOLLER 11/27/02		A		sheet		
sheet index		revision sheet						51730-062		4 of 4	

cage code 22526

Pro/E