

推奨基板寸法
RECOMMENDED P.C.B
PATTERN LAYOUT

注記
NOTES

- 材質 MATERIAL
ハウジング : 液晶ポリマー-UL94V-0
HOUSING : LIQUID CRYSTAL POLYMER [LCP]
UL94V-0
ターミナル : 銅合金
TERMINAL : COPPER ALLOY
ネール : 銅合金
NAIL : COPPER ALLOY
- メッキ仕様 PLATING
接点部 : 金メッキ 0.1 μm
CONTACT AREA : GOLD PLATING 0.1 μm
半田付け部 : 金メッキ 0.1 μm
SOLDER TAIL AREA : GOLD PLATING 0.1 μm
ネール : 錫-銅メッキ 1.0 μm
NAIL : TIN-COPPER PLATING 1.0 μm
下地メッキ : ニッケルメッキ 0.5 μm
パラジウム-ニッケルメッキ 0.2 μm
UNDER PLATING : NICKEL PLATING 0.5 μm
PALLADIUM-NICKEL PLATING 0.2 μm
- テール及びネールの平坦度は 0.1 以下
TAIL AND NAIL COPLANARITY : 0.1 MAX.
- 嵌合相手 : 500024-**19
MATE WITH : 500024-**19

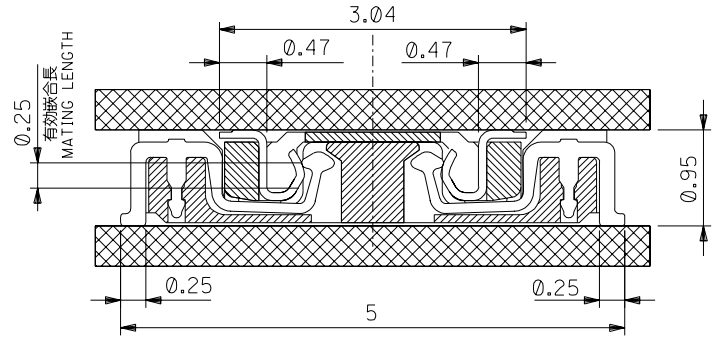
6.5	4.4	500027-2419	24
4.9	2.8	500027-1619	16
A	B	MATERIAL No.	CIRCUIT

LEAD FREE

DO NOT SCALE DRAWING

EC NO. DRWN: CHK: APPR:	EC NO. DRWN: CHK: APPR:	REVISED	MATERIAL 材料	GENERAL TOLERANCES: (UNLESS SPECIFIED) 一般公差	SCALE 10-1	DESIGN UNITS <input checked="" type="checkbox"/> mm <input type="checkbox"/> INCH	THIRD ANGLE PROJECTION	DIMENSIONS:		SHT	REV
		EC NO. J2004-2809 DRWN: THIRATA '04/03/02 CHK: MSASAO '04/03/02 APPR: MSASAO '04/03/02						FINISH 仕上り	<input type="checkbox"/> mm <input type="checkbox"/> INCH		
B	A	0	#	10 UNDER 未満	±0.2	DRAWN BY & DATE T. Kirata 03/07/21		TITLE: 0.4mm PITCH B/B CONN. H=0.95mm PLUG HS'G ASS'Y			
EC NO. J2004-0348 DRWN: THIRATA '03/08/07 CHK: MSASAO '03/08/07 APPR: MSASAO '03/08/07	REVISED	RELEASD	#	10 OVER 30 UNDER 以上 未満	±0.25	CHECKED BY & DATE H. Sasa 03/07/21					
EC NO. J2004-0185 DRWN: THIRATA '03/07/21 CHK: MSASAO '03/07/21 APPR: MSASAO '03/07/21	REVISED	0	#	30 OVER 以上	±0.3	APPROVED BY & DATE H. Sasa 03/07/21		MOLEX INCORPORATED			
EC NO. J2004-0185 DRWN: THIRATA '03/07/21 CHK: MSASAO '03/07/21 APPR: MSASAO '03/07/21	REVISED	0	#	ANGLE 角度	±3°	CAD FILENAME SD-500027-012.S01					
8	7	6	5	4	3	THIS DRAWING CONTAINS INFORMATION THAT IS PROPRIETARY TO MOLEX INCORPORATED AND SHOULD NOT BE USED WITHOUT WRITTEN PERMISSION.				SIZE B	

DWG. NO.
SD-500027-012



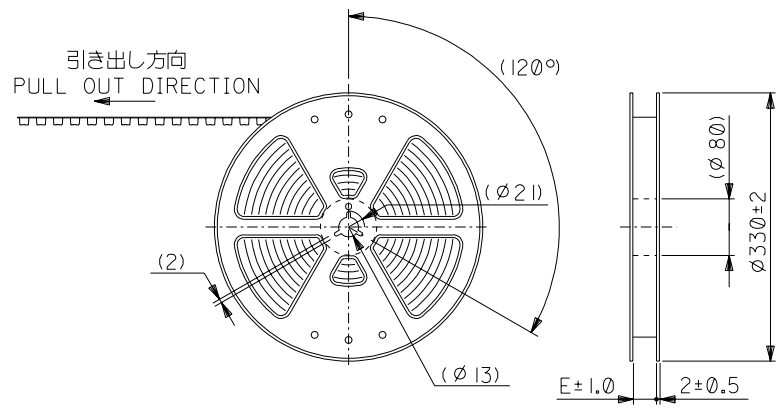
嵌合断面图 (参考)
MATED DRAWING

DO NOT SCALE DRAWING

EC NO. DRWN: CHK: APPR:	EC NO. DRWN: CHK: APPR:	EC NO. DRWN: CHK: APPR:	EC NO. DRWN: CHK: APPR:	EC NO. DRWN: CHK: APPR:	SEE SHEET 1 OF 2	MATERIAL 材料	#	GENERAL TOLERANCES: (UNLESS SPECIFIED) 一般公差	SCALE	10-1	DESIGN UNITS	<input checked="" type="checkbox"/> mm <input type="checkbox"/> INCH	DIMENSIONS: <input type="checkbox"/> mm <input type="checkbox"/> INCH <input checked="" type="checkbox"/> mm ONLY	SHT	REV
						FINISH 仕上り	#		10 UNDER 未満	±0.2	DRAWN BY & DATE	J. Kirata 03/07/21		TITLE: 0.4mm PITCH B/B CONN. H=0.95mm PLUG HS'G ASS'Y	REVISION ON CAD ONLY
						WIRE RANGE 適用電線範囲	#		10 OVER 30 UNDER 以上 未満	±0.25	CHECKED BY & DATE	H. Sasaki 03/07/21			
						INS. RANGE 被覆外径	#		30 OVER 以上	±0.3	APPROVED BY & DATE	H. Sasaki 03/07/21			
						ANGLE	角度		±3°	CAD FILENAME	SD-500027-012.S02	MATERIAL NO.		DRAWING NO.	SHEET NO.
THIS DRAWING CONTAINS INFORMATION THAT IS PROPRIETARY TO MOLEX INCORPORATED AND SHOULD NOT BE USED WITHOUT WRITTEN PERMISSION.										SEE THE CHART	SD-500027-012	2	SIZE	B	

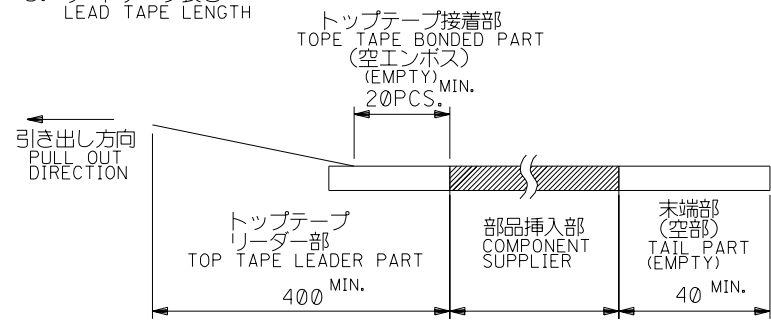
SD-500027-012.S02

DWG. NO. SD-500027-013



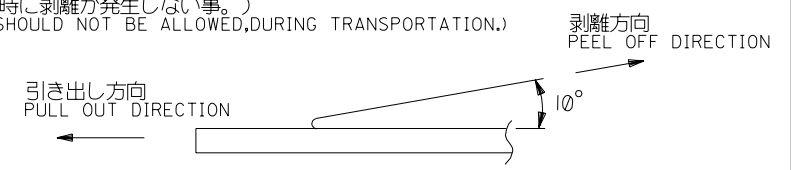
注)
NOTES

- 製品番号500027-***19 詳細寸法については、製品単体図面を参照下さい。
IN THE PACKAGE PART NUMBER 500027-***19 DETAILED DIMENSIONS, SEE SALES DRAWING FOR CONNECTOR.
- 梱包数量：2000個/リール
NUMBER OF CONNECTORS : 2000 PCS/REEL.
- リードテープ長さ
LEAD TAPE LENGTH



- トップテープの剥離強度：(剥離方向は下図参照)
PEELING OFF FORCE OF TOP TAPE (PELLING DIRECTION AS SHOWN IN FOLLOWING FIGURE.)
0. 1~1. 3N (10~130gf)

尚、本規格値は、出荷時に適用。
THIS REQUIREMENT SHOULD BE APPLIED AT SHIPMENT.
(但し、輸送時に剥離が発生しない事。)
(PEEL OFF SHOULD NOT BE ALLOWED, DURING TRANSPORTATION.)

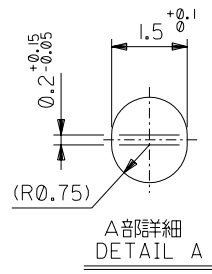
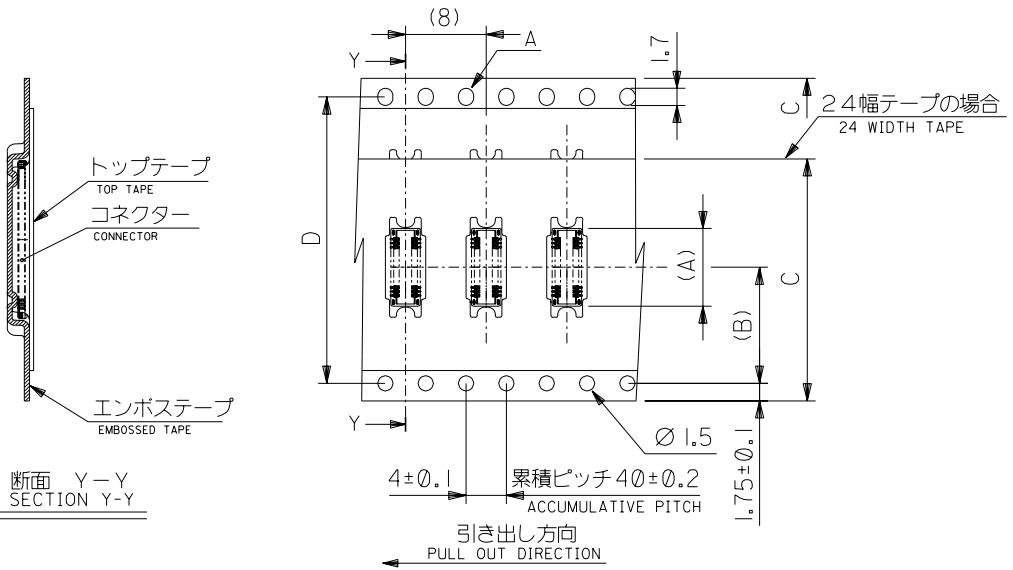


- 材料
MATERIAL
キャリアテープ：ポリプロピレン (PP)
CARRIER TAPE: POLYPROPYLENE (PP)
トップテープ：PET, PE, PEF
TOP TAPE: PET, PE, PEF
リール：ポリスチレン
REEL : POLYSTYRENE

DO NOT SCALE DRAWING

EC NO. DRWN: CHK: APPR:	REVISED EC NO. J2004-2809 DRWN: THIRATA 04/03/02 CHK: MSASAO 04/03/02 APPR: MSASAO 04/03/02	REVISED EC NO. J2004-2070 DRWN: THIRATA 04/02/10 CHK: MSASAO 04/02/10 APPR: MSASAO 04/02/10	REVISED EC NO. J2004-1582 DRWN: THIRATA 03/12/18 CHK: MSASAO 03/12/18 APPR: MSASAO 03/12/18	RELEASED EC NO. J2004-0185 DRWN: THIRATA 03/07/21 CHK: MSASAO 03/07/21 APPR: MSASAO 03/07/21	DESCRIPTION	MATERIAL 材料 注記参照 SEE NOTES	GENERAL TOLERANCES: (UNLESS SPECIFIED) 一般公差	SCALE NONE	DESIGN UNITS <input checked="" type="checkbox"/> mm <input type="checkbox"/> INCH	THIRD ANGLE PROJECTION	DIMENSIONS: <input type="checkbox"/> mm <input type="checkbox"/> INCH <input checked="" type="checkbox"/> mm ONLY	SHT REVISE ON CAD ONLY	REV
	C	B	A	0		FINISH 仕上げ 注記参照 SEE NOTES	10 UNDER 未満 ±0.2	DRAWN BY & DATE J. Kirata 03/07/21	TITLE: 500027-***19 TAPING PACKAGE				
						WIRE RANGE 適用 線径範囲	10 OVER 30 UNDER 以上 未満 ±0.25	CHECKED BY & DATE H. Saito 03/07/21					
						INS. RANGE 被覆外径	30 OVER 以上 ±0.3	APPROVED BY & DATE H. Saito 03/07/21					
							ANGLE 角度 ±3°	CAD FILENAME SD-500027-013.S01					
THIS DRAWING CONTAINS INFORMATION THAT IS PROPRIETARY TO MOLEX INCORPORATED AND SHOULD NOT BE USED WITHOUT WRITTEN PERMISSION.											SIZE B		

SD-500027-013.S01



6.5	11.5	24±0.3	—#—	25.5	500027-2419	500027-2411	24
4.9	11.5	24±0.3	—#—	25.5	500027-1619	500027-1611	16
(A)	(B)	C	D	E	CONNECTOR	MATERIAL No.	CIRCUIT

LEAD FREE

DO NOT SCALE DRAWING

EC NO. DRWN: CHK: APPR:	EC NO. DRWN: CHK: APPR:	EC NO. DRWN: CHK: APPR:	EC NO. DRWN: CHK: APPR:	EC NO. DRWN: CHK: APPR:	REV
C	B	A	0		
MATERIAL 材料 注記参照 SEE NOTES					
FINISH 仕上げ 注記参照 SEE NOTES					
WIRE RANGE 適用電線範囲 —#—					
INS. RANGE 被覆外径 —#—					

GENERAL TOLERANCES: (UNLESS SPECIFIED) 一般公差	SCALE	DESIGN UNITS <input checked="" type="checkbox"/> mm <input type="checkbox"/> INCH	THIRD ANGLE PROJECTION <input type="checkbox"/> mm <input type="checkbox"/> INCH <input checked="" type="checkbox"/> mm ONLY	SHT	REV
10 UNDER 未満 ±0.2					
10 OVER 30 UNDER 未満 ±0.25					
30 OVER 以上 ±0.3					
ANGLE 角度 ±3°					
DRAWN BY & DATE T. Kirata 03/07/21			TITLE: 500027-**19 TAPING PACKAGE		
CHECKED BY & DATE M. Saito 03/07/21			MATERIAL NO. DRAWING NO. SHEET NO. SEE CHART SD-500027-013 SD-500027-013 2		
APPROVED BY & DATE M. Saito 03/07/21			MATERIAL NO. DRAWING NO. SHEET NO. SEE CHART SD-500027-013 SD-500027-013 2		
THIS DRAWING CONTAINS INFORMATION THAT IS PROPRIETARY TO MOLEX INCORPORATED AND SHOULD NOT BE USED WITHOUT WRITTEN PERMISSION.					
					SIZE B