

ITEM	PART#	DESCRIPTION	QTY	UOM
A,B	5055700601	2.0W/B SINGLE REC HSG 6CKT BLK	2	PC
C	5055721000	2.0W/B REC CRIMP TERM CHAIN H>F	12	PC
D	--	PAPER PRINTED PAPER WHITE	1	PC

FROM	TO	DESCRIPTION	COLOR
A1	B6	1X22AWG DISC SR-PVC BK UL10002	BLACK
A2	B5	1X22AWG DISC SR-PVC BK UL10002	BLACK
A3	B4	1X22AWG DISC SR-PVC BK UL10002	BLACK
A4	B3	1X22AWG DISC SR-PVC BK UL10002	BLACK
A5	B2	1X22AWG DISC SR-PVC BK UL10002	BLACK
A6	B1	1X22AWG DISC SR-PVC BK UL10002	BLACK

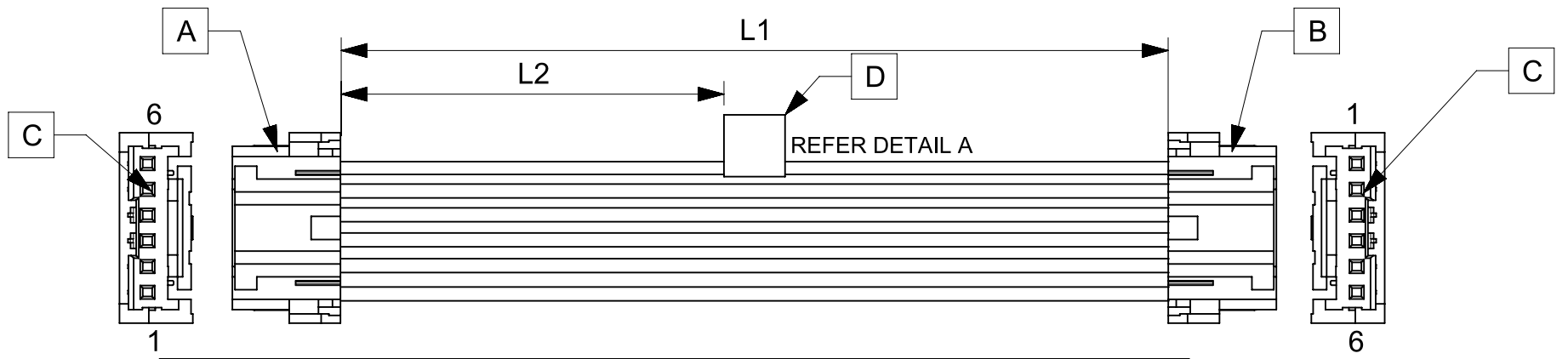


TABLE			
PART NUMBER	L1	L2(REF)	TITLE
2181011060	50±3	12	MICROLOCK PLUS 2.0 RR 6CKT 50MM DISC Sn
2181011061	100±5	37	MICROLOCK PLUS 2.0 RR 6CKT 100MM DISC Sn
2181011062	150±8	62	MICROLOCK PLUS 2.0 RR 6CKT 150MM DISC Sn
2181011063	300±10	137	MICROLOCK PLUS 2.0 RR 6CKT 300MM DISC Sn
2181011064	600±10	287	MICROLOCK PLUS 2.0 RR 6CKT 600MM DISC Sn

MOLEX P/N
MOLEX
BATCH WK/YR
DETAIL A

REVISION			
DATE	REV	DESCRIPTION	CHANGER
2021/03/12	A	INITIAL RELEASE	AS20

NOTES

- CONNECTOR VIEW SHOWN IS FROM MATING SIDE.
- LABEL TEXT MUST BE 2MM MAX IN HEIGHT WITH ARIAL FONT.
- LABEL MUST BE WRAPPED IN FLAG TYPE.
- CABLE ASSEMBLY MUST BE TESTED 100% FOR CONTINUITY AND POLARITY.

FUNCTIONAL SYMBOLS FA = 0 FE = 0 FP = 0	THIS DRAWING CONTAINS INFORMATION THAT IS PROPRIETARY TO MOLEX ELECTRONIC TECHNOLOGIES, LLC AND SHOULD NOT BE USED WITHOUT WRITTEN PERMISSION	CURRENT REV DESC:		molex
	DIMENSION UNITS: mm	SCALE: NTS	GENERAL TOLERANCES (UNLESS SPECIFIED)	
DIVISIONAL SYMBOLS	ANGULAR TOL ± °	4 PLACES ±	EC NO: 665161	SEE TABLE
	3 PLACES ±	2 PLACES ±	DRWN: AS20 2021/03/12	
1 PLACE ±	0 PLACES ±	CHK'D: RDESAI01 2021/05/26	APPR: RDESAI01 2021/05/26	PRODUCT CUSTOMER DRAWING
DRAFT WHERE APPLICABLE MUST REMAIN WITHIN DIMENSIONS		THIRD ANGLE PROJECTION	DRAWING	DOCUMENT NUMBER
			SERIES	2181011060
			MATERIAL NUMBER	PSD
			CUSTOMER	000
			SHEET NUMBER	A
			A4-SIZE	218101
			SEE TABLE	GENERAL MARKET
			1 OF 1	

DOCUMENT STATUS	P1	RELEASE DATE	2021/05/26	12:08:19
-----------------	----	--------------	------------	----------