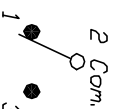
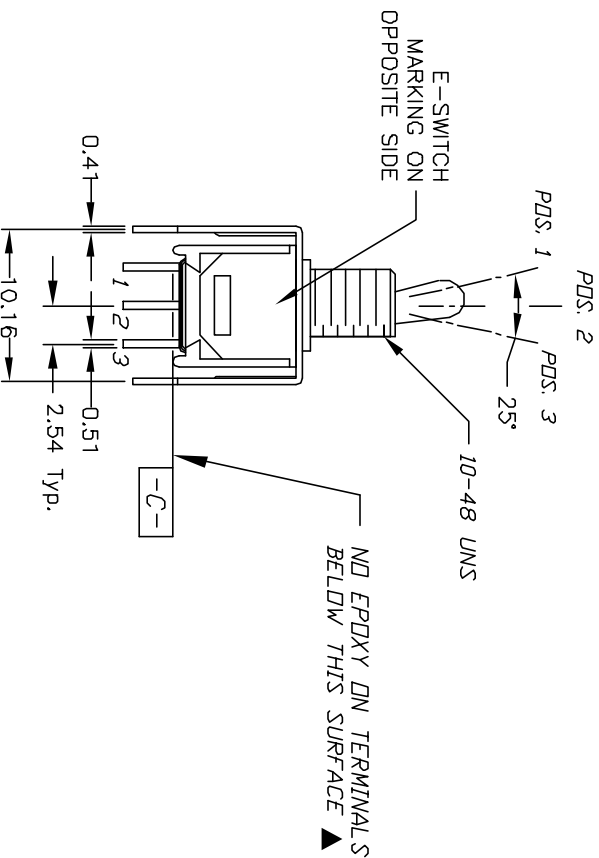
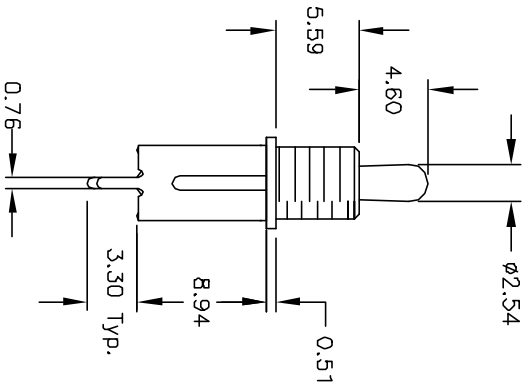


RECOMMENDED P.C.B. LAYOUT



CIRCUIT: SPDT  
CONTACT CONFIGURATION

SWITCH FUNCTION		
PDS. 1	PDS. 2	PDS. 3
DN	NONE	DN
2-3	DPEN	2-1

- NOTES:
1. ALL DIMENSIONS IN MM
  2. GENERAL TOLERANCE: X.X=±0.4  
X.XX=±0.25
  3. TERM. NOS. FOR REF. ONLY
  4. CONTACT RATING: 0.4 (VA) max. @20 VAC or DC max.
  5. FIXED TERMINAL & MOVING CONTACT: Cu alloy w/ Gold plate over Ni plate.
  6. ELECTRIC LIFE: 30,000 make-and-break cycles at full load.
  7. INSULATION RESISTANCE: 1,000 M ohm min.
  8. DIELECTRIC STRENGTH: 1,000 V RMS @sea level.
  9. OPERATING TEMP.: -30°C to 85°C

**E-SWITCH®**

REV. B		11538	REVISED ACTUATOR	6/13/01	CJB	TITLE	200 MSP-1 T2 B1 VS2 R E	SCALE	2:1	DATE	6/13/01	DR	CJB	DWG	T211077	REV	B
REV. B		ECN NO.	DESCRIPTION	DATE	CHKD	THE INFORMATION CONTAINED IN THIS DOCUMENT IS PROPRIETARY TO E-SWITCH AND IS NOT TO BE COPIED OR TRANSFERRED											