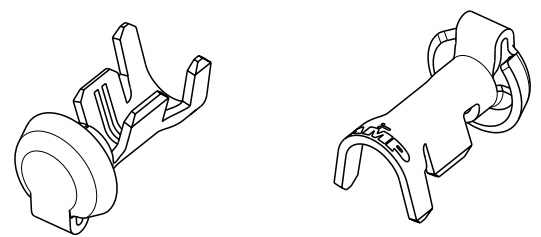
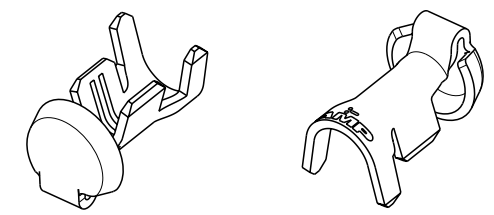
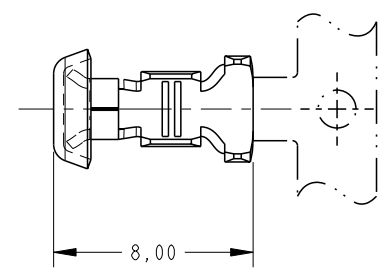


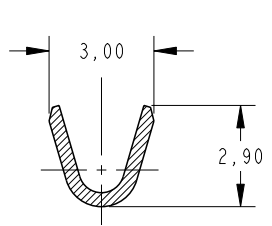
LOC	DIST	REVISIONS			
P	LTR	DESCRIPTION	DATE	DWN	APVD
AP	-	RELEASED BY ECO-11-007145	06APR2011	CRS	DAO



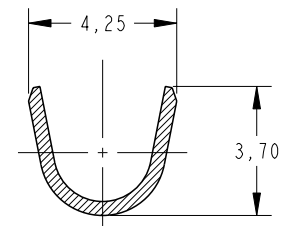
PERSPECTIVE VIEWS  
 1989906-3  
 1989906-4  
 SCALE 5:1



PERSPECTIVE VIEWS  
 1989906-1  
 1989906-2  
 SCALE 5:1

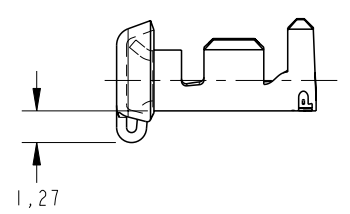
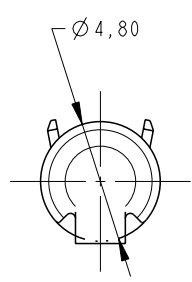
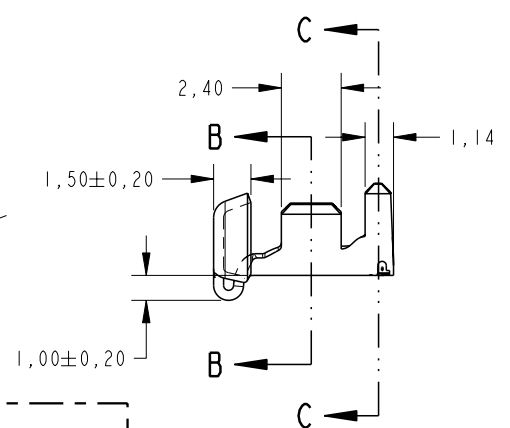
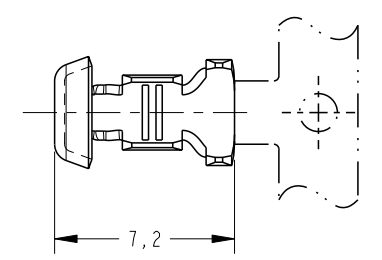


SECTION B-B



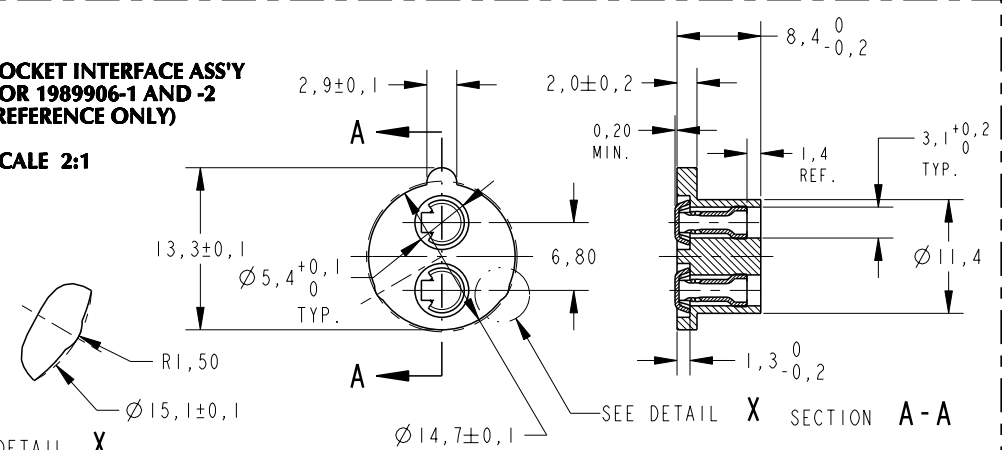
SECTION C-C

$\phi 4.50_{-0.20}^0$



**SOCKET INTERFACE ASS'Y  
 FOR 1989906-1 AND -2  
 (REFERENCE ONLY)**

SCALE 2:1



DETAIL X  
 SCALE 4:1

1 - É REQUERIDA A PRÉVIA APROVAÇÃO PELA ENGENHARIA DE PRODUTO TE PARA AUTORIZAÇÃO DE FORNECIMENTO DA PEÇA.  
 - TE PRODUCT ENGINEERING APPROVAL IS REQUIRED PRIOR TO AUTHORIZATION OF PART SUPPLY.

2,3 - 3,2	0,5 - 1,25	ESTANHADO / TIN PLATED NÚ / PLAIN	LATÃO / BRASS	1989906-4
		ESTANHADO / TIN PLATED NÚ / PLAIN		1989906-3
INSUL. RANGE mm	WIRE RANGE mm <sup>2</sup>	FINISH	MATERIAL	PART NUMBER

DIMENSIONS: mm [ INCHES ]		TOLERANCES UNLESS OTHERWISE SPECIFIED: 0 PLC ± 1 PLC ± 2 PLC ±0,3 3 PLC ± 4 PLC ± ANGLES ±° FINISH		DWN 07OCT2009 A. PERUSSI CHK 07OCT2009 M. GISOLDI APVD 01FEB2010 D. A. OLIVEIRA		Tyco Electronics TYCO ELECTRONICS BRASIL LTD. Sao Paulo, Brasil	
MATERIAL SEE TABLE		MATERIAL SEE TABLE		PRODUCT SPEC - / -		NAME BUTTON CONTACT, FLAT	
WEIGHT - / -		APPLICATION SPEC - / -		SIZE A2		CAGE CODE 00779	
CUSTOMER DRAWING		DRAWING NO 1989906		RESTRICTED TO - / -		SCALE 5:1 SHEET 1 OF 1 REV A	