

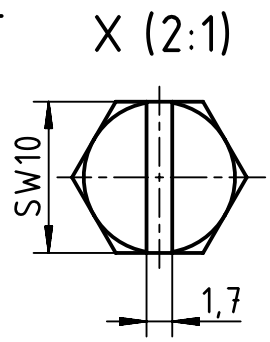
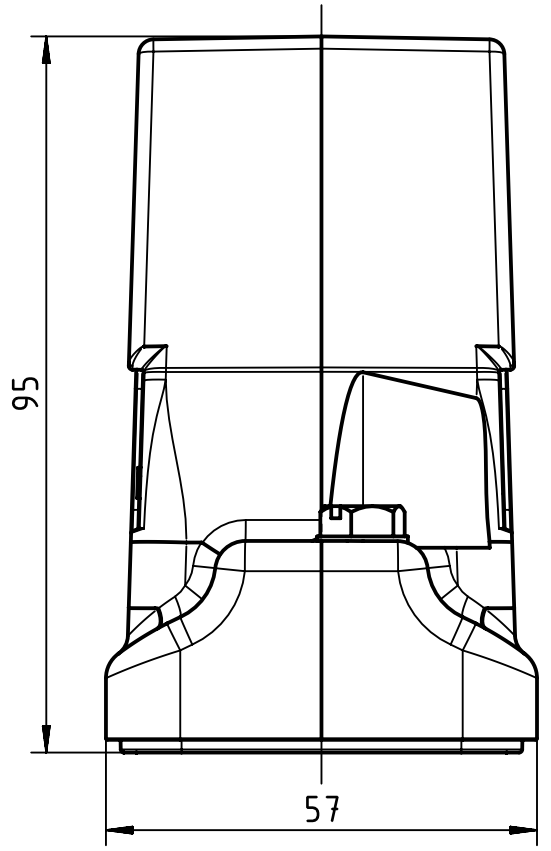
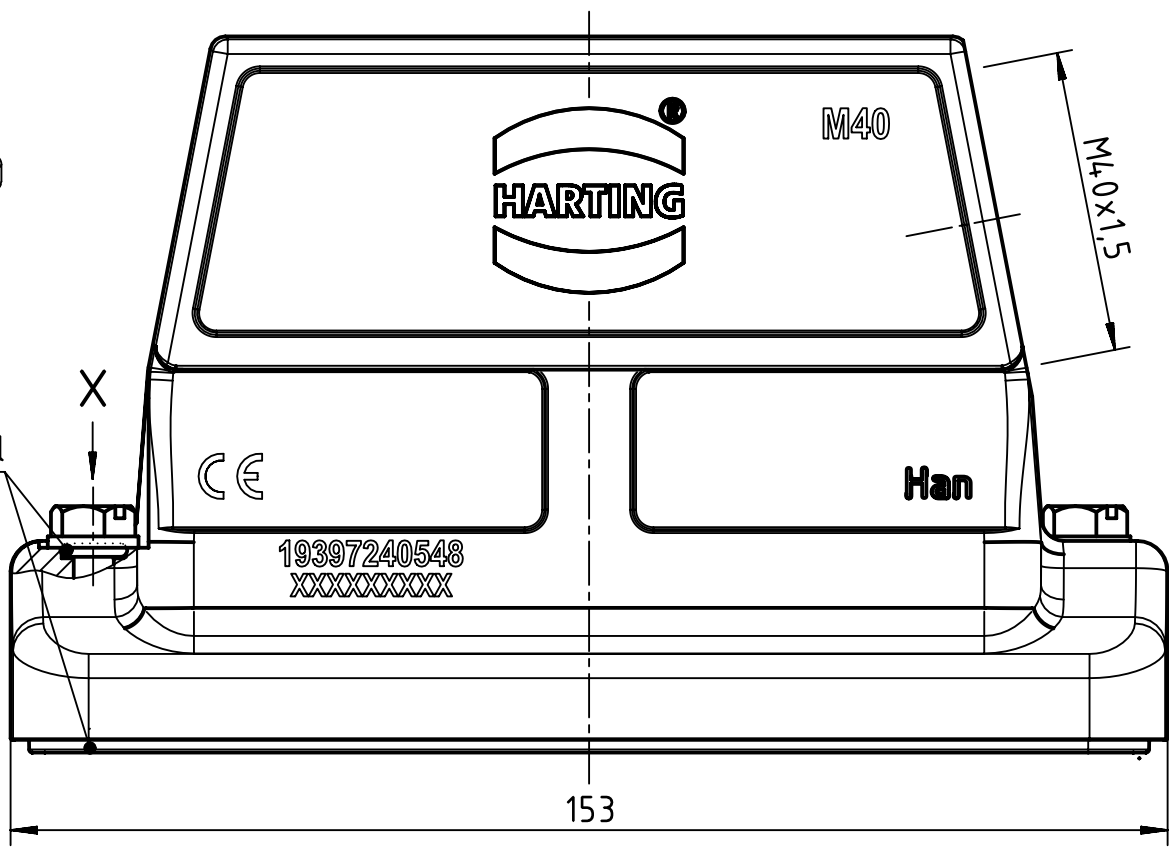
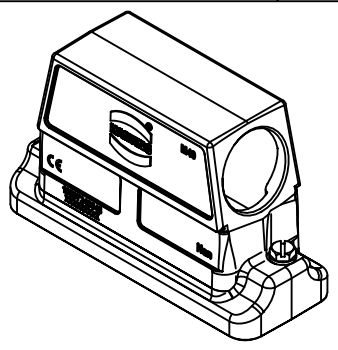
1 2 3 4 5 6

A

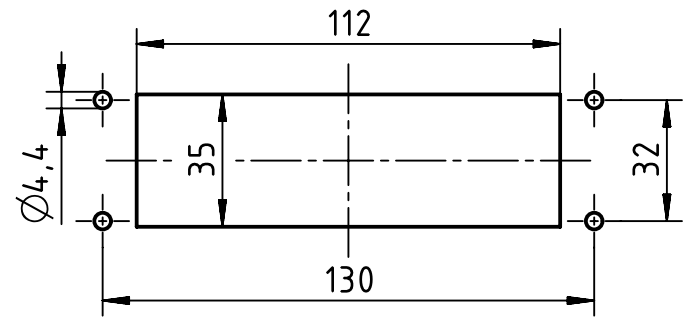
B

C

D



Panel cut out (1:2)



	All Dimensions in mm Original Size DIN A4		Scale 1:1	Free size tol.		Ref.
	All rights reserved Department EL PD		Created by ZHUANGJ	Inspected by LUOK	Standardisation 302077	Sub.
HARTING (Zhuhai) Manufacturing Co., Ltd. 519085 Zhuhai, China			Title Han 24HP Direct/M-HSE-M40		Date 2021-02-23	State Final Release
			Type TB	Number 19 39 724 0548		Doc-Key / ECM-Nr. 100664908/UGD/005/F 500000187461
					Rev. F	Page 1/1