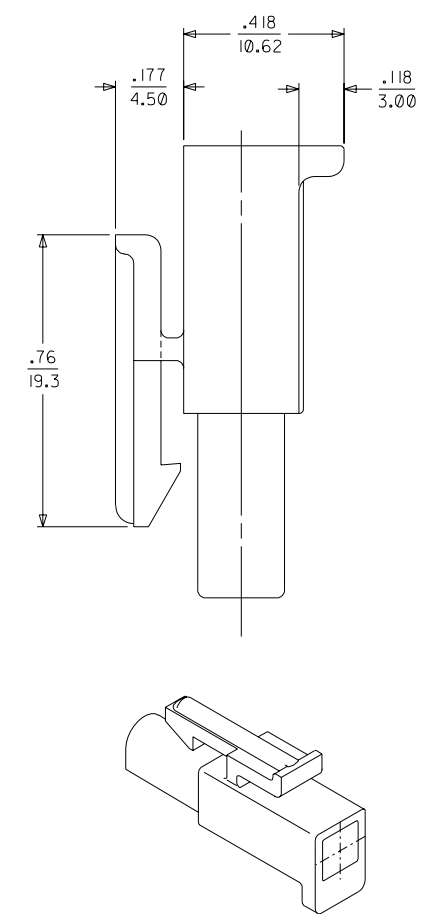
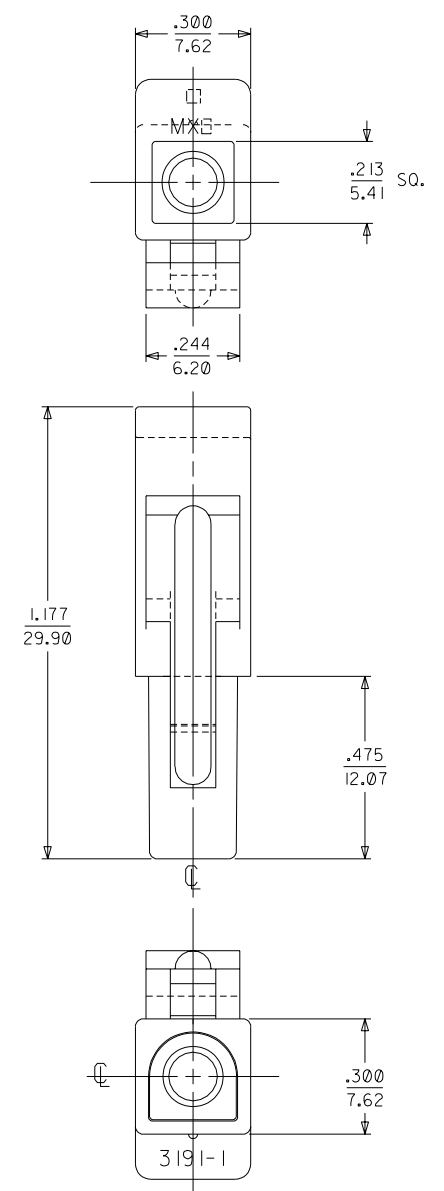


PLUG



RECEPTACLE

OBSOLETE 3191-1R1RD EC NO: LUCP2004-0423 DRWN: ELHAG 09/03/03 CHK: ELHAG 09/03/03 APPR: FSMITH 09/10/03	QUALITY SYMBOLS	GENERAL TOLERANCES: (UNLESS SPECIFIED)	SCALE 4 : 1	DESIGN UNITS <input type="checkbox"/> mm <input checked="" type="checkbox"/> INCH	THIRD ANGLE PROJECTION <input type="checkbox"/> mm <input checked="" type="checkbox"/> INCH <input type="checkbox"/> mm ONLY	DIMENSIONS: <input type="checkbox"/> mm <input checked="" type="checkbox"/> INCH <input type="checkbox"/> mm ONLY	2 E	E
	MAJOR $\blacktriangledown = 0$	4 PLACES $\pm 0.---$	$\pm .---$	DRAWN BY & DATE JBS 06/10/03	TITLE: .093/(2.36) HOUSING, PLUG AND RECEPTACLE, 1 - CIRCUIT	1 E	E	
	CRITICAL $\nabla C = 0$	3 PLACES $\pm 0.$	$\pm .010$	CHECKED BY & DATE BW 06/13/03	MATERIAL NO. SEE CHART	1 of 2	REV	REV
		2 PLACES ± 0.25	$\pm .014$	APPROVED BY & DATE BW 06/16/03	MATERIAL NO. SEE CHART	1 of 2		
		1 PLACE ± 0.36	$\pm .$	CAD FILENAME SD-3191-1.DGN	DRAWING NO. SD-3191-1*	1 of 2		
REV	DESCRIPTION	ANGULAR: $\pm 1^\circ$	DRAFT WHERE APPLICABLE MUST REMAIN WITHIN DIMENSIONS		THIS DRAWING CONTAINS INFORMATION THAT IS PROPRIETARY TO MOLEX INCORPORATED AND SHOULD NOT BE USED WITHOUT WRITTEN PERMISSION.		SIZE	C

