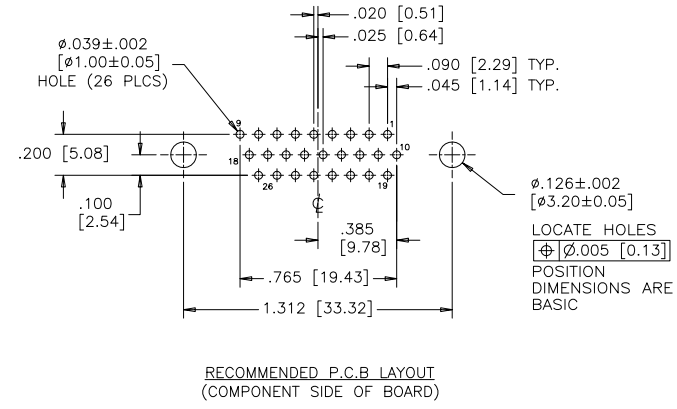
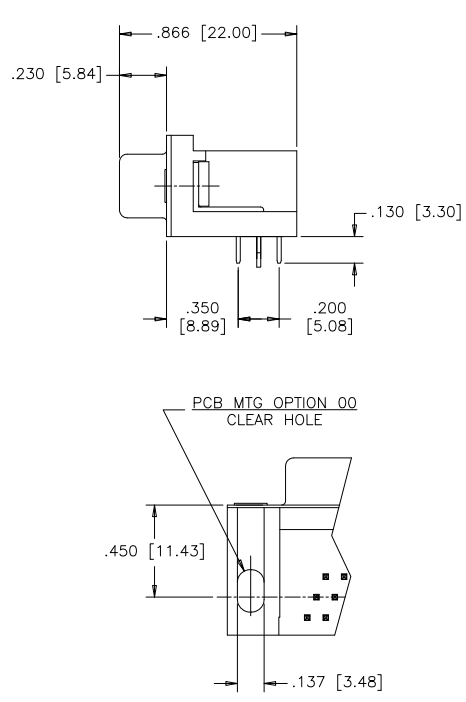
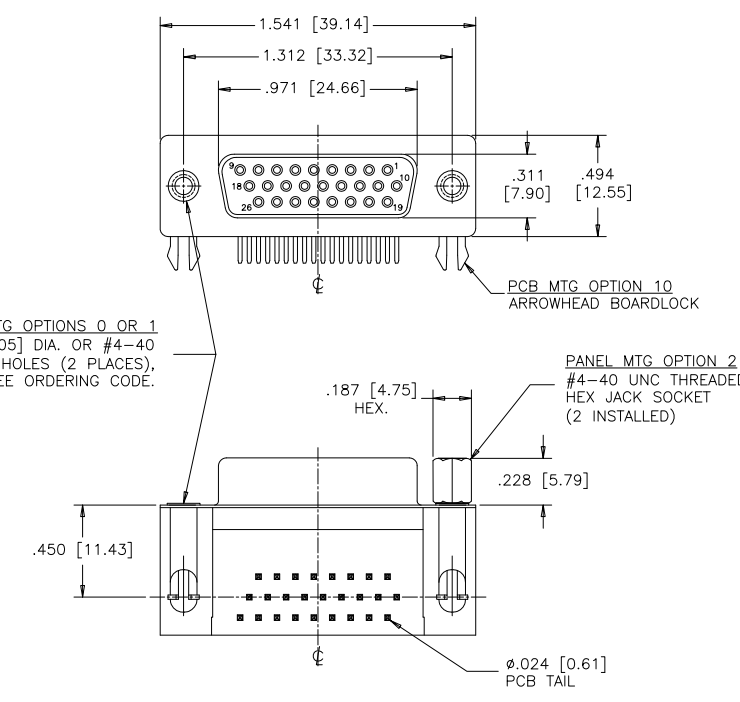


REVISIONS			
REV	ECN, ERN NO.	DATE	APPRD.
B	PRODUCT DRAWING (EAR 14658)	MAY4/18	K.L.



**ORDERING CODE:**  
**PART NUMBER:** 1 7 E B H - 0 2 6 S A M - 2 1 0

**SERIES** \_\_\_\_\_

**NUMBER OF CONTACTS** \_\_\_\_\_  
026

**STYLE** \_\_\_\_\_  
S= SOCKET

**CONTACT PLATING OPTIONS FOR ENGAGEMENT AREA**  
AA= 3µ" [0.08 MICRONS] GOLD FLASH  
CH= 15µ" [0.38 MICRONS] GOLD  
AM= 30µ" [0.76 MICRONS] GOLD

**PCB MOUNTING OPTIONS**  
00= CLEAR HOLE  
10= ARROWHEAD BOARDLOCK

**PANEL MOUNTING OPTIONS**  
0= .120 [3.05] CLEAR HOLE  
1= #4-40 THREADED HOLE  
2= #4-40 UNC THREADED HEX JACK SOCKETS

**SPECIFICATIONS:**

**MATERIALS:** ALL MATERIALS ARE RoHS COMPLIANT.

**SHELLS:** STEEL, NICKEL PLATED.

**INSERTS:** HIGH TEMPERATURE RESISTANT NYLON, GLASS REINFORCED, UL FLAMMABILITY RATING 94V-0, COLOUR: BLACK.

**CONTACTS:** COPPER ALLOY, GOLD PLATING (SEE ORDERING CODE) OVER 50µ" [1.27 MICRONS] NICKEL ON ENGAGEMENT AREA WITH 100µ" [2.54 MICRONS] MIN. MATTE TIN ON CONTACT TERMINALS.

**BOARDLOCK:** COPPER ALLOY, TIN PLATED.

**ELECTRICAL DATA:**

**CURRENT RATING:** 3 AMP

**CONTACT RESISTANCE:** 15 MILLIOHMS MAX.

**INSULATION RESISTANCE:** 5000 MEGOHMS MIN.

**DIELECTRIC WITHSTANDING VOLTAGE:** 1000 VAC rms

**OPERATING TEMPERATURE:** -55°C TO +105°C

THIS DOCUMENT CONTAINS PROPRIETARY INFORMATION AND SUCH INFORMATION MAY NOT BE DISCLOSED TO OTHERS FOR ANY PURPOSE OR USED FOR MANUFACTURING PURPOSES WITHOUT WRITTEN PERMISSION FROM AMPHENOL CANADA CORP.

DRAWN	J.LEE	DATE	DEC12/06
DESIGNED			
CHECKED	K.LAMBIE	DATE	DEC12/06
I. E. APPRD.			
Q. A. APPRD.			
DWG. APPRD.			
ENG. REL. NO.			
REF.	EAR 12992		
DIMENSIONS ARE IN	CODE ID. NO.		
INCHES [mm]	03554		

**Amphenol Canada Corp.**

TITLE: 17EBH SERIES HIGH DENSITY D-SUB CONNECTOR, 26 SIZE SOCKET, RIGHT ANGLE PCB CONTACTS, PLATING & MOUNTING OPTIONS, RoHS COMPLIANT

DWG	DRAWING NO.	REV.
C	P-17EBH-026SXX-XX0	B
SCALE	2/1	WT. _____
	SURF. _____	SHEET 1 OF 1