

6

5

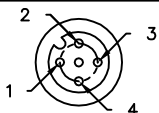
4

3

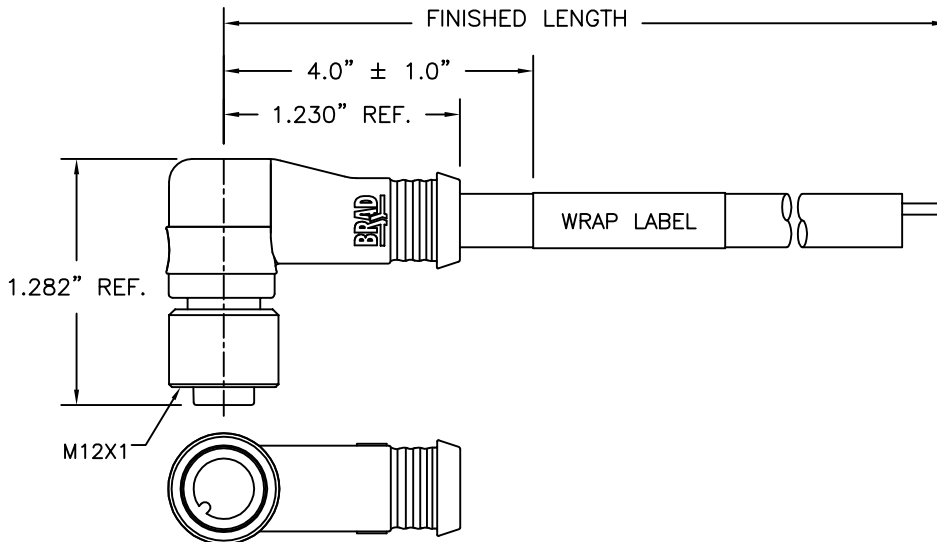
2

1

FEMALE FACE VIEW COLOR ROTATION



- 1 BLUE
- 2 BROWN
- 3 DRAIN
- 4 NOT USED(FOR GN/YE OPTION SEE SHEET 2)



NOTES:

MATERIALS:

MOLDED BODY:
COUPLER:

BLACK PVC
STAINLESS STEEL OR
NI PLATED BRASS
GOLD/NICKEL OVER
COPPER ALLOY
BLACK ZYTEL(NYLON)
RED NITRILE RUBBER

CONTACTS:

INSERT:
O-RING:

CABLE:

CABLE JACKET:
GAUGE:
CONDUCTOR INSULATION:
TEMPERATURE RANGE:

ORANGE PVC
18/3AWG
PVC (SEE PINOUT FOR COLORS)
-40° TO 105°C

ELECTRICAL:

CURRENT RATING:
VOLTAGE RATING:

4AMP MAX
250V

MECHANICAL:

INGRESS PROTECTION:

IP 67

AGENCY CERTIFICATIONS:

AGENCY:

CSA PENDING

MATERIAL NUMBER REFERENCE:

MATERIAL NUMBER	CONFIGURABLE PART NUMBER	FINISHED LENGTH	COUPLER STYLE
1300420033	804001D09M0208	2 METERS	HEX - 316 STAINLESS STEEL
1300420034	804001D09M0508	5 METERS	HEX - 316 STAINLESS STEEL
1300420035	804001D09M1008	10 METERS	HEX - 316 STAINLESS STEEL
1300420027	804001D09M020	2 METERS	KNURLED - NI PLATED BRASS
1300420028	804001D09M050	5 METERS	KNURLED - NI PLATED BRASS
1300420029	804001D09M100	10 METERS	KNURLED - NI PLATED BRASS

*PLEASE CALL TECHNICAL SUPPORT TO REQUEST VARIATIONS

UPDATE PER JM EC NO: WNA2009-0313 DRWN: LHARTMAN 2008/10/27 CHKD: YOU 2008/10/27 APPR: JFMURPHY 2008/11/10	QUALITY SYMBOLS	GENERAL TOLERANCES (UNLESS SPECIFIED)		DIMENSION STYLE		SCALE	DESIGN UNITS	THIRD ANGLE PROJECTION
	▽=0	mm	INCH	----	1:1	INCH		
	∇=0	4 PLACES ±---	±---	DRAWN BY DATE	TITLE			
		3 PLACES ±---	±---	LHARTMAN 2008/10/27	MICRO-CHANGE CORDSET FF 4 POLE FEMALE 90 DEG SHIELDED PVC CABLE			
	2 PLACES ±---	±---	CHECKED BY DATE	MOLEX INCORPORATED				
	1 PLACE ±---	±---	VOU 2008/10/27	APPROVED BY DATE		DOCUMENT NO.		
		ANGULAR ±---°	JFMURPHY 2008/10/27	MATERIAL NO.		SHEET NO.		
				SEE TABLE		SD-130042-002		
				SIZE A		1 OF 2		

DRAFT WHERE APPLICABLE
MUST REMAIN
WITHIN DIMENSIONS

THIS DRAWING CONTAINS INFORMATION THAT IS PROPRIETARY TO MOLEX INCORPORATED AND SHOULD NOT BE USED WITHOUT WRITTEN PERMISSION

6

5

4

3

2

1

