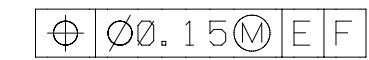
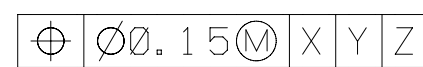
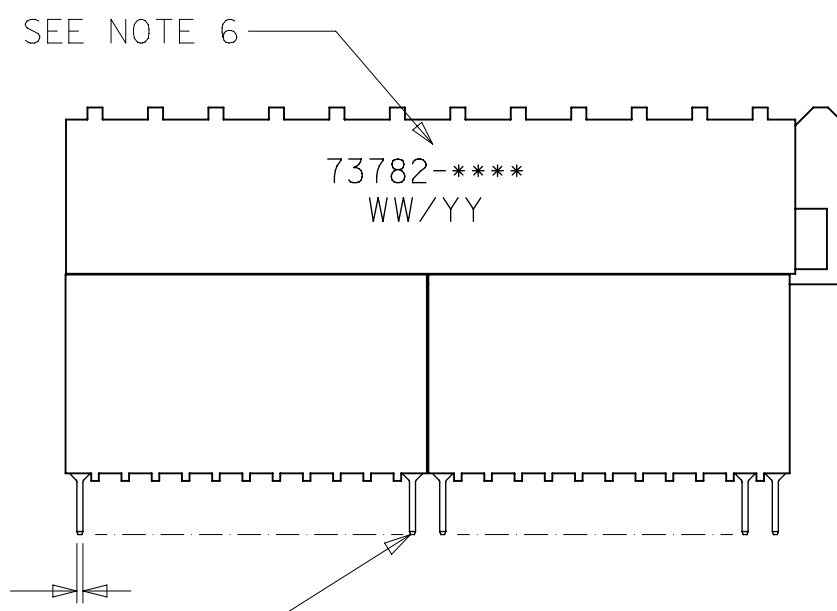
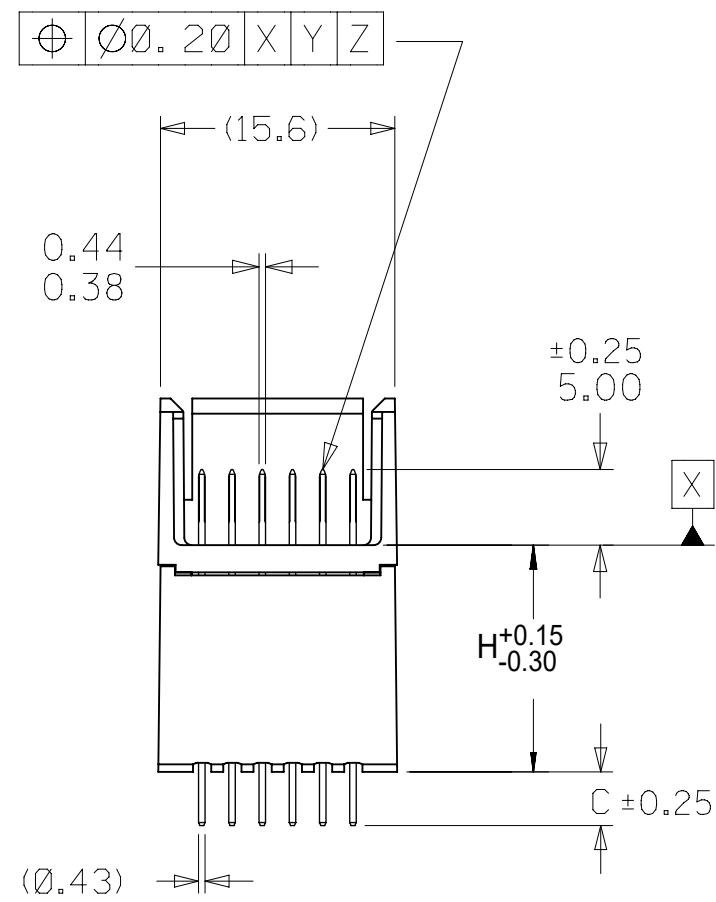
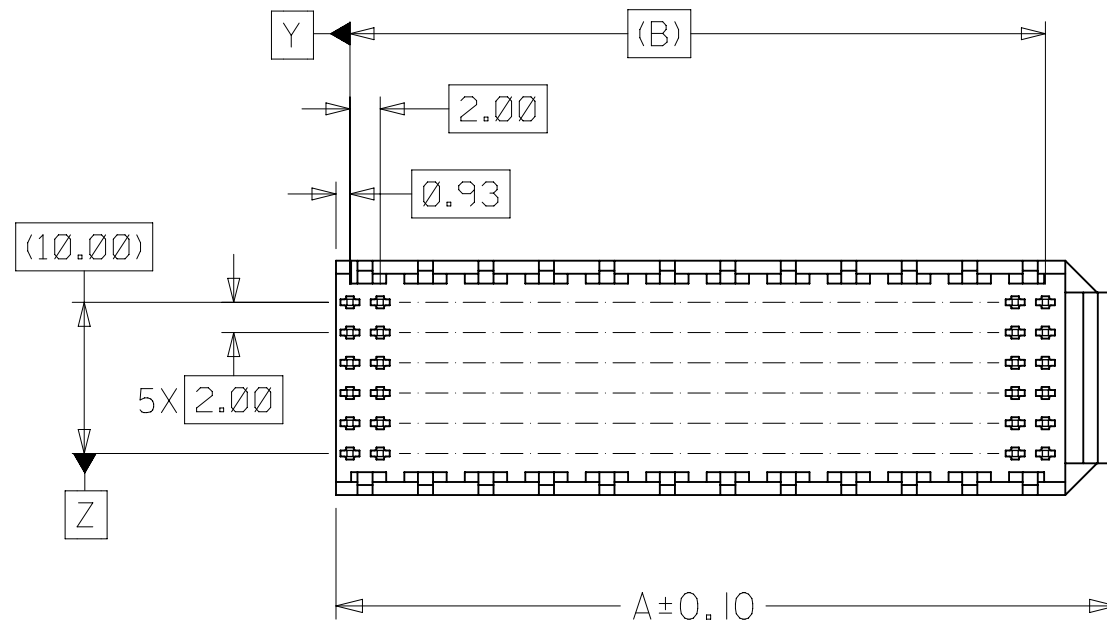


NOTES:

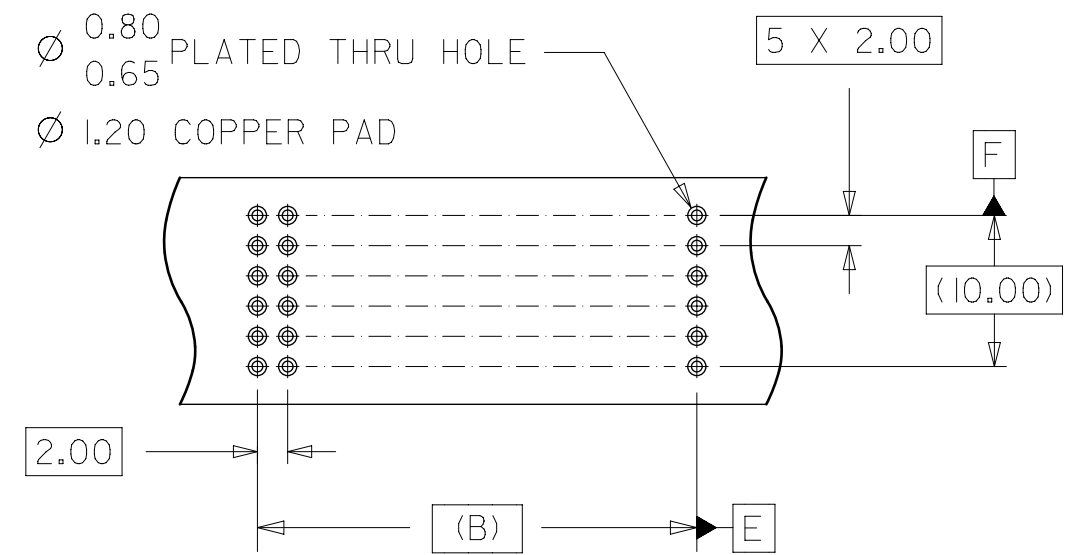
1. MATERIALS: HOUSING-LIQUID CRYSTAL POLYMER (LCP), GLASS-FILLED, UL94V-0, COLOR: BLACK.
TERMINAL-PHOSPHOR BRONZE
2. FINISH:
0.75 MICROMETERS MINIMUM SELECTIVE GOLD IN MATING AREA
2.50 MICROMETERS MINIMUM SELECTIVE TIN IN TAIL AREA
NICKEL UNDERPLATE OVERALL.
3. THIS PART CONFORMS TO MOLEX PRODUCT SPECIFICATION PS-73780-999.
4. THIS PART CONFORMS TO MOLEX COSMETIC SPECIFICATION PS-45499-002 CLASS C.
5. SEE TABLE ON SHEET 2 FOR PACKAGING SPECIFICATION.
6. PARTS MARKED WITH PART NUMBER AND DATE CODE APPROXIMATELY WHERE SHOWN.



Ø 0.838 DRILL

Ø 0.80 PLATED THRU HOLE
Ø 0.65

Ø 1.20 COPPER PAD



BACKPLANE HOLE PATTERN

PRE-RELEASE
REFERENCE
USE ONLY

THIS DRAWING CONTAINS INFORMATION THAT IS PROPRIETARY TO MOLEX ELECTRONIC TECHNOLOGIES, LLC AND SHOULD NOT BE USED WITHOUT WRITTEN PERMISSION									
DIMENSION UNITS mm		SCALE 2:1		CURRENT REV DESC: REMOVED OBSOLETE PART NUMBER AS PER PCN#511698.				molex	
GENERAL TOLERANCES (UNLESS SPECIFIED)				EC NO: 742551					
				4 PLACES ±		DRWN: SANTHN		2023/03/30	
				3 PLACES ±		CHK'D: GGA		2023/05/12	
				2 PLACES ± 0.05		APPR: GGA		2023/05/12	
				1 PLACE ± 0.1		INITIAL REVISION:			
				0 PLACES ±		DRWN: JBINGHAM		1997/04/25	
				ANGULAR TOL ± 0.5 °		APPR: CBIXLER		1997/04/25	
DRAFT WHERE APPLICABLE MUST REMAIN WITHIN DIMENSIONS		THIRD ANGLE PROJECTION		DRAWING C-SIZE		SERIES 73782		DOCUMENT NUMBER SD-73782-001	
				MATERIAL NUMBER SEE SHEET 2		CUSTOMER GENERAL MARKET		DOC TYPE DOC PART REVISION PSD 001 J	
								SHEET NUMBER 1 OF 2	

DOCUMENT STATUS	P1	RELEASE DATE	2023/05/12	06:17:05
-----------------	----	--------------	------------	----------

MATERIAL NUMBER ASSIGNMENT

73782-* * 0 0

NUMBER	CIRCUIT SIZE	DIM "A"	DIM "B"	DIM "C"
0	72	27.6	22.00	2.0
1	144	51.6	46.00	2.0
3	144	51.6	46.00	2.5
4	72	27.6	22.00	3.0
5	144	51.6	46.00	3.0
7	144	51.6	46.00	3.5

NUMBER	DIM "H"	PACKAGING SPECIFICATION
1	15.05	PK-70873-1873
2	6.05	PK-70873-0875
3	10.05	PK-70873-0871

PRE-RELEASE
REFERENCE
USE ONLY

THIS DRAWING CONTAINS INFORMATION THAT IS PROPRIETARY TO MOLEX ELECTRONIC TECHNOLOGIES, LLC AND SHOULD NOT BE USED WITHOUT WRITTEN PERMISSION											
DIMENSION UNITS	SCALE	CURRENT REV DESC: REMOVED OBSOLETE PART NUMBER AS PER PCN#511698.			molex						
mm	1:1	EC NO: 742551 DRWN: SANTHN 2023/03/30 CHK'D: GGA 2023/05/12 APPR: GGA 2023/05/12			SALES ASSEMBLY, HDM BACKPLANE STACKING MOD CLOSED END SOLDER						
GENERAL TOLERANCES (UNLESS SPECIFIED)					PRODUCT CUSTOMER DRAWING						
4 PLACES	±				MM	INCH	DOCUMENT NUMBER: SD-73782-001 DOC TYPE: PSD DOC PART: 001 REVISION: J				
3 PLACES	±				0.05	±					
2 PLACES	±				0.1	±					
1 PLACE	±	0.5	°								
0 PLACES	±			INITIAL REVISION: DRWN: JBINGHAM 1997/04/25 APPR: CBIXLER 1997/04/25							
DRAFT WHERE APPLICABLE MUST REMAIN WITHIN DIMENSIONS		THIRD ANGLE PROJECTION		DRAWING	SERIES	MATERIAL NUMBER	CUSTOMER	SHEET NUMBER			
				C-SIZE	73782	SEE SHEET 2	GENERAL MARKET	2 OF 2			