

4 CIRCUIT SHOWN

- NOTES:
1. MATERIAL: SEE TABLE
 2. FINISHES: SEE TABLE
 3. PRODUCT SPECIFICATION: NOT REQUIRED
 4. PACKAGING: NOT REQUIRED
 5. MATES WITH: NONE
 6. "XX" REFERS TO THE QUANTITY OF CIRCUITS.

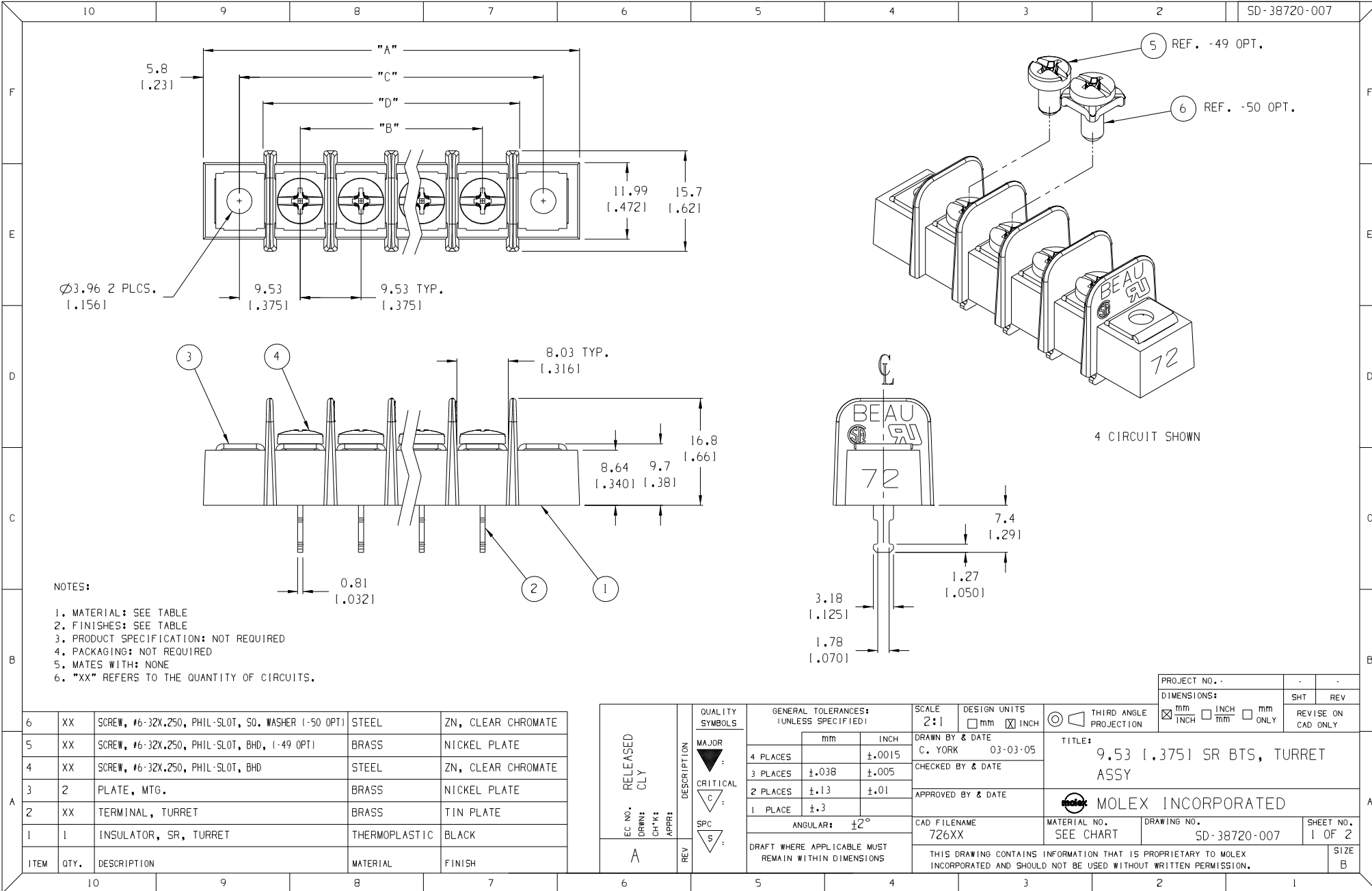
ITEM	QTY.	DESCRIPTION	MATERIAL	FINISH
6	XX	SCREW, #6-32X.250, PHIL-SLOT, SO, WASHER (-50 OPT)	STEEL	ZN, CLEAR CHROMATE
5	XX	SCREW, #6-32X.250, PHIL-SLOT, BHD, (-49 OPT)	BRASS	NICKEL PLATE
4	XX	SCREW, #6-32X.250, PHIL-SLOT, BHD	STEEL	ZN, CLEAR CHROMATE
3	2	PLATE, MTG.	BRASS	NICKEL PLATE
2	XX	TERMINAL, TURRET	BRASS	TIN PLATE
1	1	INSULATOR, SR, TURRET	THERMOPLASTIC	BLACK

A	EC NO.	RELEASED
	DRWN:	CLY
REV	CHK:	
	APPR:	
DESCRIPTION	MAJOR	QUALITY SYMBOLS
	CRITICAL	
	SPC	

GENERAL TOLERANCES: (UNLESS SPECIFIED)	
mm	INCH
4 PLACES	±.0015
3 PLACES	±.038 ±.005
2 PLACES	±.13 ±.01
1 PLACE	±.3
ANGULAR: ±2°	
DRAFT WHERE APPLICABLE MUST REMAIN WITHIN DIMENSIONS	

SCALE	2:1
DESIGN UNITS	<input type="checkbox"/> mm <input checked="" type="checkbox"/> INCH
THIRD ANGLE PROJECTION	<input checked="" type="checkbox"/> THIRD ANGLE PROJECTION
DRAWN BY & DATE	C. YORK 03-03-05
CHECKED BY & DATE	
APPROVED BY & DATE	
CAD FILENAME	726XX

PROJECT NO.	-	-
DIMENSIONS:	<input checked="" type="checkbox"/> mm <input type="checkbox"/> INCH <input type="checkbox"/> mm ONLY	SHT REV
TITLE:	9.53 (.375) SR BTS, TURRET ASSY	
MATERIAL NO.	DRAWING NO.	SHEET NO.
SEE CHART	SD-38720-007	1 OF 2
THIS DRAWING CONTAINS INFORMATION THAT IS PROPRIETARY TO MOLEX INCORPORATED AND SHOULD NOT BE USED WITHOUT WRITTEN PERMISSION.		
SIZE	B	



NUMBER OF CIRCUITS "XX"	DIM. "A"		DIM. "B"		DIM. "C"		DIM. "D"		ASSEMBLY MATERIAL NO. (STANDARD)	ASSEMBLY MATERIAL NO. (-49 OPT.)	ASSEMBLY MATERIAL NO. (-50 OPT.)
02	40.1	[1.58]	9.53	[.375]	28.58	[1.125]	21.1	[.83]	387209202	387209802	387210402
03	49.7	[1.96]	19.05	[.750]	38.10	[1.500]	30.6	[1.21]	387209203	387209803	387210403
04	59.2	[2.33]	28.58	[1.125]	47.63	[1.875]	40.1	[1.58]	387209204	387209804	387210404
05	68.7	[2.71]	38.10	[1.500]	57.15	[2.250]	49.7	[1.96]	387209205	387209805	387210405
06	78.2	[3.08]	47.63	[1.875]	66.68	[2.625]	59.2	[2.33]	387209206	387209806	387210406
07	87.8	[3.46]	57.15	[2.250]	76.20	[3.000]	68.7	[2.71]	387209207	387209807	387210407
08	97.3	[3.83]	66.68	[2.625]	85.73	[3.375]	78.2	[3.08]	387209208	387209808	387210408
09	106.8	[4.21]	76.20	[3.000]	95.25	[3.750]	87.8	[3.46]	387209209	387209809	387210409
10	116.3	[4.58]	85.73	[3.375]	104.78	[4.125]	97.3	[3.83]	387209210	387209810	387210410
11	125.9	[4.96]	95.25	[3.750]	114.30	[4.500]	106.8	[4.21]	387209211	387209811	387210411
12	135.4	[5.33]	104.78	[4.125]	123.83	[4.875]	116.3	[4.58]	387209212	387209812	387210412
13	144.9	[5.71]	114.30	[4.500]	133.35	[5.250]	125.9	[4.96]	387209213	387209813	387210413
14	154.4	[6.08]	123.83	[4.875]	142.88	[5.625]	135.4	[5.33]	387209214	387209814	387210414
15	164.0	[6.46]	133.35	[5.250]	152.40	[6.000]	144.9	[5.71]	387209215	387209815	387210415
16	173.5	[6.83]	142.88	[5.625]	161.93	[6.375]	154.4	[6.08]	387209216	387209816	387210416
17	183.0	[7.21]	152.40	[6.000]	171.45	[6.750]	164.0	[6.46]	387209217	387209817	387210417
18	192.5	[7.58]	161.93	[6.375]	180.98	[7.125]	173.5	[7.21]	387209218	387209818	387210418
19	202.1	[7.96]	171.45	[6.750]	190.50	[7.500]	192.5	[7.58]	387209219	387209819	387210419
20	211.6	[8.33]	180.98	[7.125]	200.03	[7.875]	202.1	[7.96]	387209220	387209820	387210420
21	221.1	[8.71]	190.50	[7.500]	209.55	[8.250]	211.6	[8.33]	387209221	387209821	387210421
22	230.6	[9.08]	200.03	[7.875]	219.08	[8.625]	221.1	[8.71]	387209222	387209822	387210422
23	240.2	[9.46]	209.55	[8.250]	228.60	[9.000]	230.6	[9.08]	387209223	387209823	387210423
24	249.7	[9.83]	219.08	[8.625]	238.13	[9.375]	230.6	[9.08]	387209224	387209824	387210424
25	259.2	[10.21]	228.60	[9.000]	247.65	[9.750]	240.2	[9.46]	387209225	387209825	387210425
26	268.7	[10.58]	238.13	[9.375]	257.18	[10.125]	249.7	[9.83]	387209226	387209826	387210426

PROJECT NO. -	-	-
DIMENSIONS:	SHT	REV
<input checked="" type="checkbox"/> mm <input type="checkbox"/> INCH	<input type="checkbox"/> mm <input type="checkbox"/> ONLY	REVISE ON CAD ONLY

EC NO. - SEE SHEET 1 DRWN: CH-K APPR: REV	QUALITY SYMBOLS MAJOR CRITICAL SPC S	DESCRIPTION	GENERAL TOLERANCES: (UNLESS SPECIFIED)		SCALE - -	DESIGN UNITS <input type="checkbox"/> mm <input checked="" type="checkbox"/> INCH	THIRD ANGLE PROJECTION	TITLE: 9.53 [.375] SR BTS, TURRET ASSY	
			mm	INCH	DRAWN BY & DATE C. YORK 03-03-05	MOLEX INCORPORATED MATERIAL NO. SEE CHART DRAWING NO. SD-38720-007 SHEET NO. 2 OF 2			
			4 PLACES ±.0015	3 PLACES ±.038 ±.005	CHECKED BY & DATE				
			2 PLACES ±.13 ±.01	1 PLACE ±.3	APPROVED BY & DATE	CAD FILENAME 726XX	SIZE B		
DRAFT WHERE APPLICABLE MUST REMAIN WITHIN DIMENSIONS			ANGULAR: ±2°			THIS DRAWING CONTAINS INFORMATION THAT IS PROPRIETARY TO MOLEX INCORPORATED AND SHOULD NOT BE USED WITHOUT WRITTEN PERMISSION.			