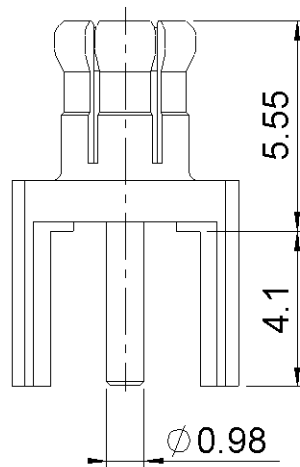
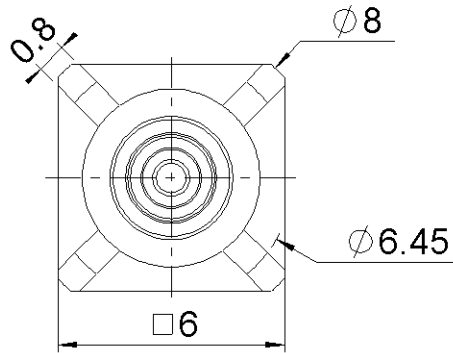
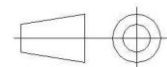
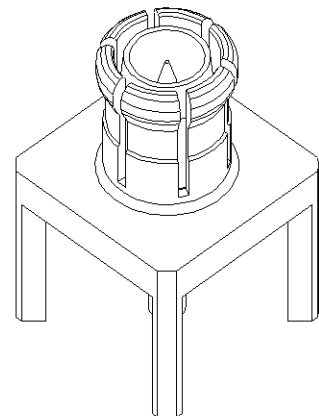
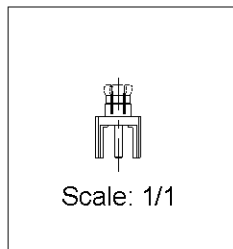
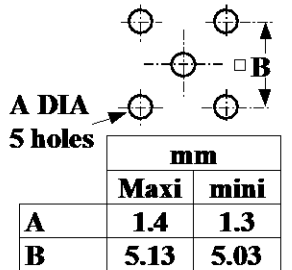


PAGE 1/2	ISSUE 30-06-15A	SERIES MCX	PART NUMBER R113425097
----------	-----------------	------------	------------------------



PANEL CUT OUT



All dimensions are in mm.

COMPONENTS	MATERIALS	PLATING (μm)
Body	BERYLLIUM COPPER	GOLD OVER COPPER
Center contact	NON MAGNETIC BRONZE	GOLD OVER COPPER
Outer contact		
Insulator	PTFE	
Gasket		
Others parts	NON MAGNETIC BRONZE	GOLD OVER COPPER
-	-	-
-	-	-

PAGE 2/2	ISSUE 30-06-15A	SERIES MCX	PART NUMBER R113425097
----------	------------------------	-------------------	-------------------------------

PACKAGING

Standard	Unit	Other
100	Contact us	Contact us

ELECTRICAL CHARACTERISTICS

Impedance		50	Ω
Frequency		0-6	GHz
VSWR	**1.05	+	0.0300 x F(GHz) Maxi
Insertion loss		*0.05	√F(GHz) dB Maxi
RF leakage	- (NA	- F(GHz)) dB Maxi
Voltage rating		335	Veff Maxi
Dielectric withstanding voltage		1000	Veff mini
Insulation resistance		1000	MΩ mini

MECHANICAL CHARACTERISTICS

Center contact retention			
Axial force – Mating End		10	N mini
Axial force – Opposite end		10	N mini
Torque		NA	N.cm mini
Recommended torque			
Mating		NA	N.cm
Panel nut		NA	N.cm
Mating life		500	Cycles mini
Weight		0.5400	g

ENVIRONMENTAL

Operating temperature	-55/+125	°C
Hermetic seal	NA	Atm.cm3/s
Panel leakage	NA	

SPECIFICATION

OTHER CHARACTERISTICS

Assembly instruction: **NA**

Others:

*** Coaxial Transmission Line Only**
**** Performance strongly depends on lay out and PCB material**
Distortion of the magnetic field :
<= 0.5 ppm @ 10 mm @ Bo = 1.5 Tesla