

QSS-050-01-L-D-RA-WT



QSS-025-01-L-D-RA

**QSS-RA SERIES**

**(0.635 mm) .025"**

# RIGHT-ANGLE GROUND PLANE SOCKET

## SPECIFICATIONS

For complete specifications and recommended PCB layouts see [www.samtec.com?QSS-RA](http://www.samtec.com?QSS-RA)

**Insulator Material:**

Liquid Crystal Polymer

**Contact Material:**

Phosphor Bronze

**Plating:**

Au or Sn over

50 μ" (1.27 μm) Ni

**Current Rating:**

Contact:

2 A per pin

(2 pins powered)

Ground Plane:

15.7 A per ground plane

(1 ground plane powered)

**Operating Temp:**

-55 °C to +125 °C

**Voltage Rating:**

275 VAC mated with QTS-RA

**RoHS Compliant:**

Yes

**Board Mates:**

QTS

**Cable Mates:**

SQCD

**APPLICATIONS**



HORIZONTAL



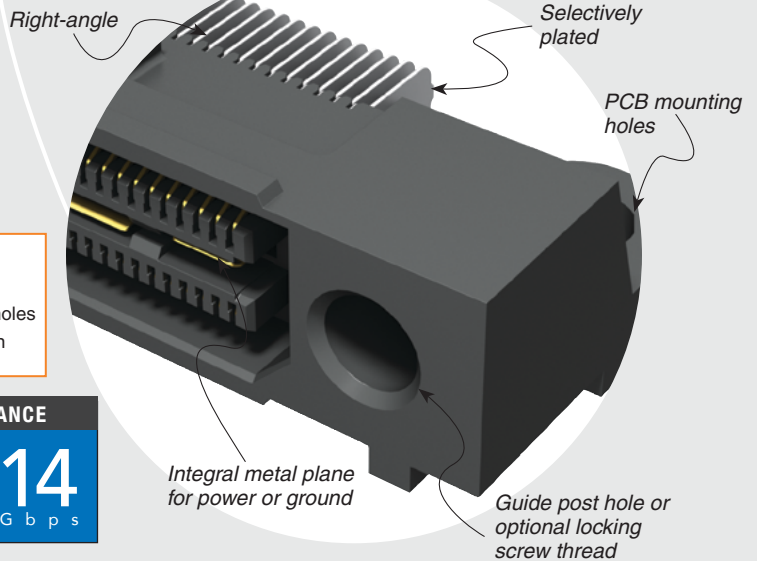
- Guide posts
- Weld tabs
- PCB mounting holes
- Solder pin option

**HIGH-SPEED CHANNEL PERFORMANCE**

QSS-RA/QTS-RA

Rating based on Samtec reference channel. For full SI performance data visit [Samtec.com](http://Samtec.com) or contact [SIG@samtec.com](mailto:SIG@samtec.com)

**14**  
G b p s



## PROCESSING

**Lead-Free Solderable:**

Yes

**SMT Lead Coplanarity:**

(0.10 mm) .004" max (025-075)

## RECOGNITIONS

For complete scope of recognitions see [www.samtec.com/quality](http://www.samtec.com/quality)

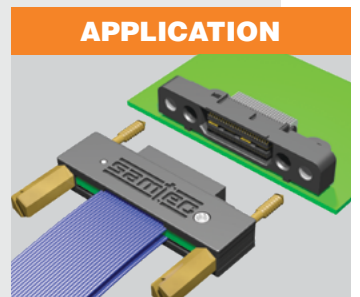
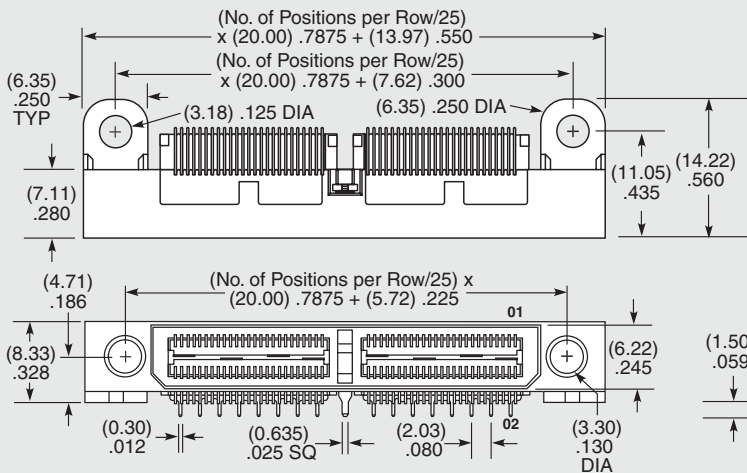
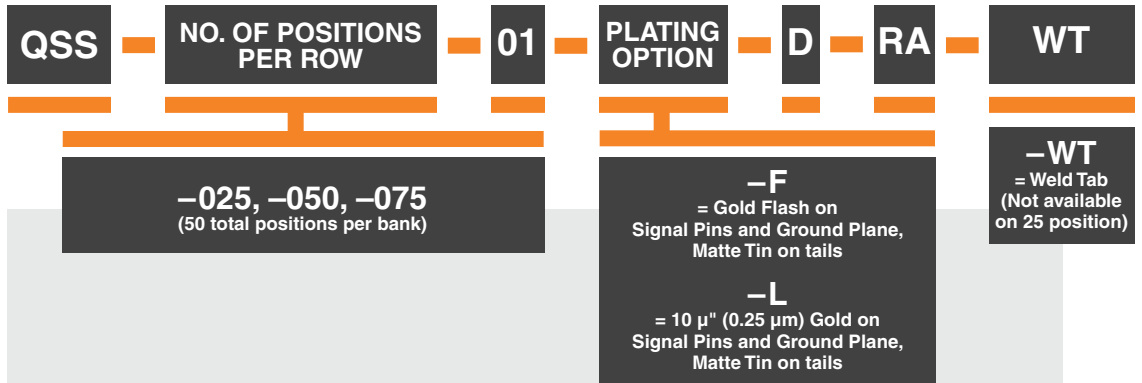


FILE NO. E111594

## ALSO AVAILABLE (MOQ Required)

- 30 μ" (0.76 μm) Gold
- Tray Packaging
- Lead style for (2.36 mm) .093" thick board
- Threaded insert (-MTI) for mating with SQCD with captive screws
- -LS1 Locking Screw Hole for mating with QTS-RA-LS1
- 100 positions per row

**Note:**  
Some sizes, styles and options are non-standard, non-returnable.



Due to technical progress, all designs, specifications and components are subject to change without notice.

[WWW.SAMTEC.COM](http://WWW.SAMTEC.COM)

All parts within this catalog are built to Samtec's specifications. Customer specific requirements must be approved by Samtec and identified in a Samtec customer-specific drawing to apply.