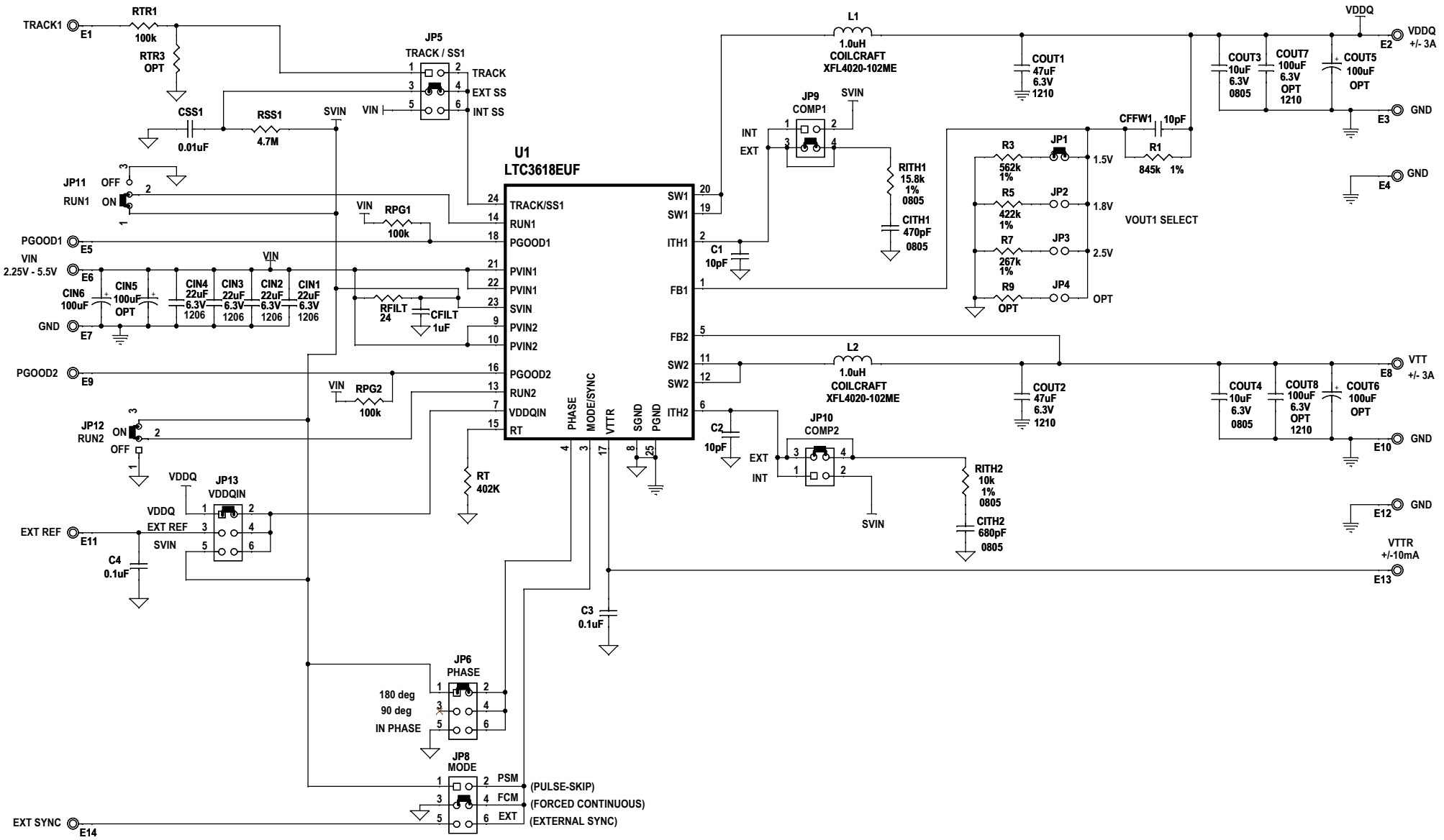


ECO		REV	DESCRIPTION	APPROVED	DATE
-		2	PRODUCTION	FRAN H.	05-24-11



**NOTE: UNLESS OTHERWISE SPECIFIED**

1. ALL RESISTORS ARE IN 0603.
- ALL CAPACITORS ARE IN 0603.

CUSTOMER NOTICE		APPROVALS			1630 McCarthy Blvd. Milpitas, CA 95035 Phone: (408)432-1900 www.linear.com Fax: (408)434-0507 LTC Confidential-For Customer Use Only				
LINEAR TECHNOLOGY HAS MADE A BEST EFFORT TO DESIGN A CIRCUIT THAT MEETS CUSTOMER-SUPPLIED SPECIFICATIONS; HOWEVER, IT REMAINS THE CUSTOMER'S RESPONSIBILITY TO VERIFY PROPER AND RELIABLE OPERATION IN THE ACTUAL APPLICATION. COMPONENT SUBSTITUTION AND PRINTED CIRCUIT BOARD LAYOUT MAY SIGNIFICANTLY AFFECT CIRCUIT PERFORMANCE OR RELIABILITY. CONTACT LINEAR TECHNOLOGY APPLICATIONS ENGINEERING FOR ASSISTANCE.					PCB DES.	JW	<b>TITLE: SCHEMATIC</b>  <b>DUAL 3A MONOLITHIC SYNCHRONOUS STEP-DOWN REGULATOR FOR DDR MEMORY</b>  <b>LTC3618EUFC</b> <b>DEMO CIRCUIT 1726A</b>	REV.	2
THIS CIRCUIT IS PROPRIETARY TO LINEAR TECHNOLOGY AND SUPPLIED FOR USE WITH LINEAR TECHNOLOGY PARTS.				APP ENG.	FRAN H.	SIZE		N/A	IC NO.
				SCALE	= NONE		DATE:	Friday, July 29, 2011	
						SHEET		1 OF 1	