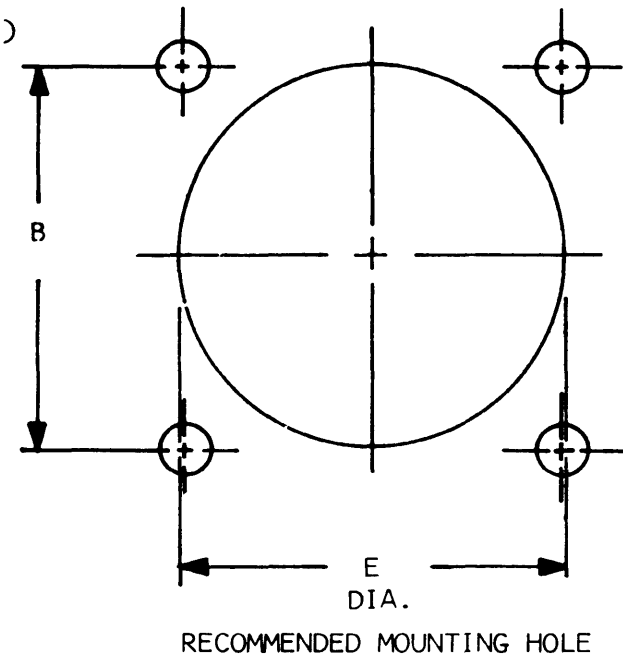
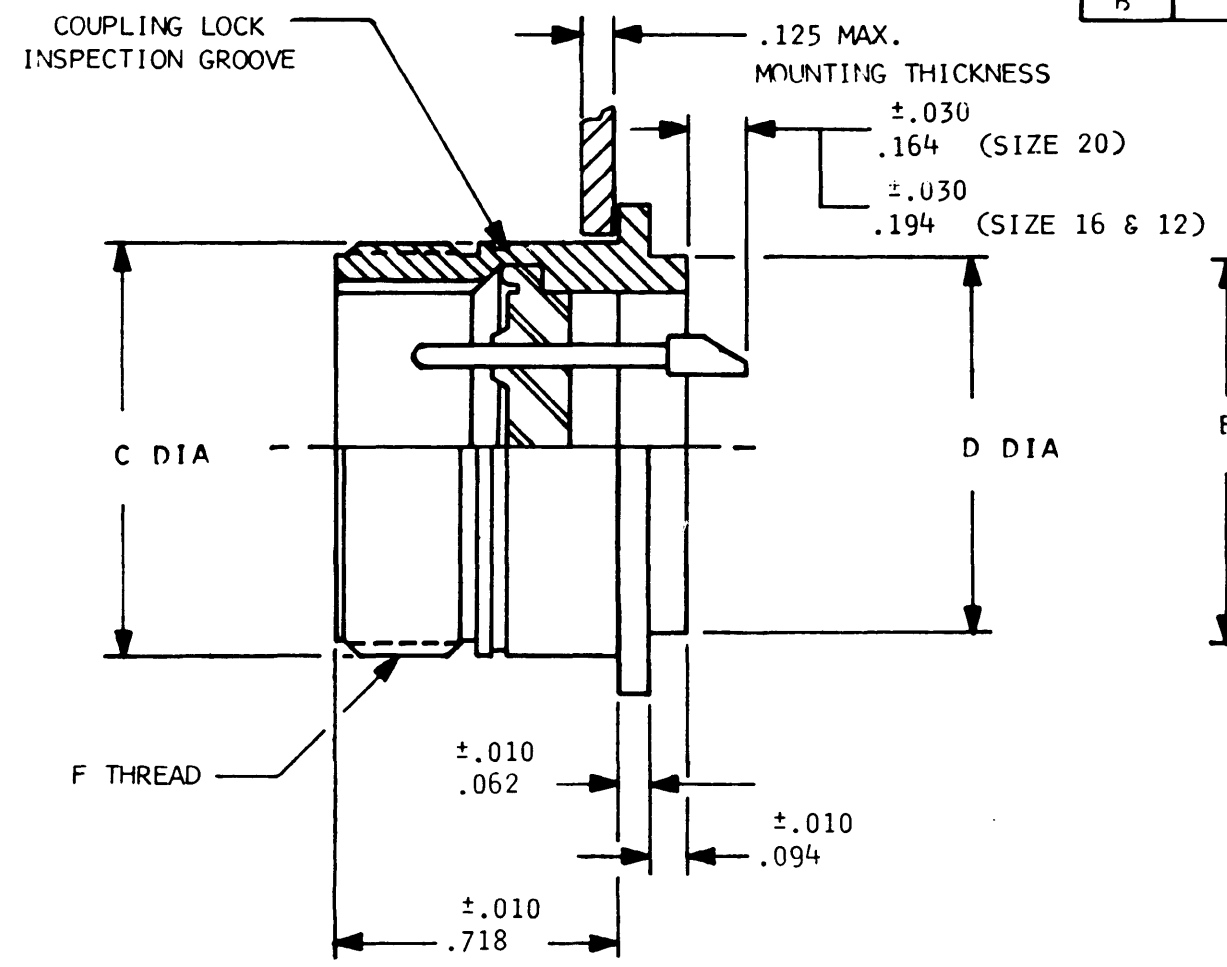
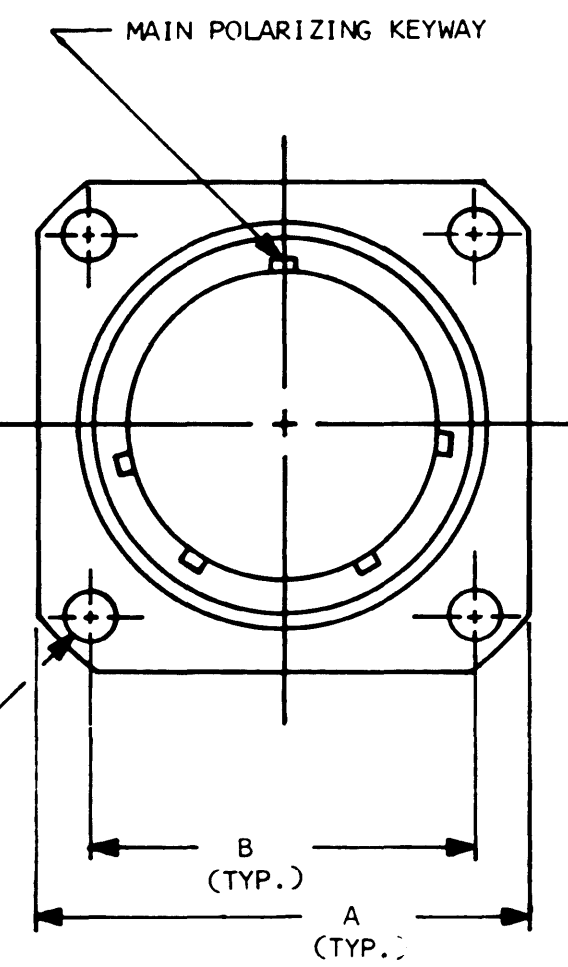


B DBA30H-\*\*-\*\*p\*\*

REVISIONS			
SYM	DESCRIPTION	DATE	APPROVED
B	REDRAWN PER E.O. 61145	6-6-69	J. VEGA



$+ .005$   
 $- .004$   
.120 DIA SIZE 8-22

$+ .005$   
 $- .004$   
.149 DIA SIZE 24  
(TYP 4 PLACES)

4. MATERIALS: SHELL-STAINLESS STEEL  
CONTACTS, PIN-HIGH NICKEL-IRON ALLOY  
INSERTS-COMPRESSION GLASS  
ELASTOMER
3. FINISH: SHELL-ELECTRO POLISHED  
CONTACTS-GOLD PLATED
2. CONTACT IDENTIFICATION IS IN CONTRASTING  
COLOR TO INSERTS.
1. FOR AVAILABLE CONTACT ARRANGEMENTS AND  
ALTERNATE CLOCKING POSITIONS, SEE PAGE  
38500 IN DBA SECTION OF CATALOG.

**NOTE:**

SHELL SIZE	PART NUMBER	A $\pm .005$	B $\pm .005$	C MAX	D $\pm .005$	$+ .010$ E $- .000$ FOR "C" DIA	FOR "D" DIA	F THREAD	APPROX WT. IN LBS.
8	DBA30H- 8-**P**	.812	.594	.560	.498	.570	.508	9/16-24 UNEF	
10	DBA30H-10-**P**	.937	.719	.696	.561	.706	.571	11/16-24 UNEF	
12	DBA30H-12-**P**	1.031	.812	.875	.749	.885	.759	7/8-20 UNEF	
14	DBA30H-14-**P**	1.125	.906	.936	.811	.946	.821	15/16-20 UNEF	
16	DBA30H-16-**P**	1.250	.969	1.062	.936	1.072	.946	1 1/16-18 UNEF	
18	DBA30H-18-**P**	1.343	1.062	1.187	1.061	1.197	1.0712	1 3/16-18 UNEF	
22	DBA30H-22-**P**	1.562	1.250	1.437	1.311	1.447	1.321	1 7/16-18 UNEF	
24	DBA30H-24-**P**	1.703	1.375	1.625	1.436	1.635	1.445	1 5/8-18 UNEF	

SIGNATURE & DATE	
DR	<i>J. Vega</i> 6-6-69
CHK	<i>[Signature]</i> 6-6-69
PE	<i>[Signature]</i>
APPD	
SCALE	NONE
WT	

RECEPTACLE, CONNECTOR,  
HERMETIC,  
THREADED COUPLING,  
SQUARE FLANGE MOUNTING

ENVELOPE

CP	MATL CODE
<b>The Deutsch Company</b> ELECTRONIC COMPONENTS DIVISION <i>Municipal Airport</i> <i>Banning, California</i>	
B	DBA30H-**-**p**
DWG SIZE	CODE 11139
SHEET 1 OF 1	