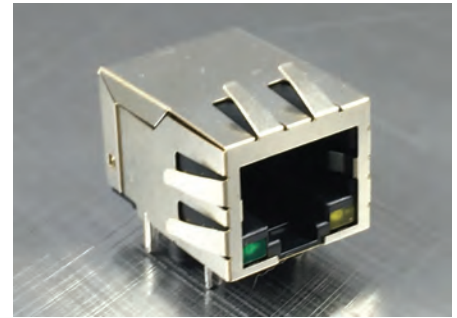




Single Port RJ45 Connector

AR11-4296I

- 10/100 Base-T for LAN and other Ethernet Applications
- Designed to meet IEEE802.3
- RJ45 jack cavity conforms to FCC rules and regulations Part 68, SUB Part F
- Industrial Temp: -40°C to +85°C



Electrical Specifications @ 25°C

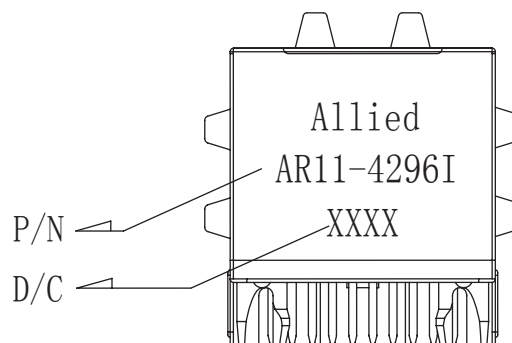
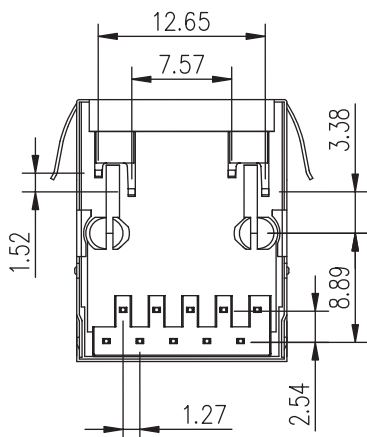
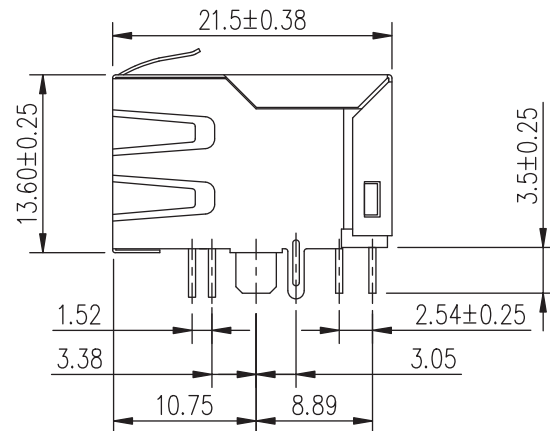
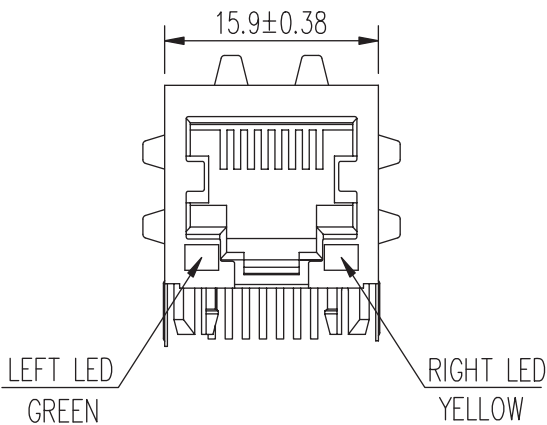
| Part Number | OCL(uH Min) @ 100kHz | Turns Ratio @ 100kHz, 0.1V | | Cross Talk (dB Min) | HI-POT |
|-------------|-------------------------|-------------------------------|--------------|------------------------|---------|
| | With 0.1V 8mA DC Bias | P1-P2: J1-J2 | P3-P6: J3-J6 | 1-100MHz | 1mA,60S |
| AR11-4296I | 350 | 1:1±5% | 1:1±5% | -30 | 1500 |

Electrical Specifications @ 25°C

| Part Number | Insertion Loss (dB Max) | Return Loss (dB Min) | | | | CMR (dB Min) |
|-------------|----------------------------|-------------------------|----------|-----------|-----------|-----------------|
| | 1-100MHz | 1-30MHz | 30-60MHz | 60-100MHz | 80-100MHz | 1-100MHz |
| AR11-4296I | -1.0 | -18 | -16 | -12 | -10 | -30 |

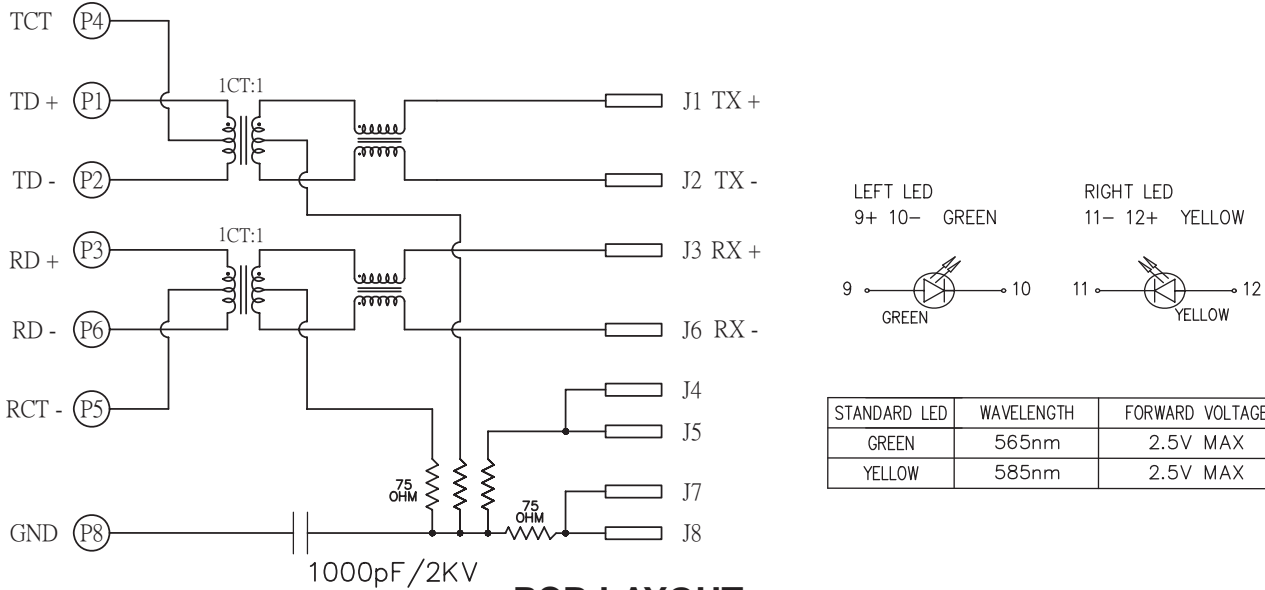
All specifications subject to change without notice.

MECHANICAL

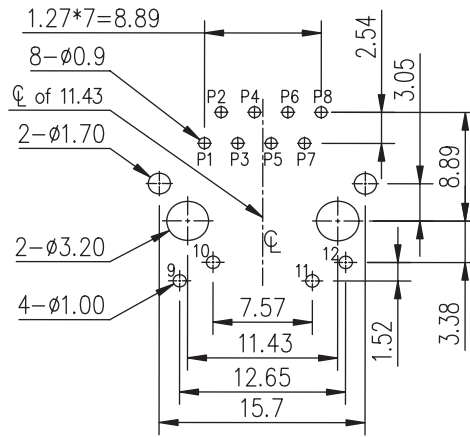




SCHEMATICS



PCB LAYOUT



RECOMMENDED PCB LAYOUT
TOLERANCE ±0.05mm(T=1.6mm)

NOTES

- Shielded – 0.20mm THICKNESS BRASS C2680 H. PLATING NICKEL 20u”MIN.
- Housing– Standard Material PA66,Glass Filled Polyester UL94V-0 Standed Color Black.
- Insert Pin– Plastic:PA66 UL94V-0,Standard Color Black. Pin:0.35mm Thickness Phos-Bronze C5210 EH. Plating:Nickel 30u”~60u” for all and Sn 100%, and Gold Plating 15u”.
- Contact Pin– Plastic:PA66 ,Glass Filled,UL94V-0, Standard Color Black. Pin:0.35mm Thickness SUS430. Plating:Nickel 30u”~60u” for all and Sn 100%.