

80mm sq.

San Ace 80L



General Specifications

- Material Frame: Aluminum,
Impeller: Plastics (Flammability: UL94V-1)
- Expected Life Refer to specifications (L10:Survival rate:90% at 60°C ,
rated voltage, and continuously run in a free air state)
- Lead Wire ⊕red ⊖black (Sensor) yellow (Control) brown
- Storage Temperature -30°C to +70°C (Non-condensing)

80×80×25mm (Mass : 130g) **9LG type** **High Airflow**

Specifications

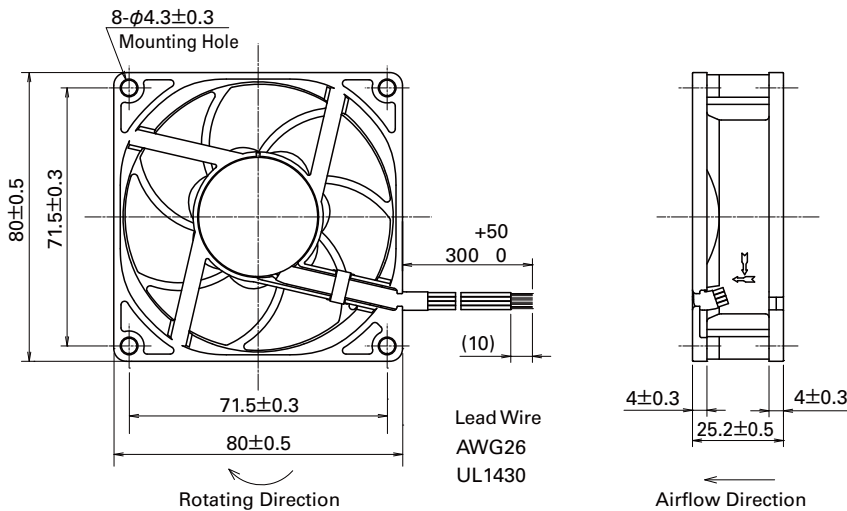
The following nos. have PWM controls and pulse sensors.

Model No.	Rated Voltage [V]	Operating Voltage Range [V]	PWM duty cycle ^{Note)1)} [%]	Rated Current [A]	Rated Input [W]	Rated Speed [min ⁻¹]	Max. Airflow [m ³ /min] [CFM]	Max. Static Pressure [Pa] [inchH ₂ O]	SPL [dB(A)]	Operating Temperature [°C]	Expected Life [h]
9LG0812P4J001	12	10.8 to 13.2	100	0.6	7.2	7,400	2.07 73.0	177 0.71	49	-20 to +70	180,000/60°C
			20	0.06	0.72	1,800	0.50 17.6	10.4 0.04	16		
9LG0812P4G001			100	0.30	3.60	5,500	1.54 54.3	98 0.39	43		
			25	0.05	0.60	1,400	0.39 13.7	6.3 0.02	14		
9LG0812P4H001			100	0.12	1.44	3,700	1.03 36.3	44 0.17	31		
			25	0.04	0.48	1,100	0.30 10.5	3.9 0.01	13		
9LG0824P4J001	24	21.6 to 26.4	100	0.28	6.72	7,400	2.07 73.0	177 0.71	49		
			20	0.05	1.20	2,400	0.67 23.6	18.6 0.07	22		
9LG0824P4G001			100	0.14	3.36	5,500	1.54 54.3	98 0.39	43		
			20	0.02	0.48	1,200	0.33 11.6	4.6 0.01	13		
9LG0824P4H001			100	0.05	1.2	3,700	1.03 36.3	44 0.17	31		
			30	0.02	0.48	1,100	0.30 10.5	3.9 0.01	13		

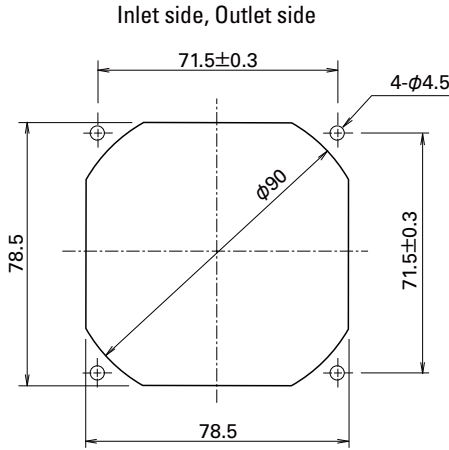
Note : Fan does not rotate when PWM duty cycle is 0%.

※PWM Frequency : 25kHz

Dimensions (unit: mm)



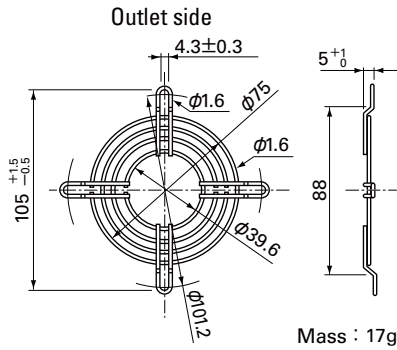
Reference Dimensions of Mounting Holes and Vent Opening (unit: mm)



Options (unit: mm)

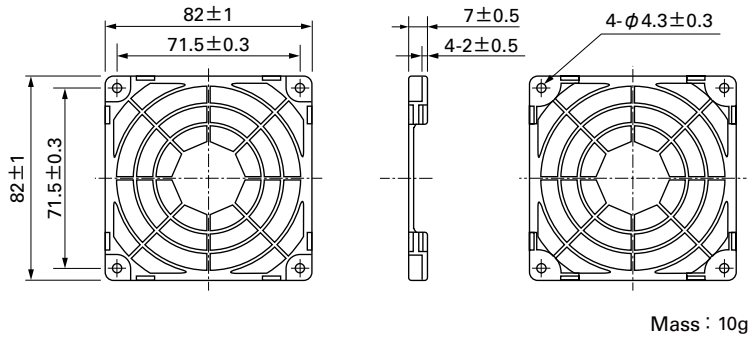
Finger Guards

Model : 109-049C Surface treatment : Nickel-chrome plating (silver) Color : Nickel-chrome plating (silver)



Resin Finger Guards

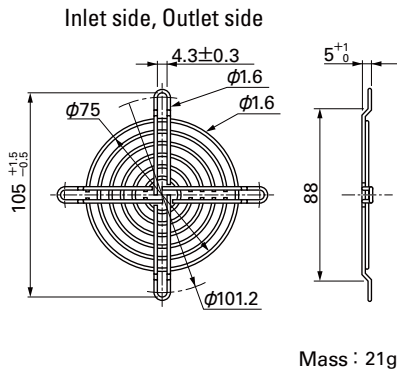
Model : 109-1002G



Finger Guards

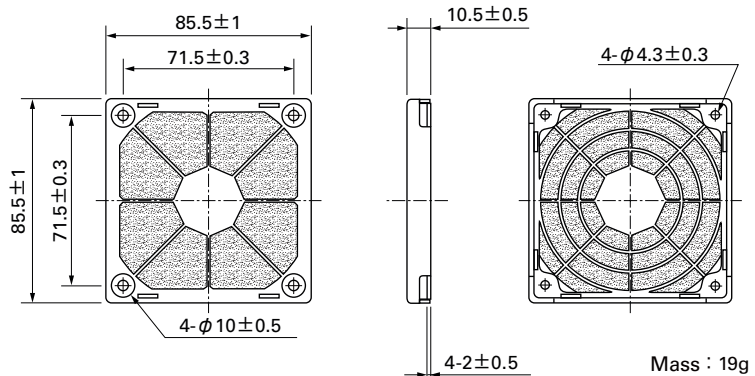
Model : 109-049E Surface treatment : Nickel-chrome plating (silver) Color : Nickel-chrome plating (silver)

Model : 109-049H Surface treatment : Cation electropainting (black) Color : Cation electropainting (black)



Resin Filter Kits

Model : 109-1002F13 (13PPI), 109-1002F20 (20PPI), 109-1002F30 (30PPI), 109-1002F40 (40PPI)



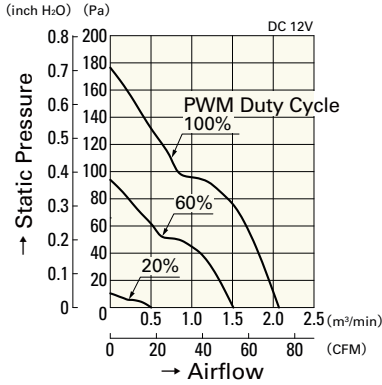
80mm sq.

San Ace 80L

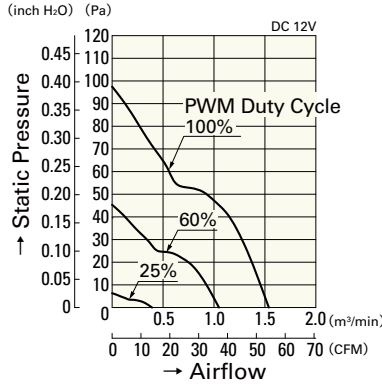
80×80×25mm [Mass : 130g]

Airflow - Static Pressure Characteristics

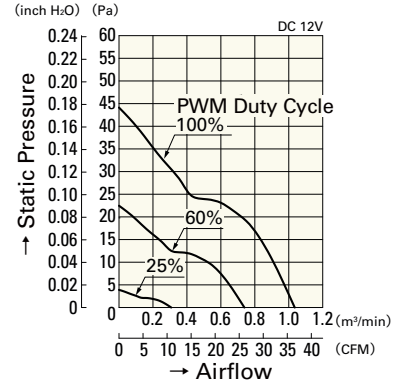
PWM Duty Cycle



9LG0812P4J001

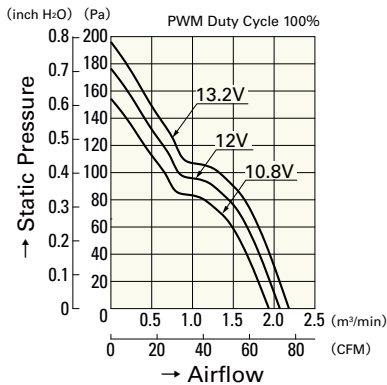


9LG0812P4G001

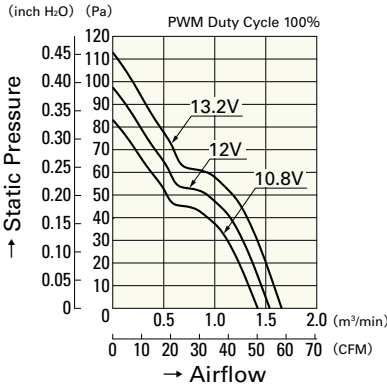


9LG0812P4H001

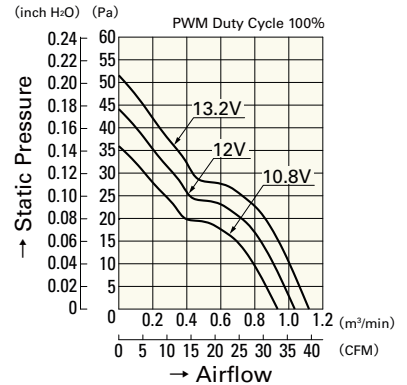
Operating Voltage Range



9LG0812P4J001

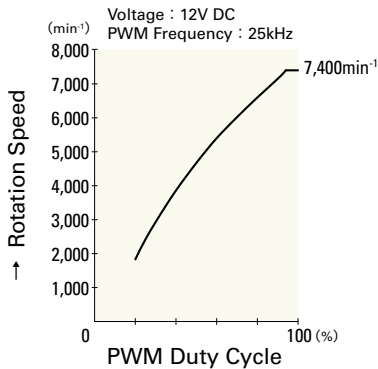


9LG0812P4G001

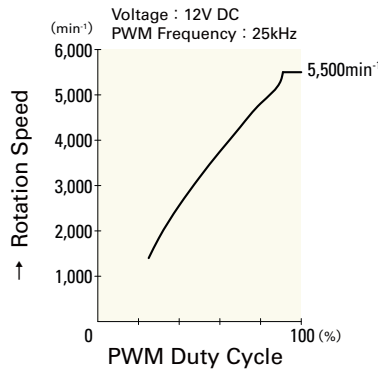


9LG0812P4H001

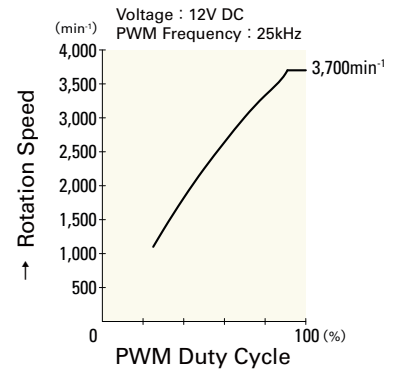
PWM Duty - Speed Characteristics Example



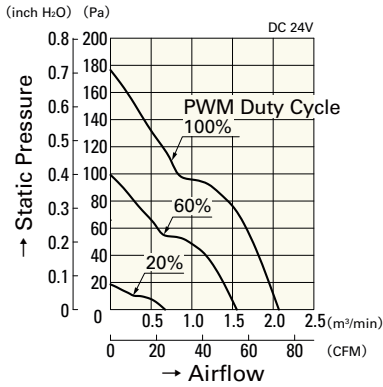
9LG0812P4J001



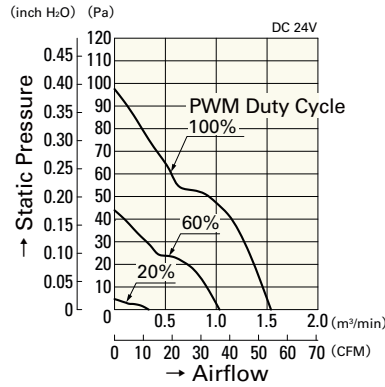
9LG0812P4G001



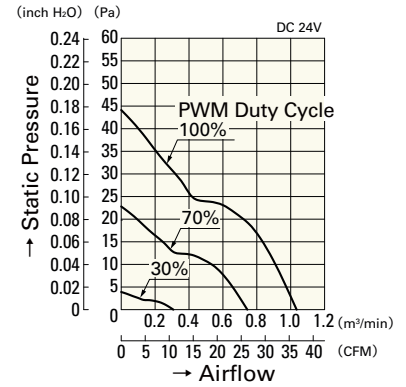
9LG0812P4H001



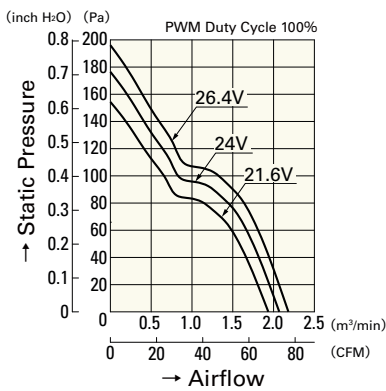
9LG0824P4J001



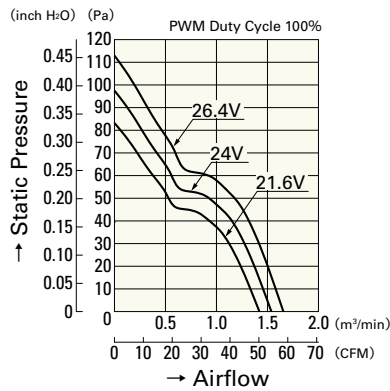
9LG0824P4G001



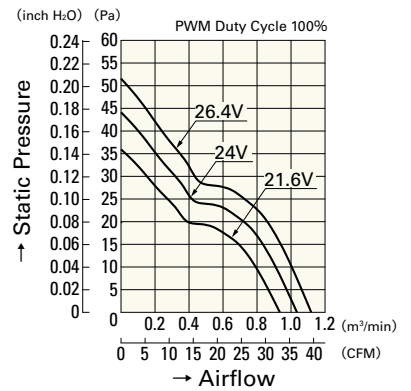
9LG0824P4H001



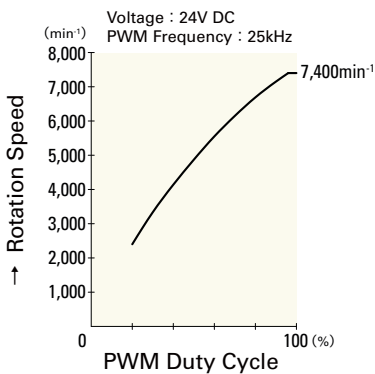
9LG0824P4J001



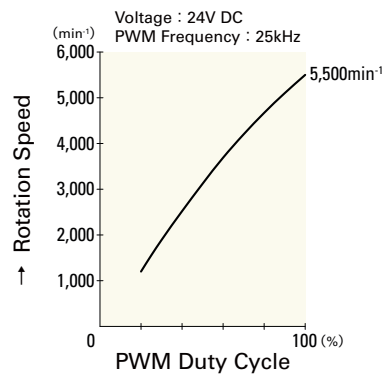
9LG0824P4G001



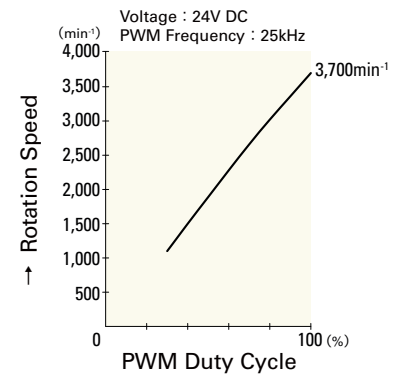
9LG0824P4H001



9LG0824P4J001



9LG0824P4G001



9LG0824P4H001