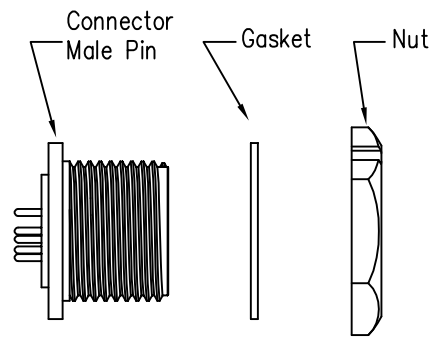
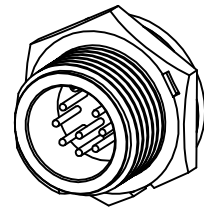
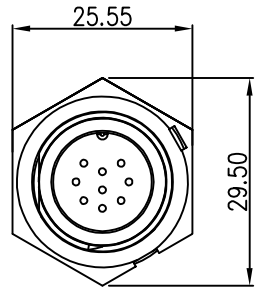
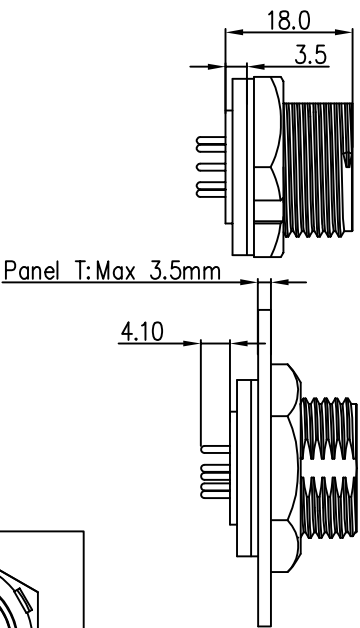
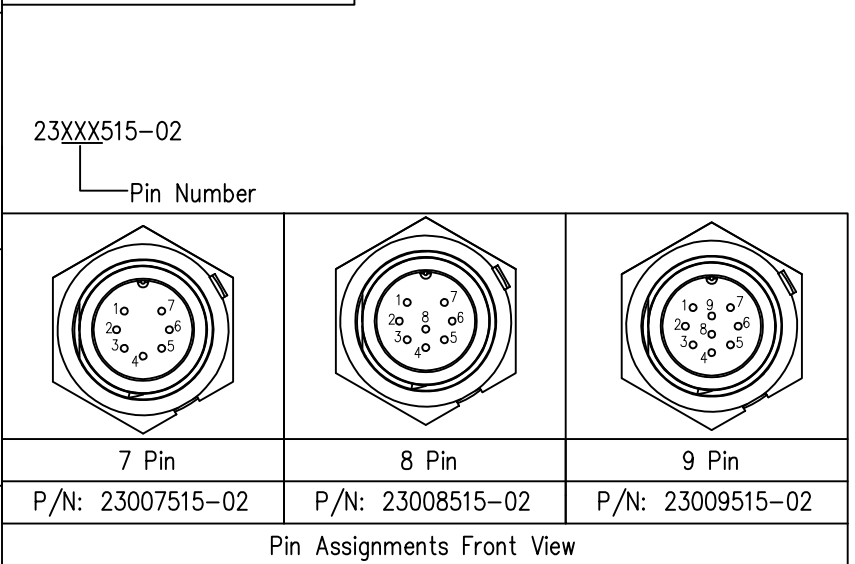
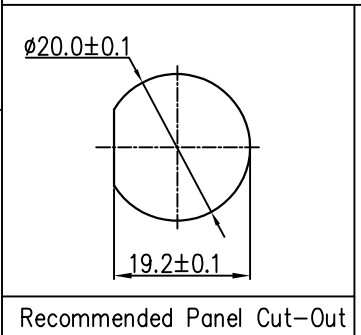
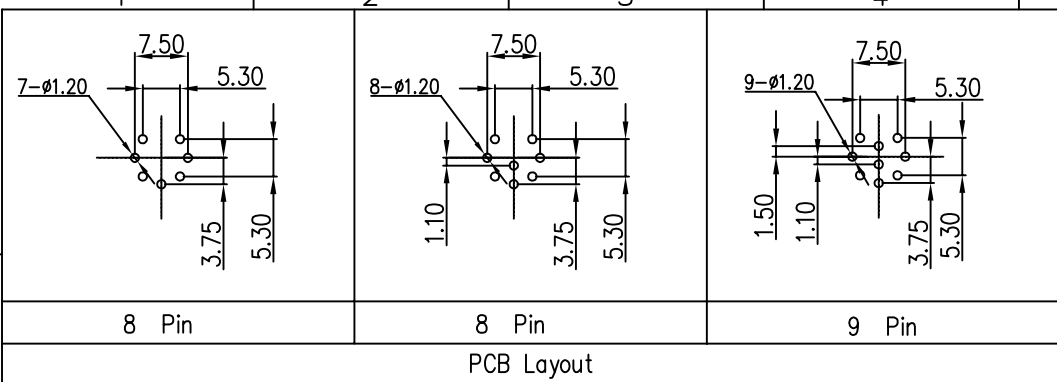


THIS INFORMATION IS CONFIDENTIAL AND IS DISCLOSED TO YOU ON CONDITION THAT NO FURTHER DISCLOSURE IS MADE BY YOU TO OTHER THAN CHOGORI PERSONNEL WITHOUT AUTHORIZATION FROM CHOGORI CORP.

REV.	ECN NO.	DESCRIPTION	SIGN	DATE
C1	N/A	INITIAL DRAWING	Liu	2020/05/13



- Specification:
1. Operation Temperature: -45°C~105°C.
 2. Insulation Resistance: 100MΩ at DC500V.
 3. Contact Resistance: <10mΩ
 4. Withstand Voltage: 1300V AC
 5. Operating Current: 5A
 6. Operating Voltage: DC 60V
 7. Waterproof Rate: IP67 (Mated)
 8. Housing: Nylon, Black
 9. Male Pin: Copper Alloy, Gold Plated
 10. Gasket: Silicon Gray
 11. Panel Nut: Nylon, Black
 12. Torque Rate: 0.8~1.0N·m
 13. RoHS Compliant.
 14. Mating Cap P/N: 806-00021-00

UNIT:mm TOLERANCE .X ±0.25 .XX ±0.15 .XXX ±0.05 ANGLES ±1°	DESCRIPTION Middle Series Screw Type Front Mount With Male Pin			PART NO	23XXX515-02	DRAWN BY	Liu	DATE	2020/05/17		
	SCALE	1:1		SHEET	1 OF 1	DWG NO		CHECKED BY	Mo	DATE	2020/05/17
	REV.	C1		SIZE	A4			APPROVED BY	Panson	DATE	2020/05/17