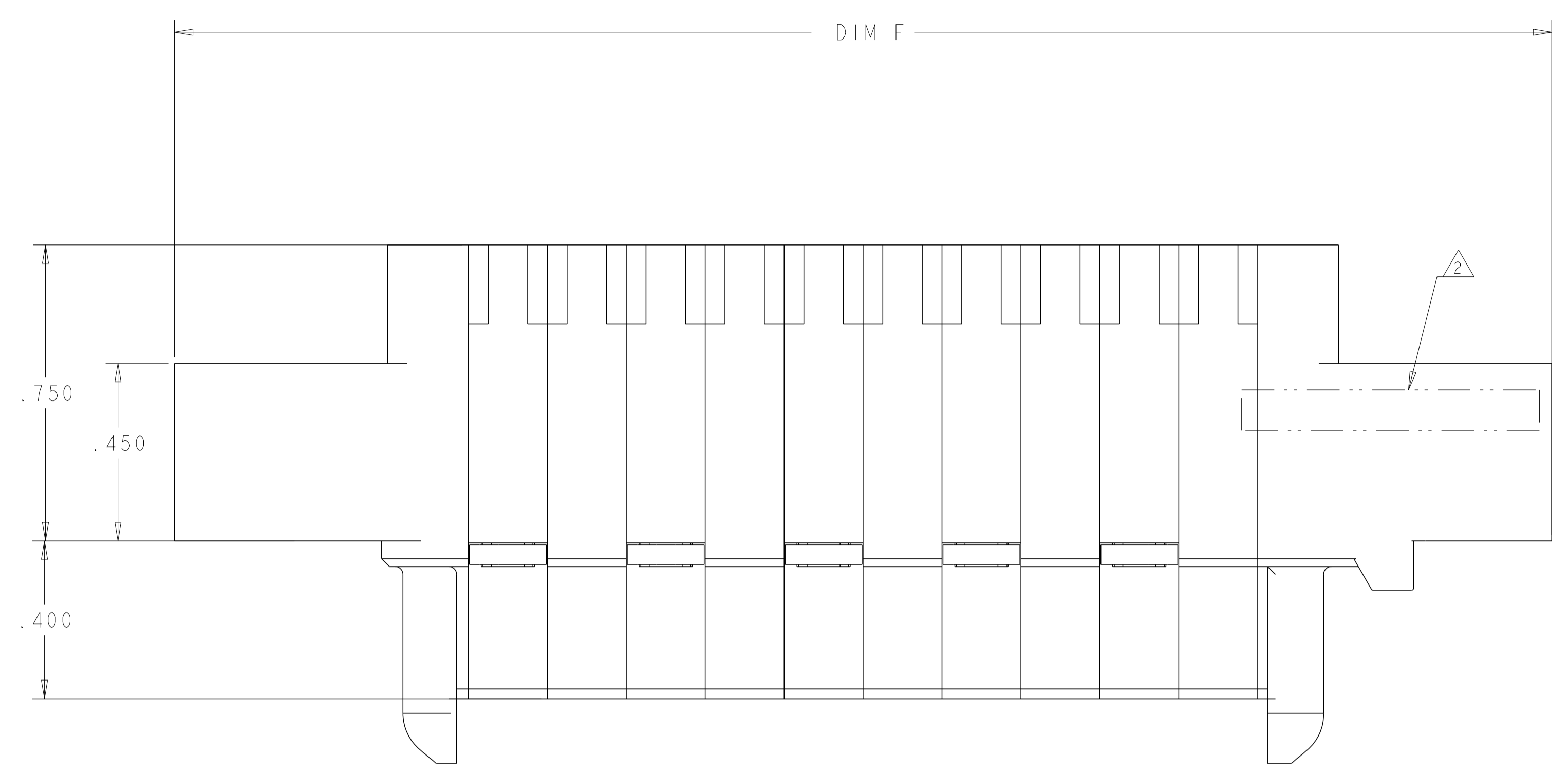
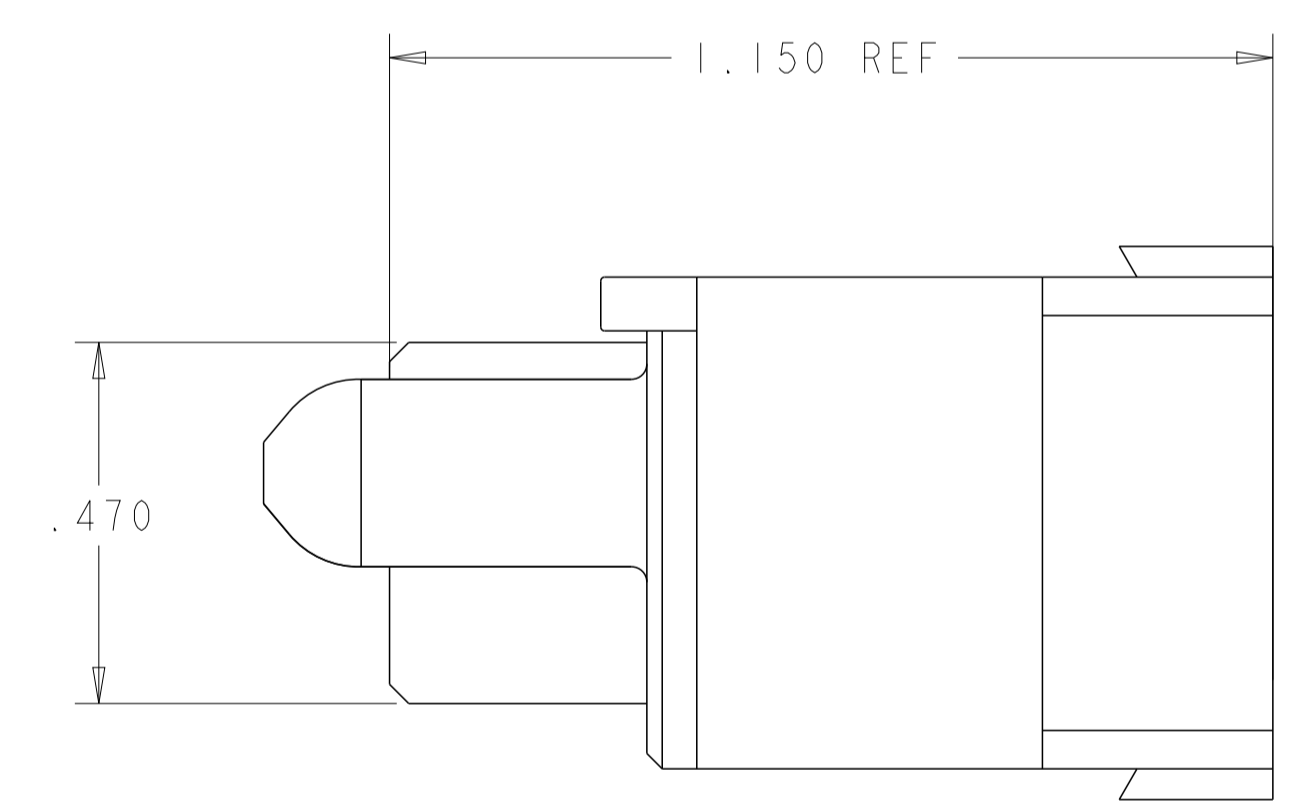
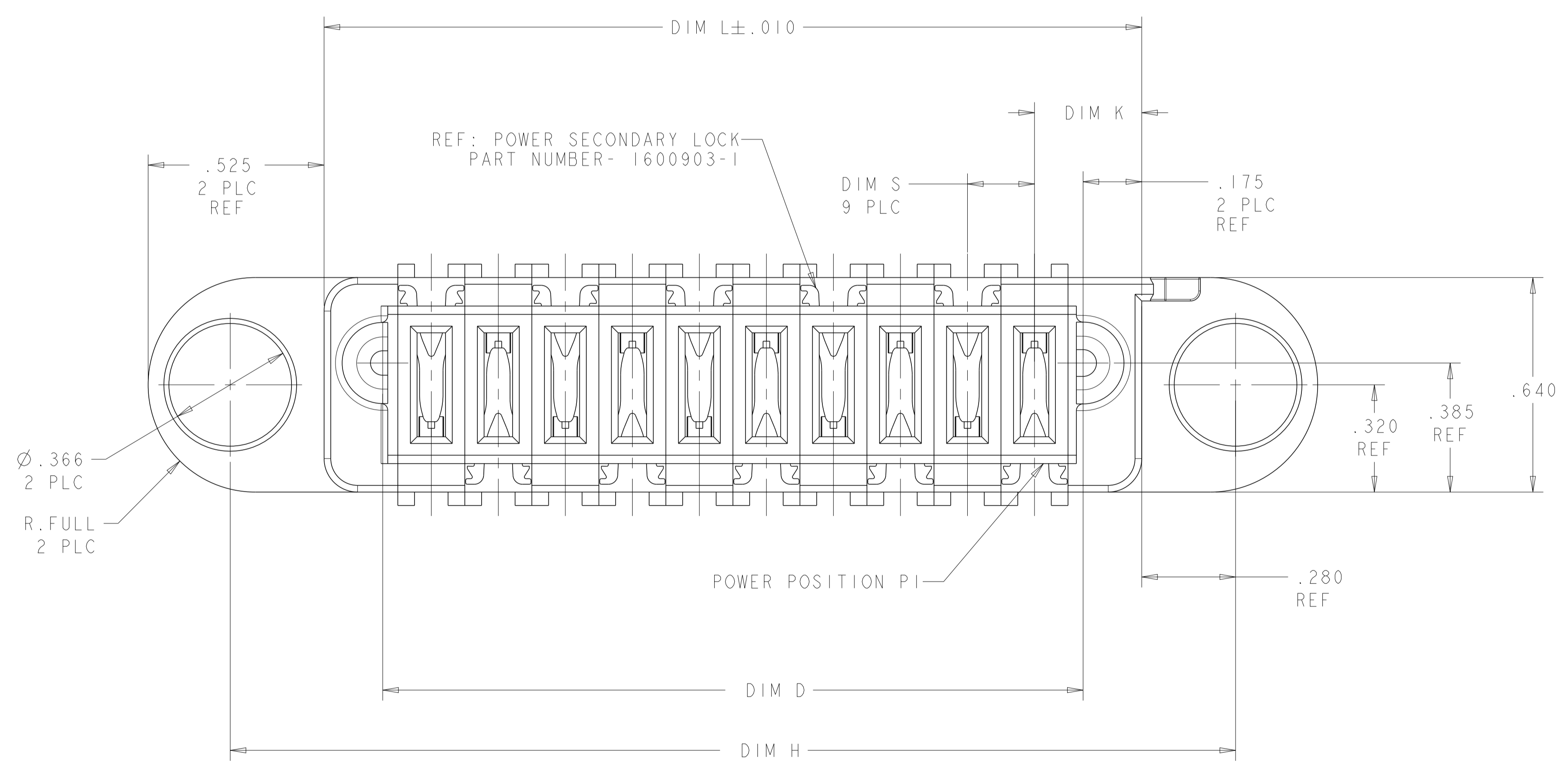


LOC	DIST	REVISIONS					
		P	LTN	DESCRIPTION	DATE	DWN	APVD
ES	00	B6		ADD NEW DASH NUMBER 1-5 AND 1-6	16MAR2021	CZ	SZ
		B7		ADDED NEW DASH NUMBER 1-7	07DEC2021	CZ	SH
		B8		REVISED 1-7	20JAN2022	CZ	SH
		B9		REVISED 1-7	27JAN2022	CZ	SH



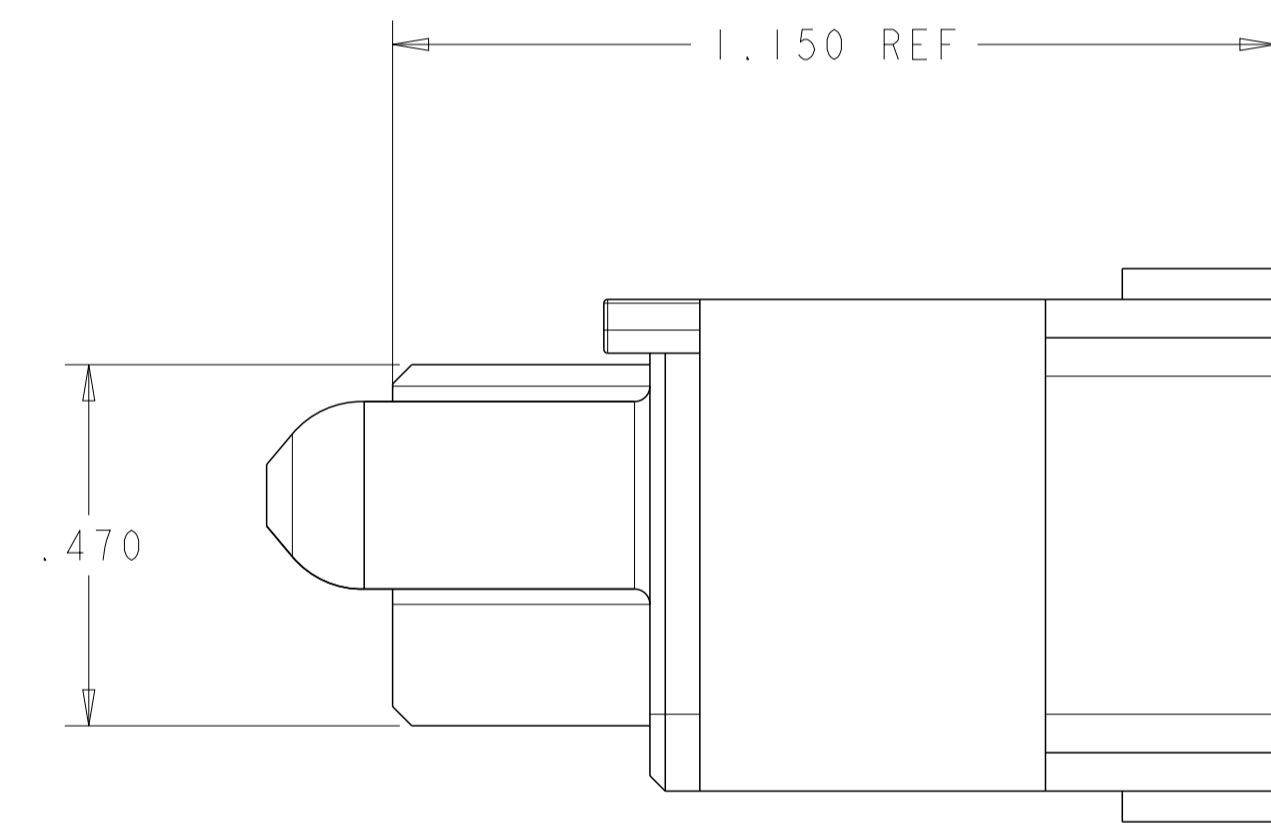
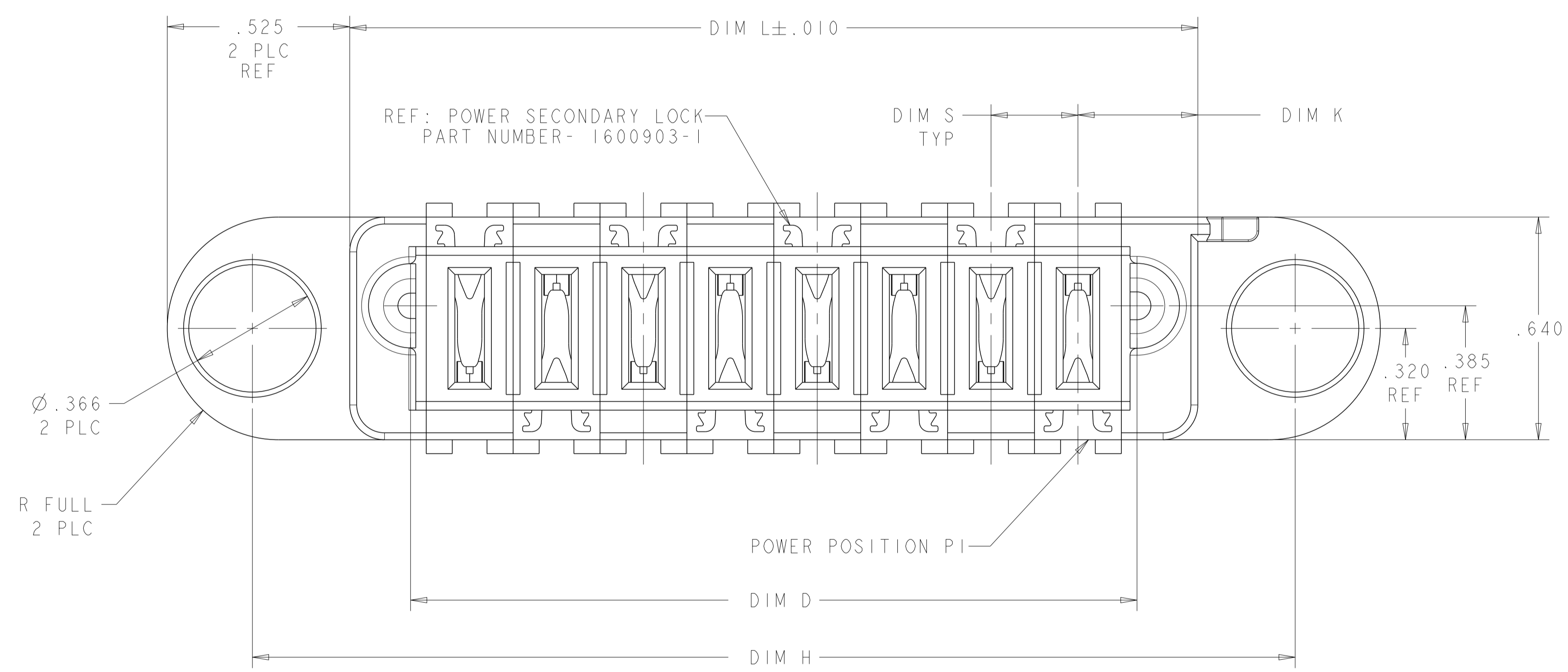
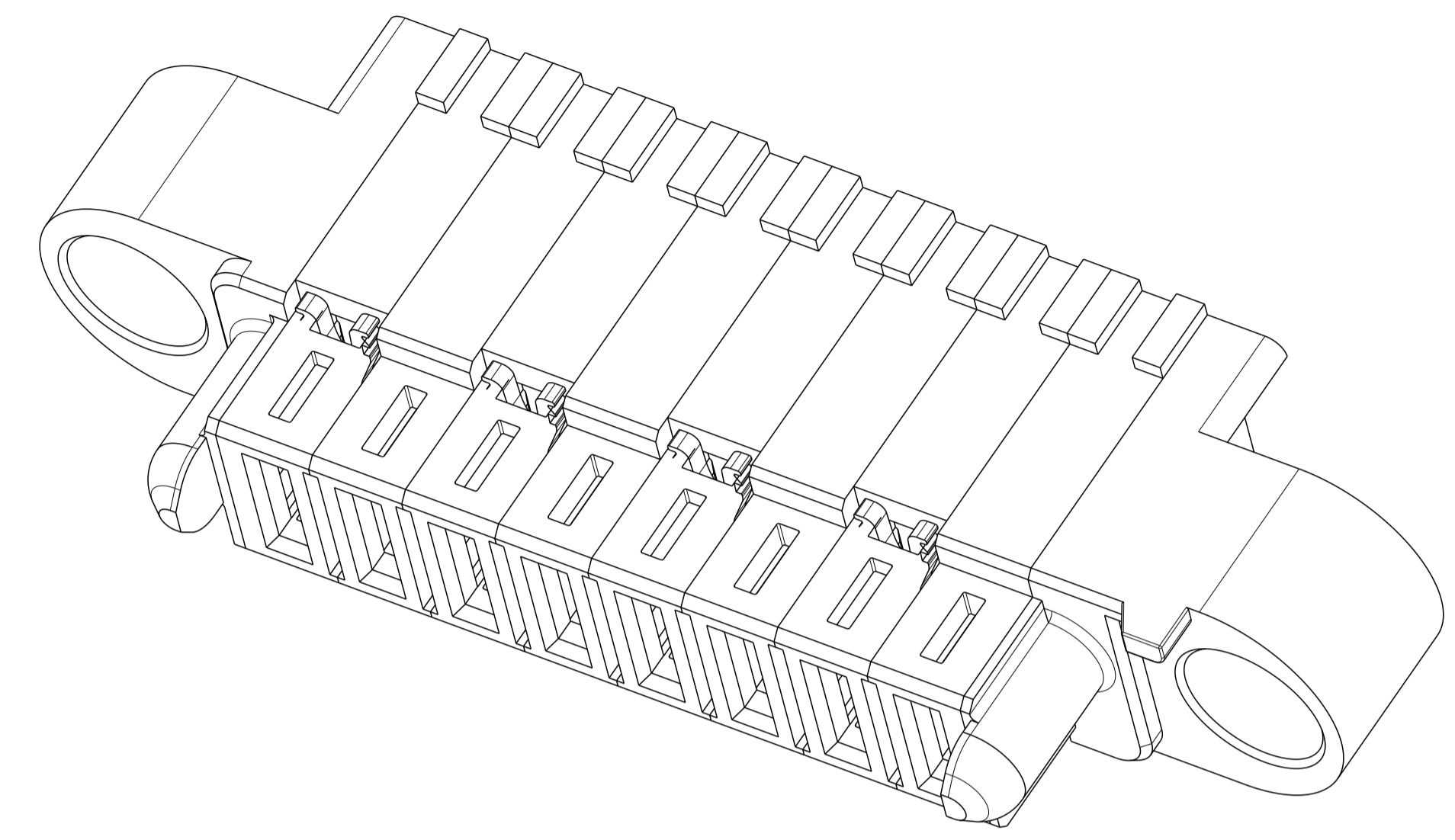
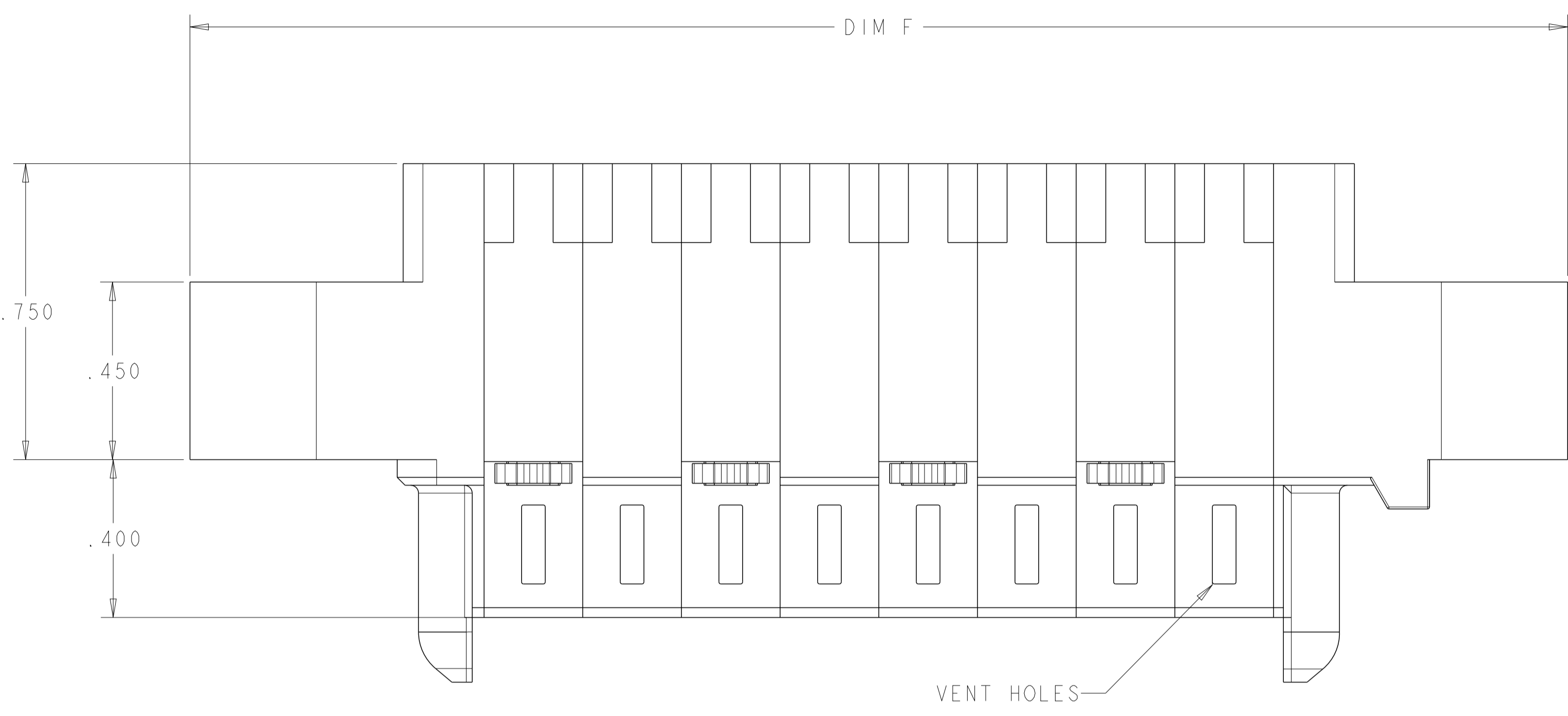
- △ OPTIONAL CENTER MODULE.
- △ COMPANY TRADEMARK, PART NUMBER, AND DATE CODE TO BE MARKED IN AREA SHOWN PARTS UNDER 2.00 LONG MAY BE MARKED ON BOTH SIDES.
- △ MATERIAL: THERMO PLASTIC, UL94 V-0.
- △ DATUM LOCATIONS AND BASIC DIMENSIONS TO BE ESTABLISHED BY THE CUSTOMER.
- △ BULKHEAD THICKNESS RANGE: .031 - .100
- △ CONNECTOR MATED TO PANEL FROM OPPOSITE SIDE.
- △ NO BURRS ALLOWED ON OPPOSITE (MATING) SIDE.
- △ CONNECTOR KEEP OUT ZONE.
- △ MOUNT CONNECTOR WITH TYCO HARDWARE KIT (1600914-7) FOR .050 [1.27mm] MIN RADIAL FLOAT.
- △ FOR THE CONFIGURATION WITH VENT, PLEASE REFER TO SHEET 2
- △ FOR VARIABLE DIMENSIONS, PLEASE SEE PART TABLE



10P	1892901-1
DESCRIPTION	PART NUMBER

THIS DRAWING IS A CONTROLLED DOCUMENT.		DWN C. ZHOU CHK S. ZHAO	27JUL2009	TE Connectivity
DIMENSIONS: INCHES		APVD S. ZHAO		
TOLERANCES UNLESS OTHERWISE SPECIFIED: 0 PLC ±. 1 PLC ±.01 2 PLC ±.01 3 PLC ±.005 4 PLC ±.0020 ANGLES ±.2° FINISH -		NAME PANEL MOUNT CABLE RECEPTACLE HOUSING WITH SLIM GUIDES MULTI-BEAM XLE	PRODUCT SPEC 108-2175	RESTRICTED TO
MATERIAL 3		APPLICATION SPEC 114-13112	SIZE A100779	SCALE 4:1
Customer Drawing		WEIGHT	REV B9	

LOC	DIST	REVISIONS			
P	LTN	DESCRIPTION	DATE	DMN	APVD
-	-	SEE SHEET 1	-	-	-



2.550	1.640	.400	.395	1.990	3.040	4P(10AWG)	1-1892901-7
5.200	4.290	.300	.370	4.640	5.690	14ACP(8AWG)	1-1892901-6
5.200	4.290	.300	.370	4.640	5.690	14ACP(8AWG)	1-1892901-5
2.150	1.240	.300	.345	1.590	2.640	4ACP(8AWG)	1-1892901-1
2.700	1.790	.350	.370	2.140	3.190	5ACP(8AWG)	1-1892901-0
2.890	1.980	.115	.3025	2.330	3.380	16LP(14AWG)	1892901-9
3.650	2.740	▲	.345	3.090	4.140	11P	1892901-8 ▲
2.950	2.040	.425	.345	2.390	3.440	5P	1892901-7
1.850	.940	.300	.345	1.290	2.340	3ACP	1892901-6
3.550	2.640	.375	.370	2.990	4.040	7ACP	1892901-5
2.375	1.465	.375	.345	1.815	2.865	4P	1892901-4
1.850	.940	.300	.345	1.290	2.340	3ACP	1892901-3
3.000	2.090	.250	.345	2.440	3.490	8P	1892901-2
3.000	2.090	.200	.320	2.440	3.490	10P	1892901-1
DIM H	DIM D	DIM S	DIM K	DIM L	DIM F	DESCRIPTION	PART NUMBER

▲ FOR THE CONFIGURATION WITH VENT HOLES

THIS DRAWING IS A CONTROLLED DOCUMENT.

DMN: C. ZHOU 27JUL2009  
CHK: S. ZHAO 27JUL2009

DIMENSIONS: INCHES  
TOLERANCES UNLESS OTHERWISE SPECIFIED:  
0 PLC ±.  
1 PLC ±.01  
2 PLC ±.01  
3 PLC ±.005  
4 PLC ±.002  
ANGLES ±.2°

MATERIAL: -  
FINISH: -

APVD: S. ZHAO  
PRODUCT SPEC: 108-2175  
APPLICATION SPEC: 114-13112  
WEIGHT: -

Customer Drawing

SCALE: 4:1 SHEET 2 OF 4 REV B9

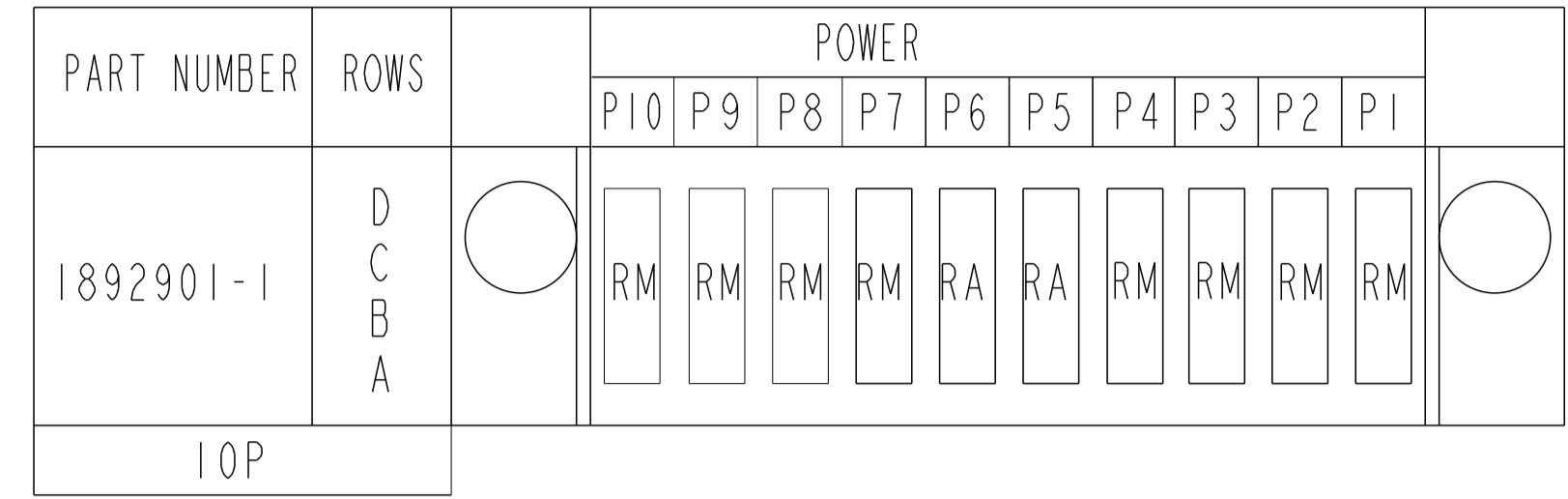
TE Connectivity

PANEL MOUNT CABLE RECEPTACLE HOUSING WITH SLIM GUIDES MULTI-BEAM XLE

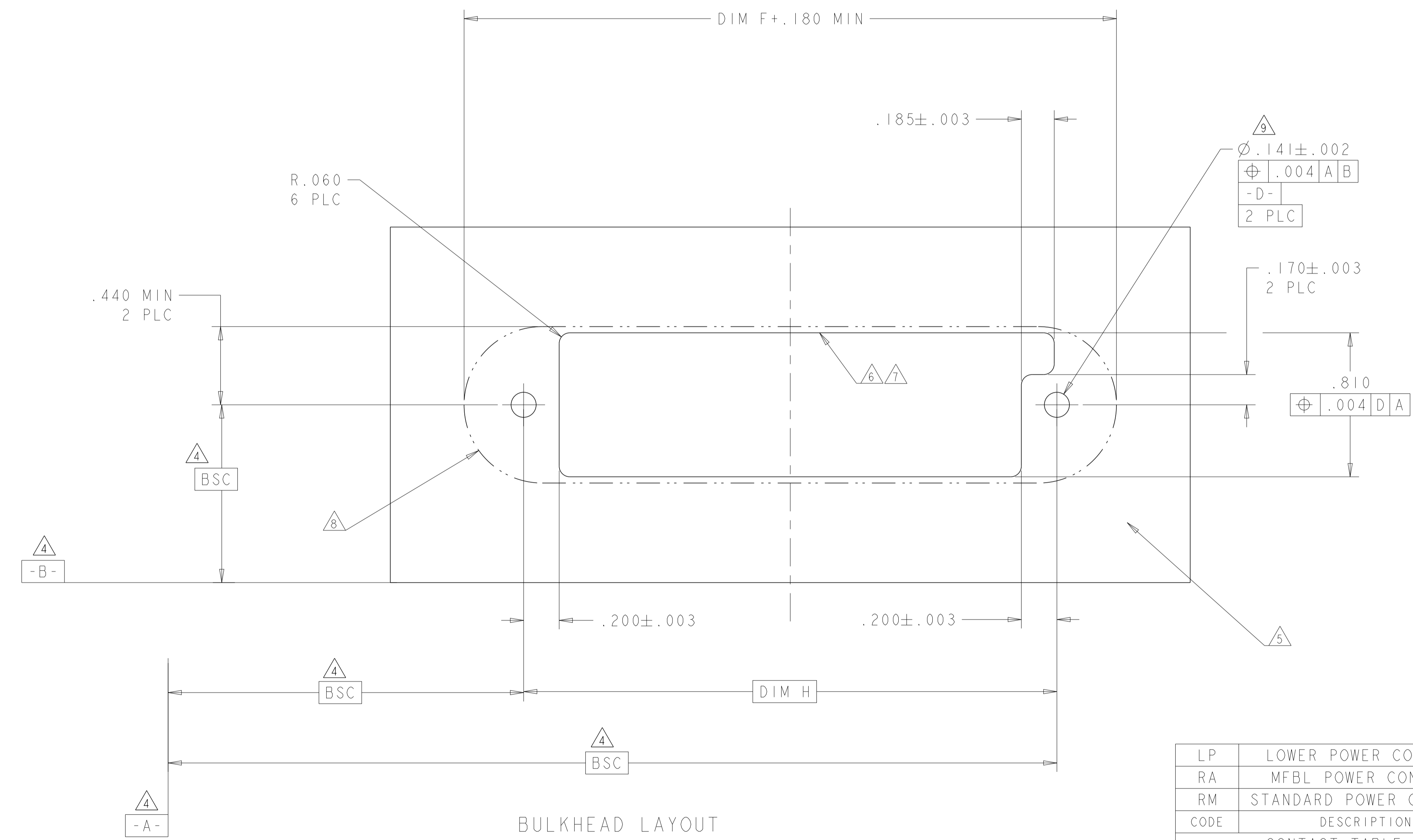
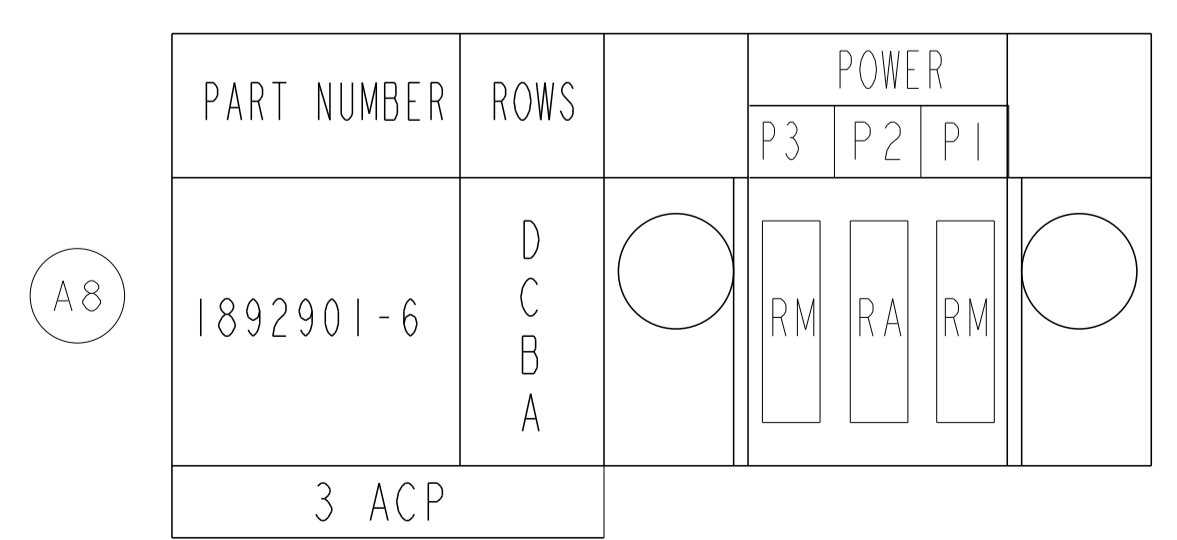
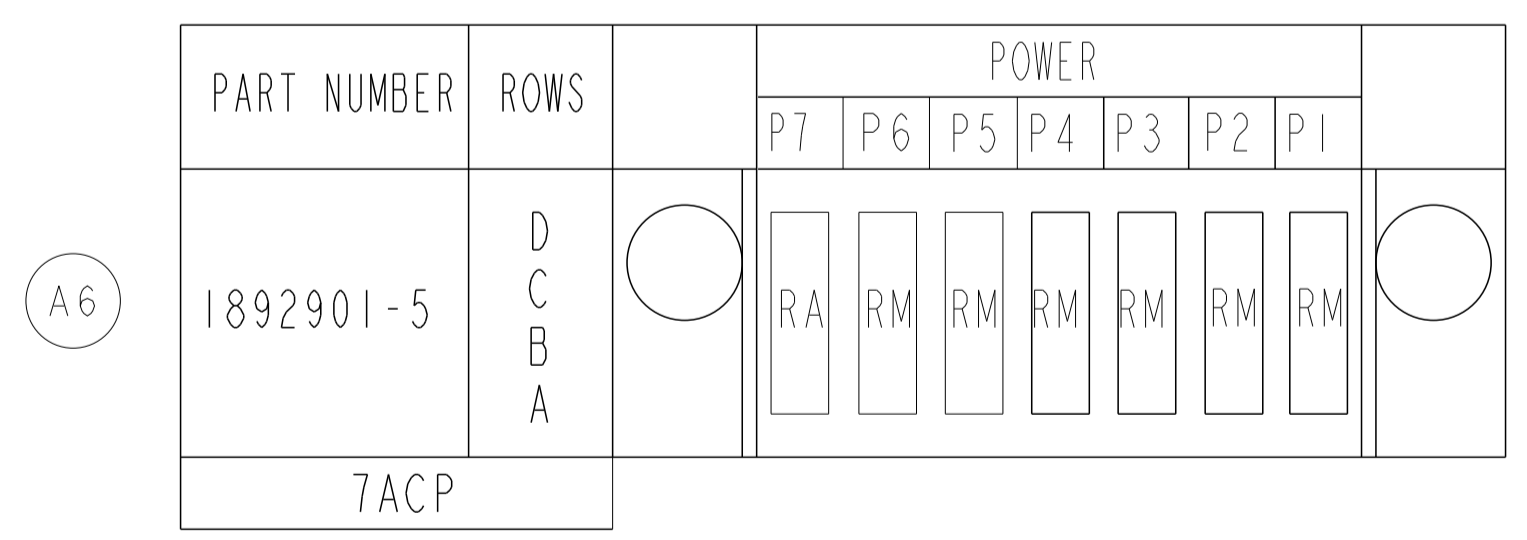
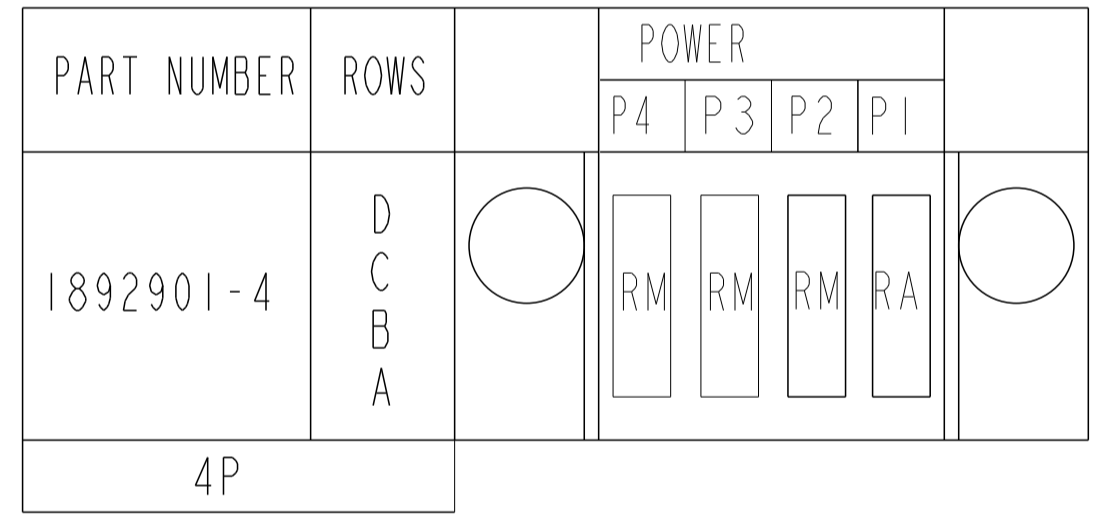
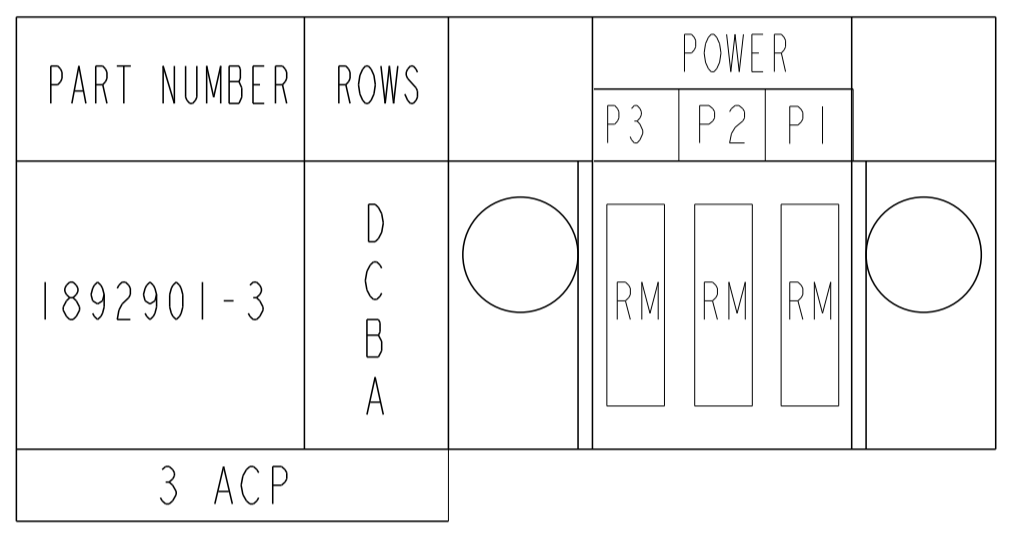
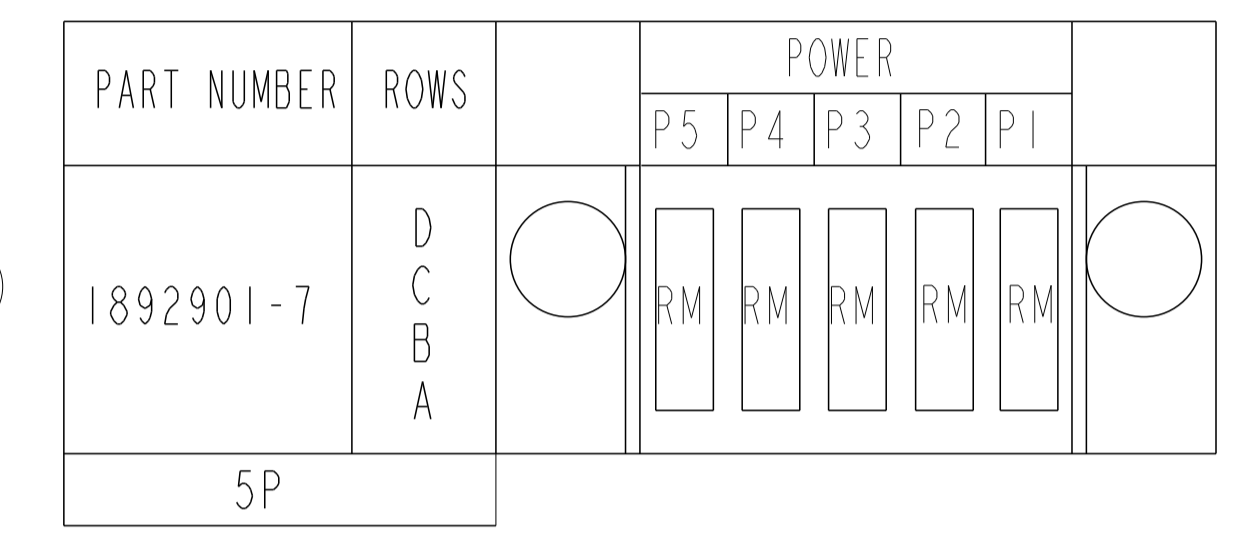
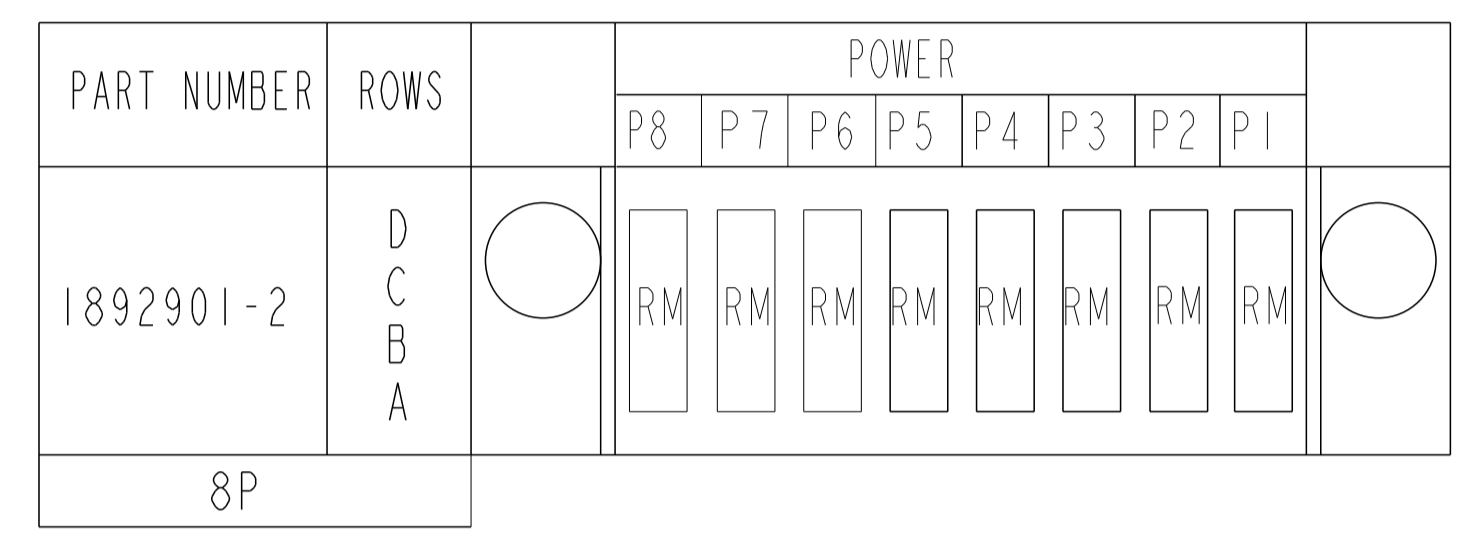
SIZE: A1 CAGE CODE: 100779 DRAWING NO: 1892901

LOC	DIST	REVISIONS					
ES	00	P	LTN	DESCRIPTION	DATE	DWN	APVD
-	-	-	-	SEE SHEET 1	-	-	-

REFERENCE POWER WIRE CHART - RM & RA CONTACTS		
HOUSING MODULE	CONTACT	INSULATION DIAMETER RANGE
.300	8-10 1600960 REF	[.176-.272]
.250	8-10 1600960 REF	[.176-.203]
	12-14 1600961 REF	[.156-.176]
.200	12-14 1600961 REF	[.120-.156]
.100	22-26 5531216-3 REF	[.036-.069]



REFERENCE ONLY FOR 1892901-1 POWER WIRE (300V) CHART - RM & RA CONTACTS		
HOUSING MODULE	CONTACT	INSULATION DIAMETER RANGE
.200	10 1600961 REF	[.175-.190]



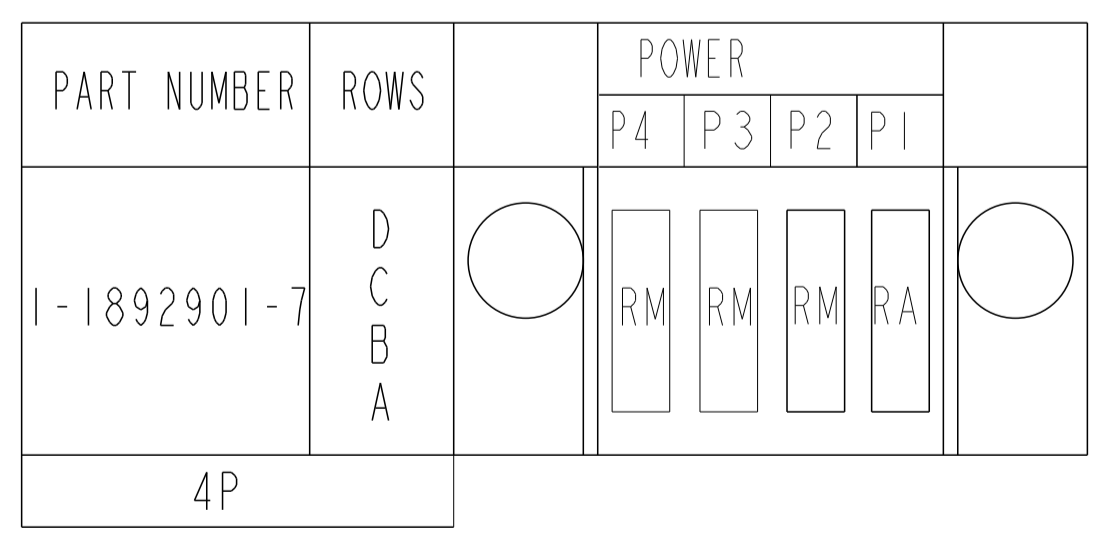
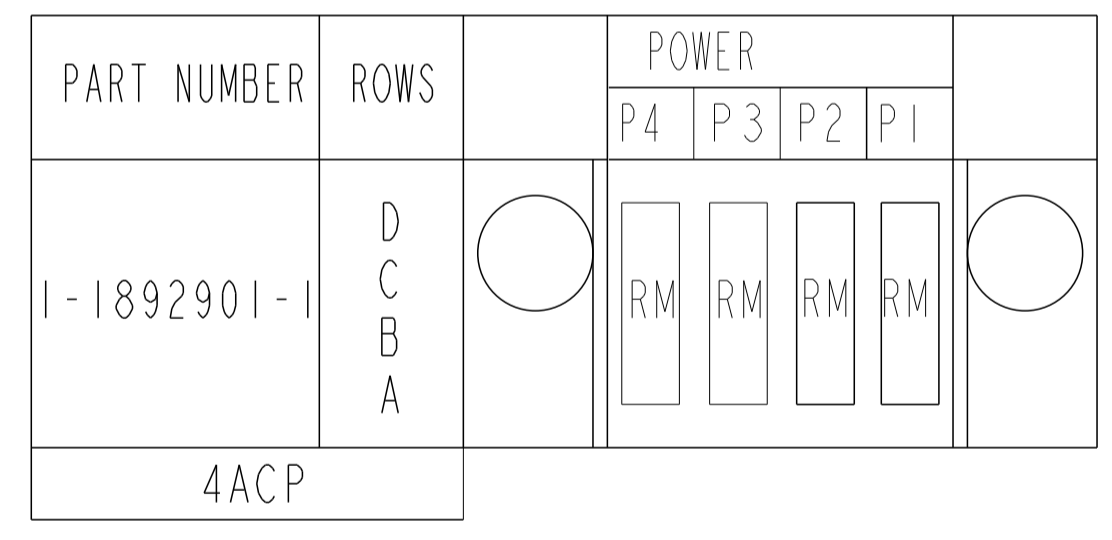
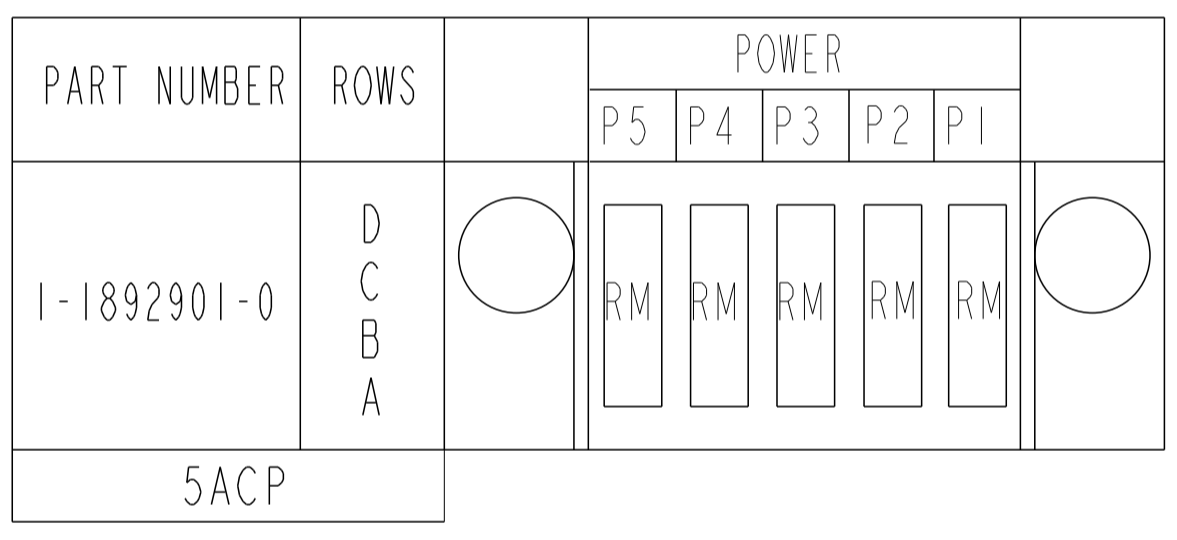
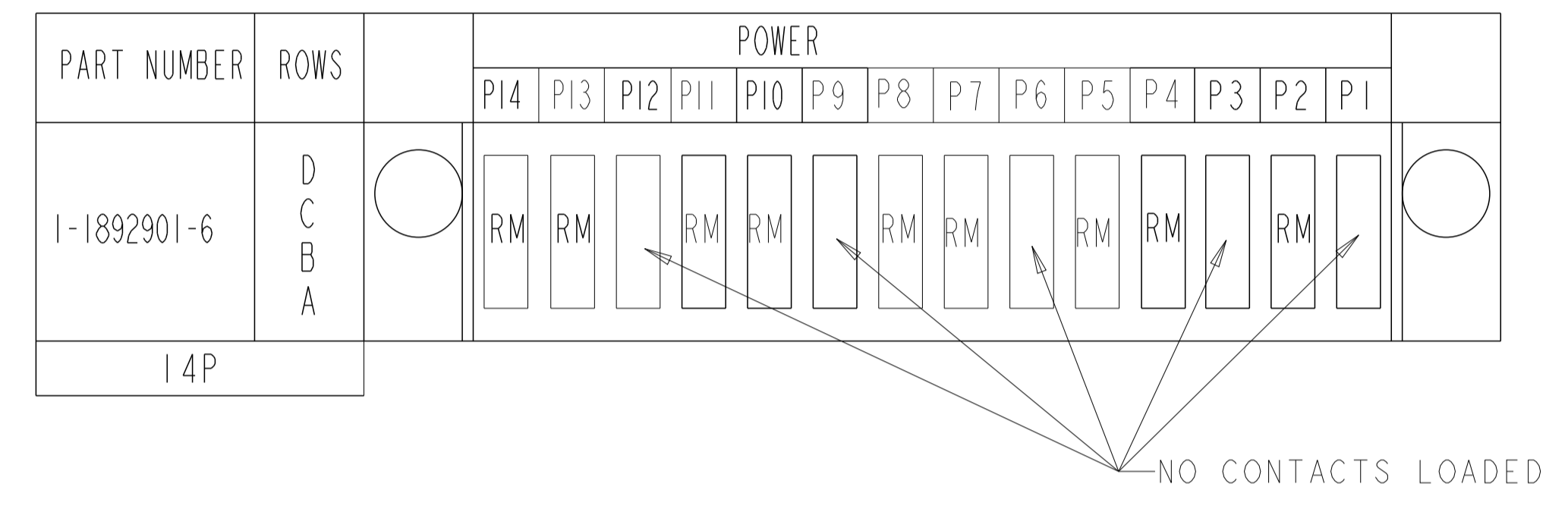
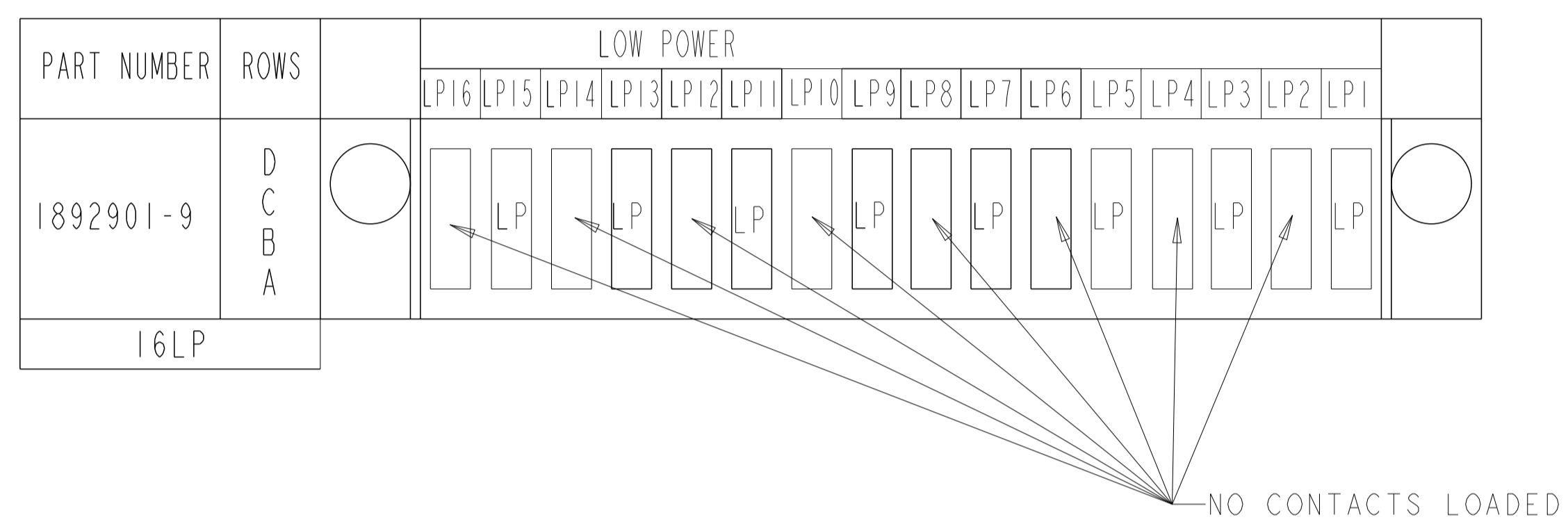
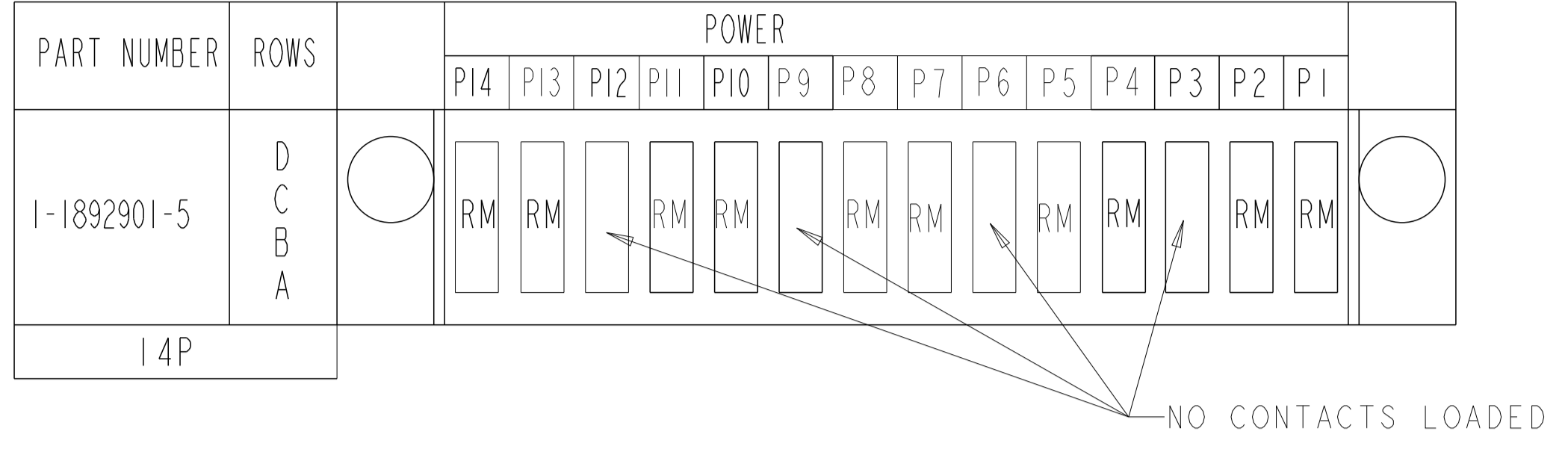
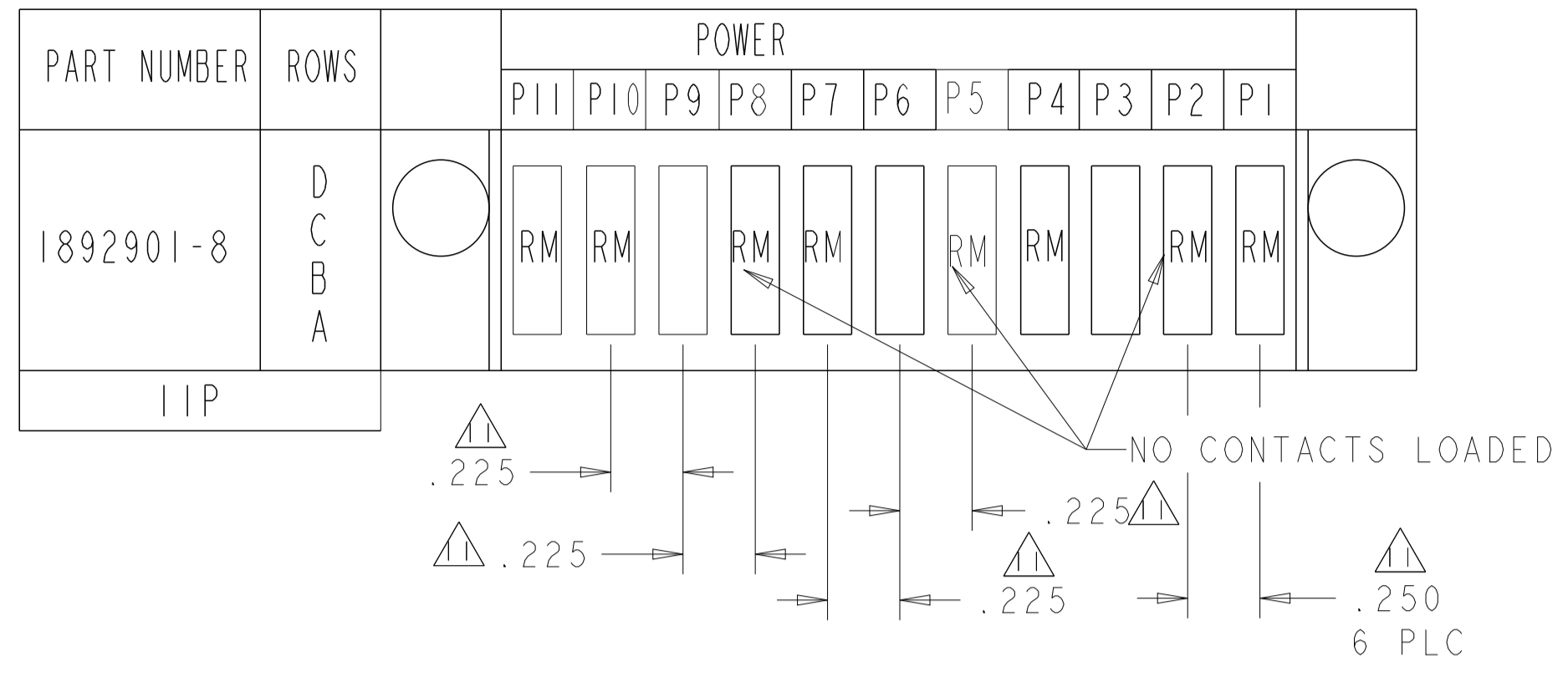
LP	LOWER POWER CONTACT
RA	MFBL POWER CONTACT
RM	STANDARD POWER CONTACT
CODE	DESCRIPTION
CONTACT TABLE	

THIS DRAWING IS A CONTROLLED DOCUMENT.

DIMENSIONS: INCHES	TOLERANCES UNLESS OTHERWISE SPECIFIED:	DWN C. ZHOU 27JUL2009	CHK S. ZHAO 27JUL2009
0 PLC ±.01	1 PLC ±.01	APVD S. ZHAO	NAME
2 PLC ±.01	3 PLC ±.005	PRODUCT SPEC	108-2175
4 PLC ±.0020	ANGLES ±.0020	APPLICATION SPEC	114-13112
MATERIAL	FINISH	WEIGHT	Customer Drawing

SCALE 4:1 SHEET 3 OF 4 REV B9

LOC		DIST		REVISIONS			
P	LTN	DATE	DMN	APVD			
-	SEE SHEET 1	-	-	-			



THIS DRAWING IS A CONTROLLED DOCUMENT.		DMN C. ZHOU 27JUL2009	TE Connectivity
DIMENSIONS: INCHES		CHK S. ZHAO 27JUL2009	
		APVD S. ZHAO	NAME PANEL MOUNT CABLE RECEPTACLE HOUSING WITH SLIM GUIDES MULTI-BEAM XLE
TOLERANCES UNLESS OTHERWISE SPECIFIED:		PRODUCT SPEC	RESTRICTED TO
0 PLC ±.01		108-2175	SIZE A100779
2 PLC ±.01		APPLICATION SPEC	DRAWING NO C=1892901
3 PLC ±.005		114-13112	WEIGHT
4 PLC ±.0020		Customer Drawing	SCALE 4:1
ANGLES ±.2°		Customer Drawing	SHEET 4 OF 4
FINISH		Customer Drawing	REV B9