

4

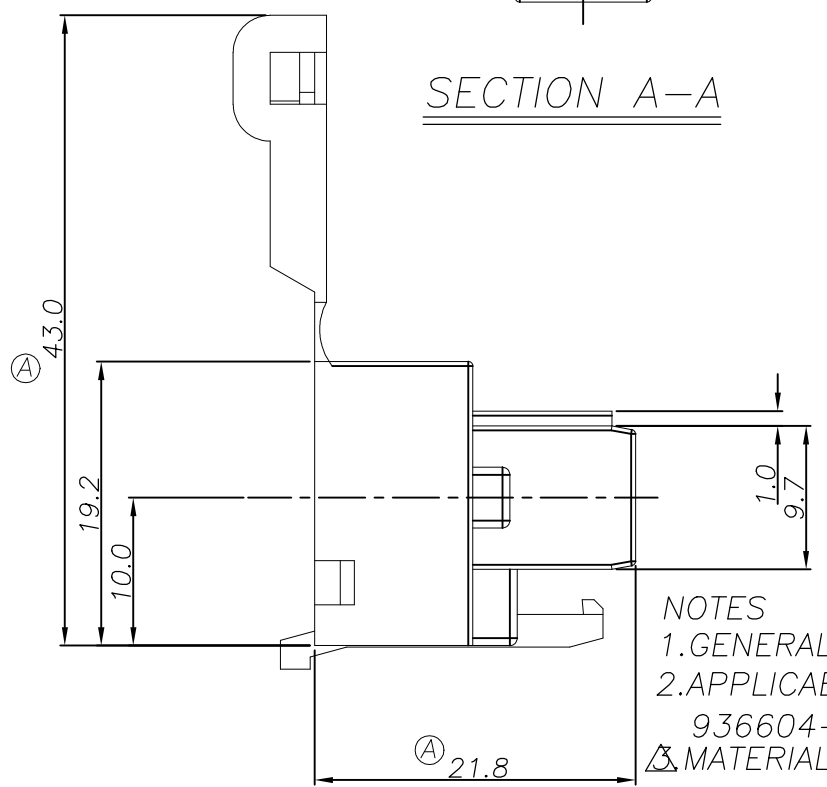
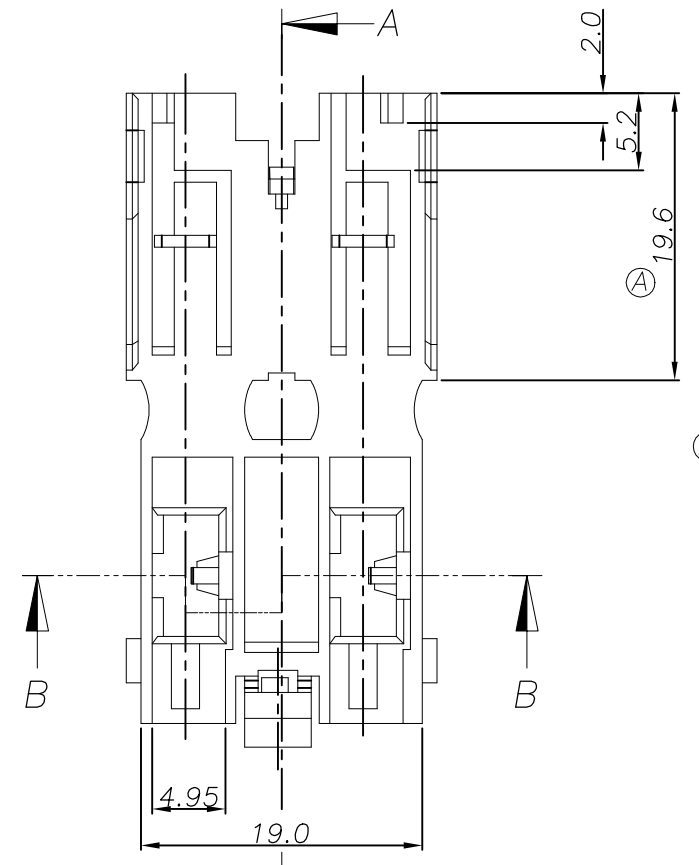
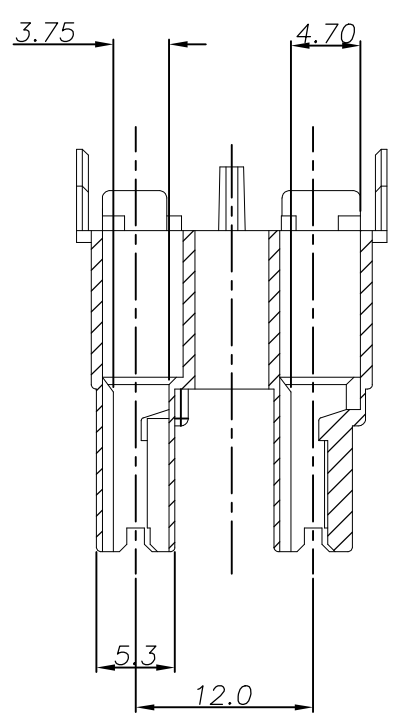
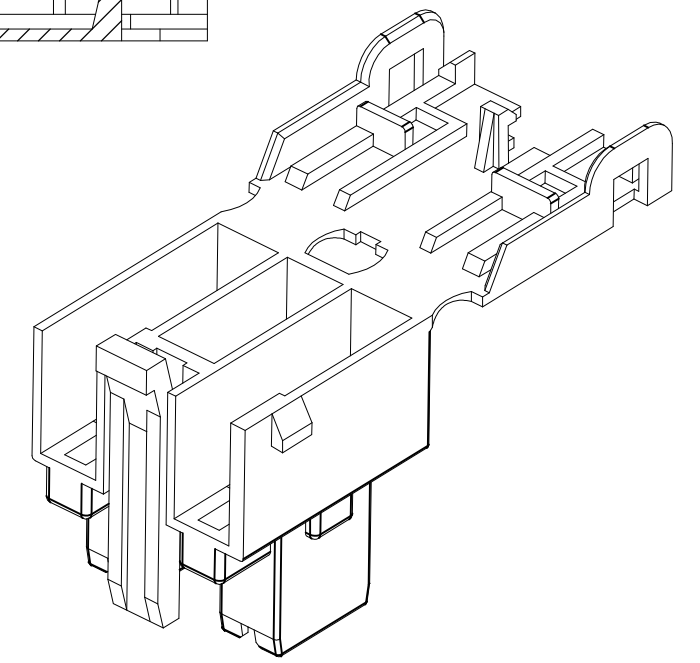
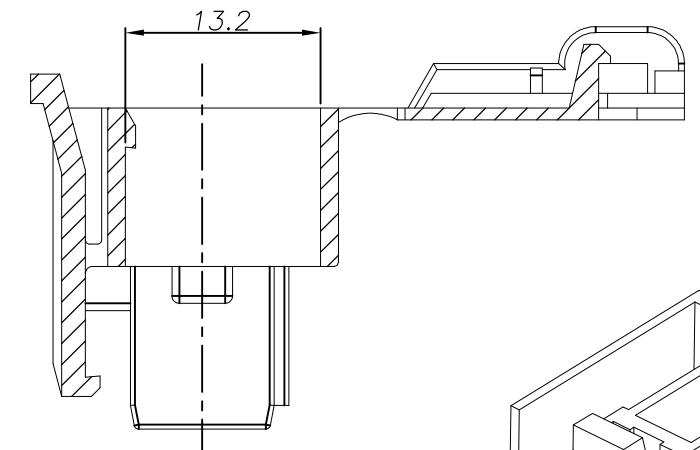
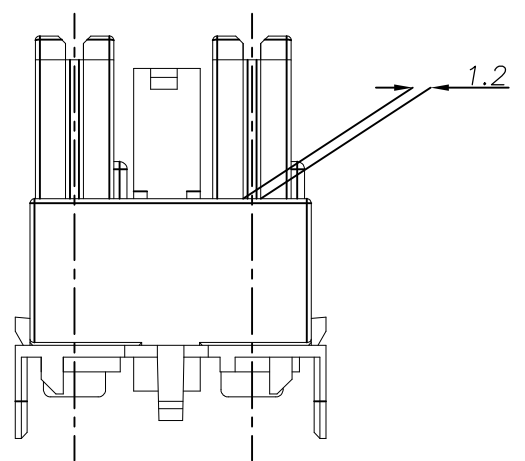
3

2

1

THIS DRAWING IS UNPUBLISHED. RELEASED FOR PUBLICATION
© COPYRIGHT BY TYCO ELECTRONICS CORPORATION. ALL RIGHTS RESERVED.

LOC	DIST	REVISIONS					
		P	LTR	DESCRIPTION	DATE	DWN	APVD
DS	-		A1	REVISED (ECR-18-017108)	22OCT.'18	BH	E.W
			A2	REVISED (ECR-19-006537)	24APR.'19	BH	E.W



NOTES
 1. GENERAL TOLERANCES : ±0.25, ±1
 2. APPLICABLE CONTACT P/N : 936603-1, 936604-1, 936605-1.
 3. MATERIAL : PA66, UL 94V-0, GWT 775°C, GWT 750°C

1-1743206-2	Ⓜ	BLACK
1-1743206-1	Ⓜ	NATURAL
Ⓜ 1743206-2	PA66, UL 94V-0	BLACK
Ⓜ 1743206-1	PA66, UL 94V-0	NATURAL
P/N	MATERIAL	COLOR

THIS DRAWING IS A CONTROLLED DOCUMENT FOR TYCO ELECTRONICS CORPORATION
 IT IS SUBJECT TO CHANGE AND THE CONTROLLING ENGINEERING ORGANIZATION
 SHOULD BE CONTACTED FOR THE LATEST REVISION.

DIMENSIONS: MM	TOLERANCES UNLESS OTHERWISE SPECIFIED:	DWN BH CHO
	0 PLC ±	CHK BW KANG
	1 PLC ±	APVD JK SONG
	2 PLC ±	PRODUCT SPEC 108-61105
	3 PLC ±	APPLICATION SPEC 114-61019
	4 PLC ±	WEIGHT -
	ANGLES ±	SIZE A3
MATERIAL -	FINISH -	CAGE CODE 00779
		DRAWING NO 1743206
		RESTRICTED TO -
		CUSTOMER DRAWING



NAME 250 FLAG POSITIVE LOCK 2P HSG(Pitch=12mm)			
SCALE 2/1	SHEET 1	OF 1	REV A2