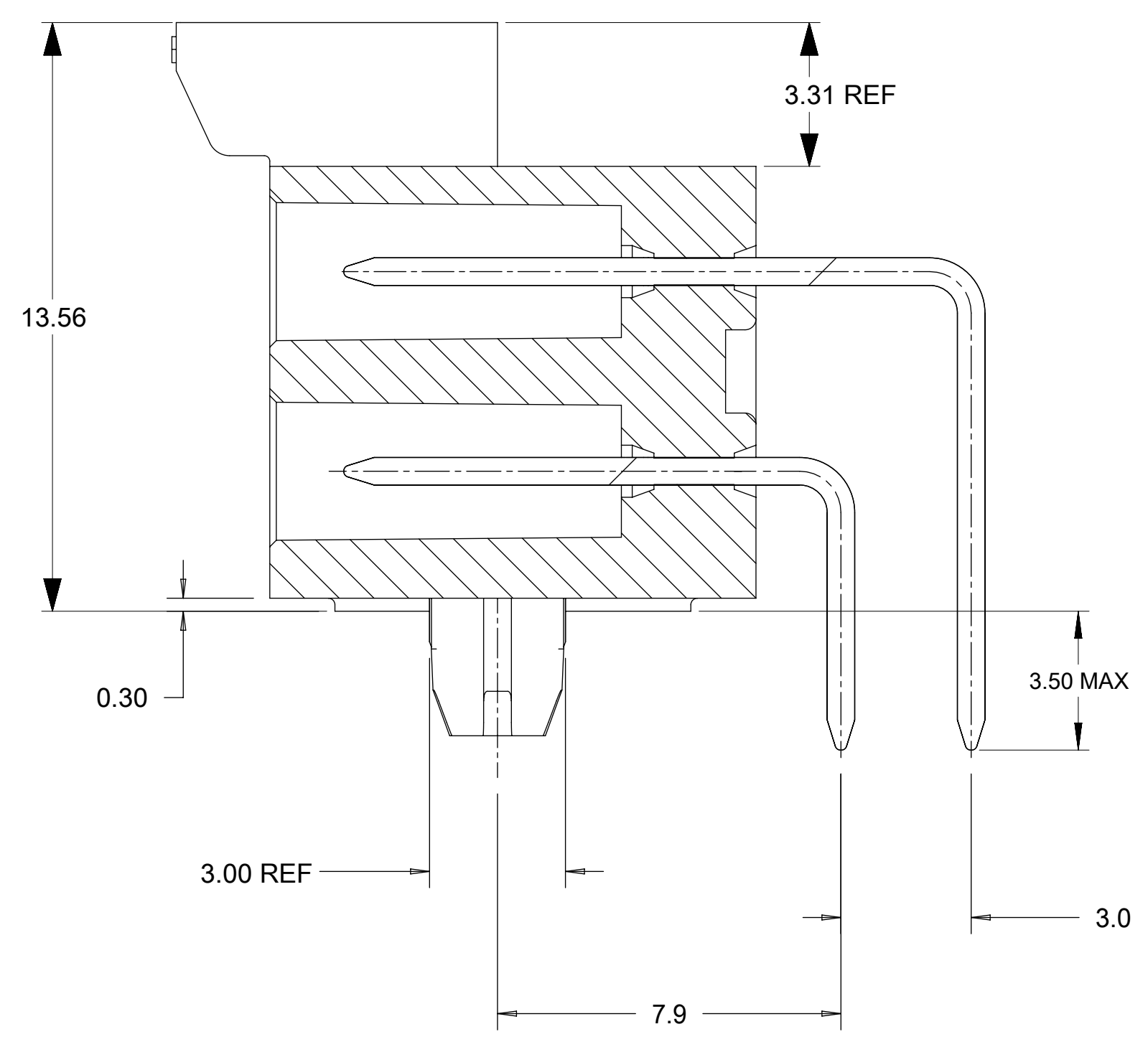
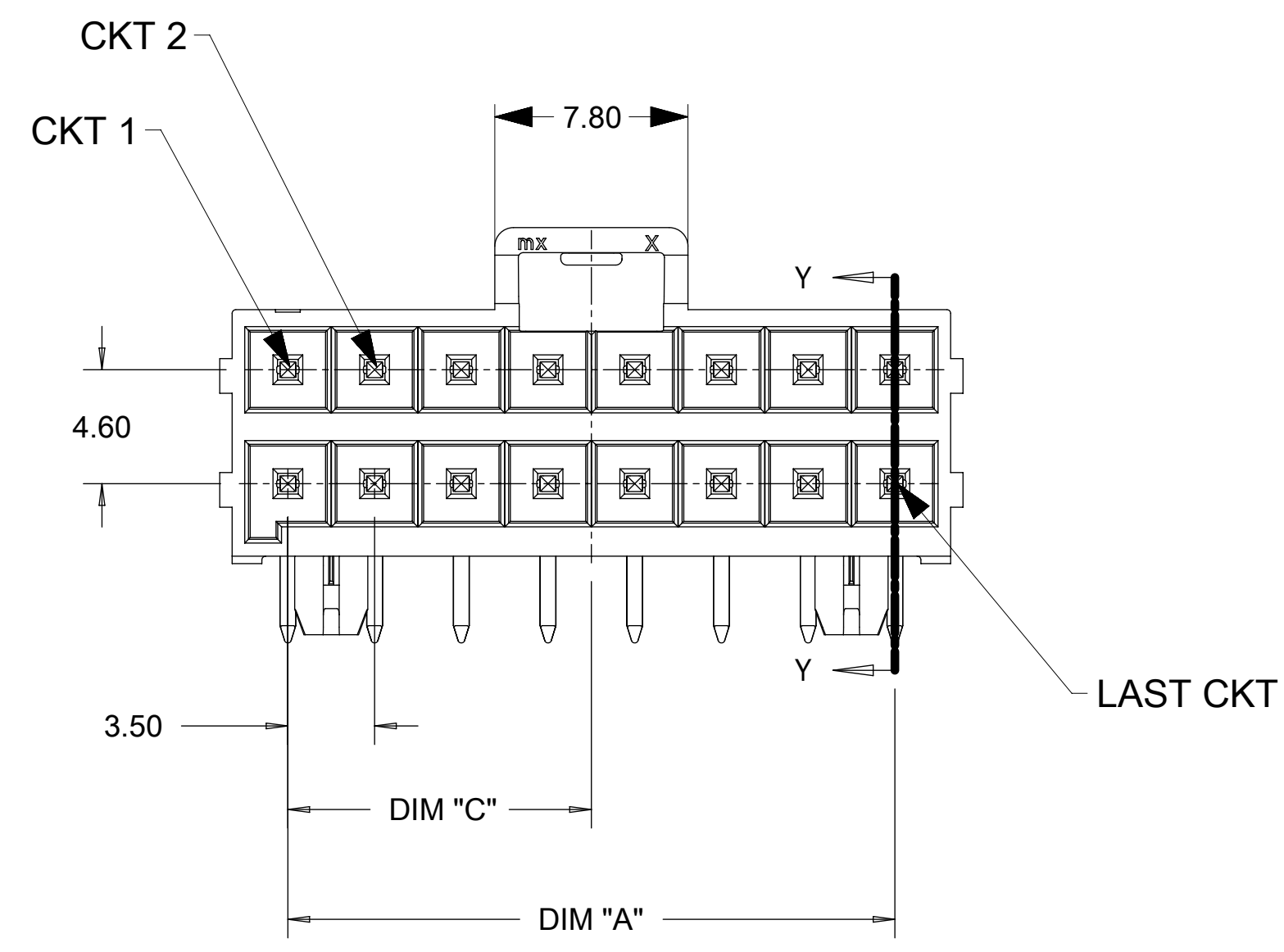
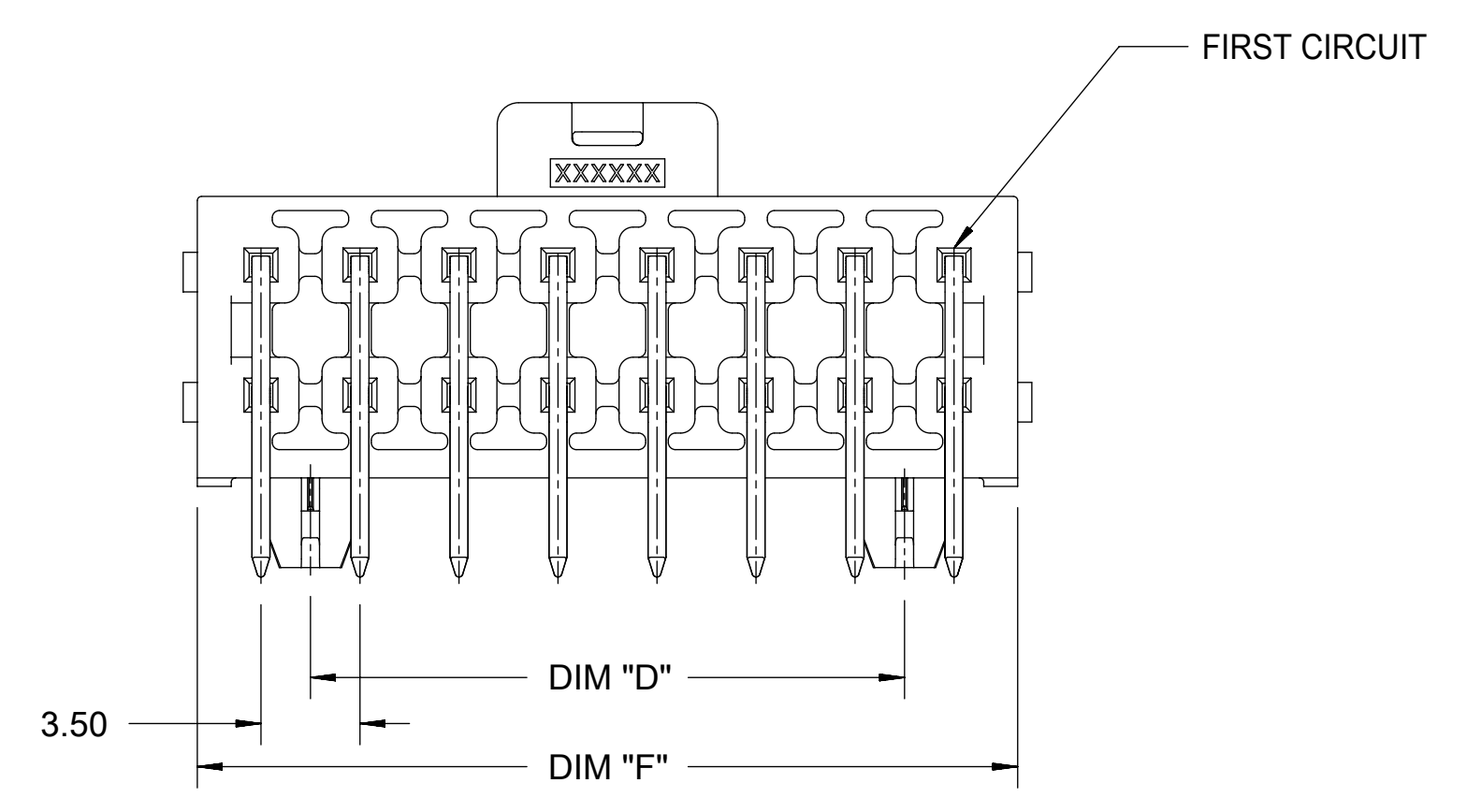


FIRST CIRCUIT MARK  
(NOT SHOWING ON 4  
AND 6 CIRCUITS SERIES)

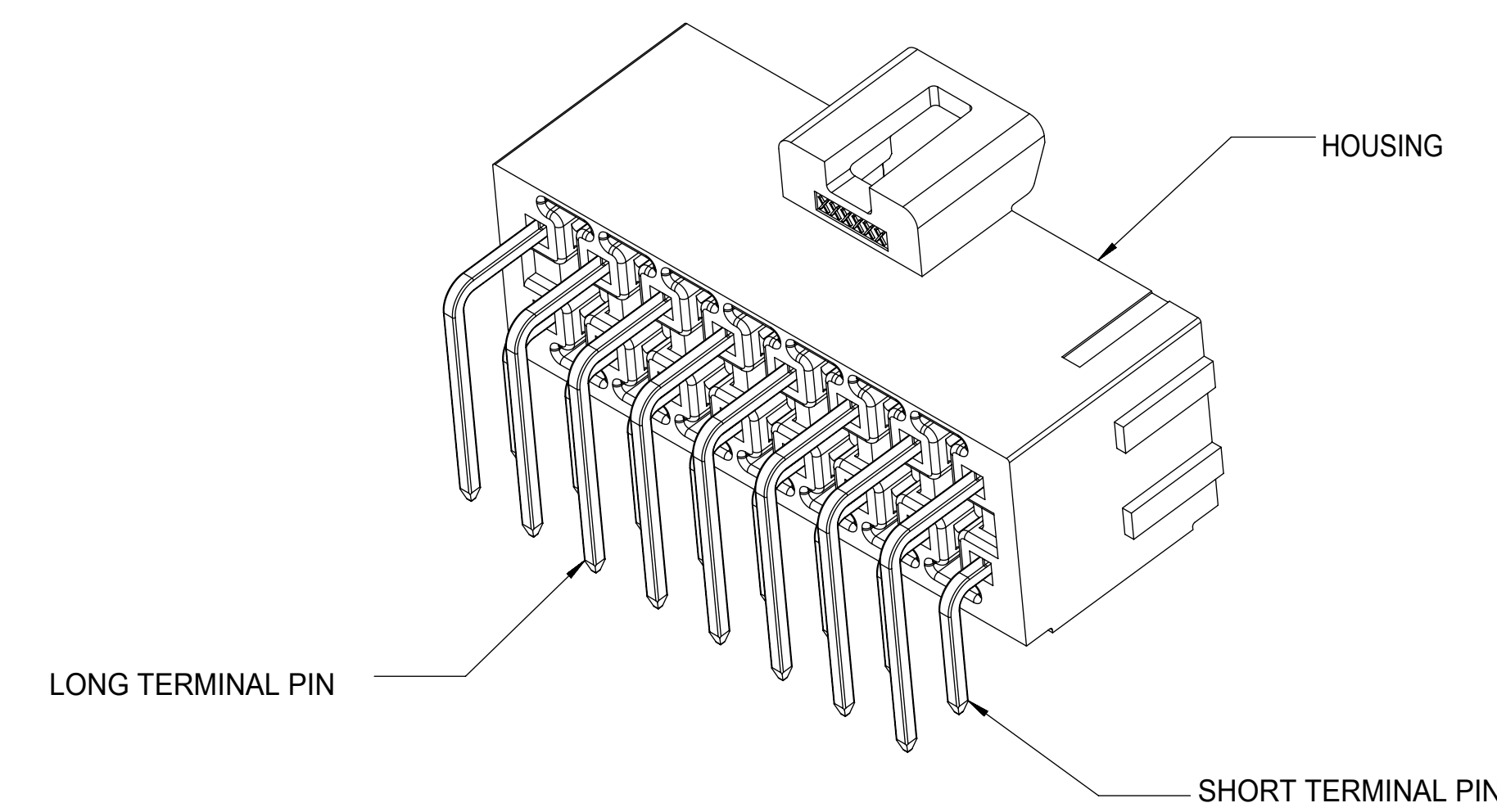
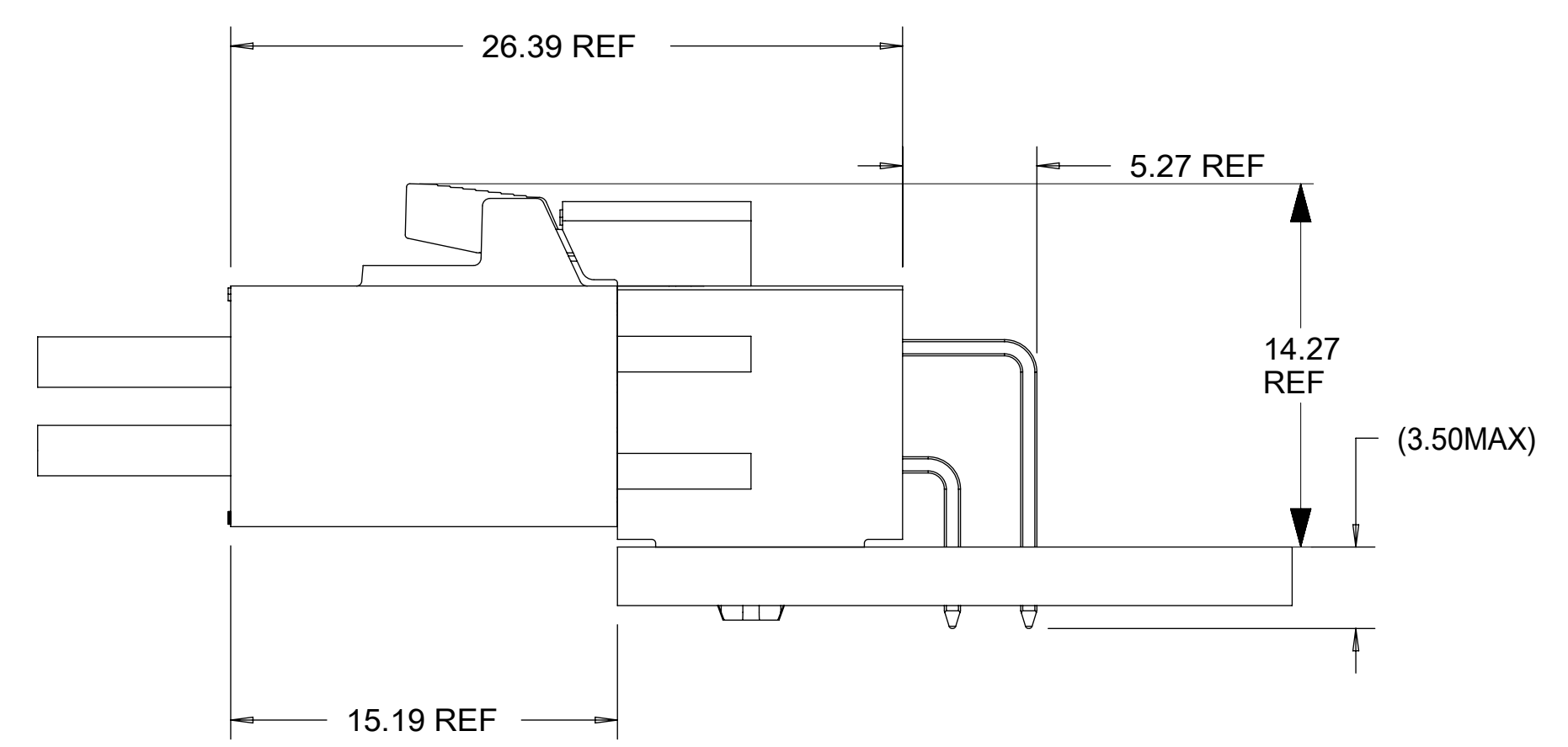


SECTION Y-Y  
SCALE 8:1



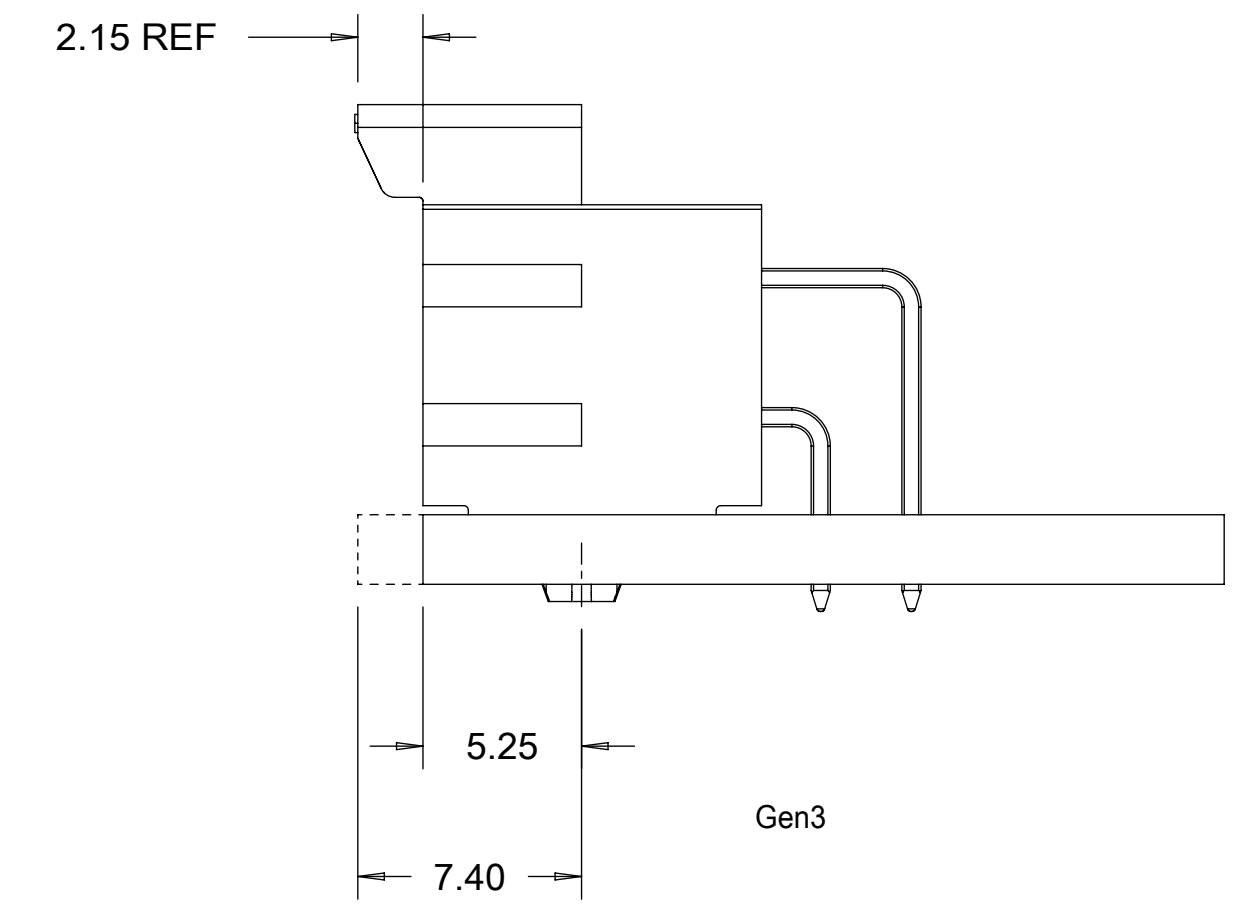
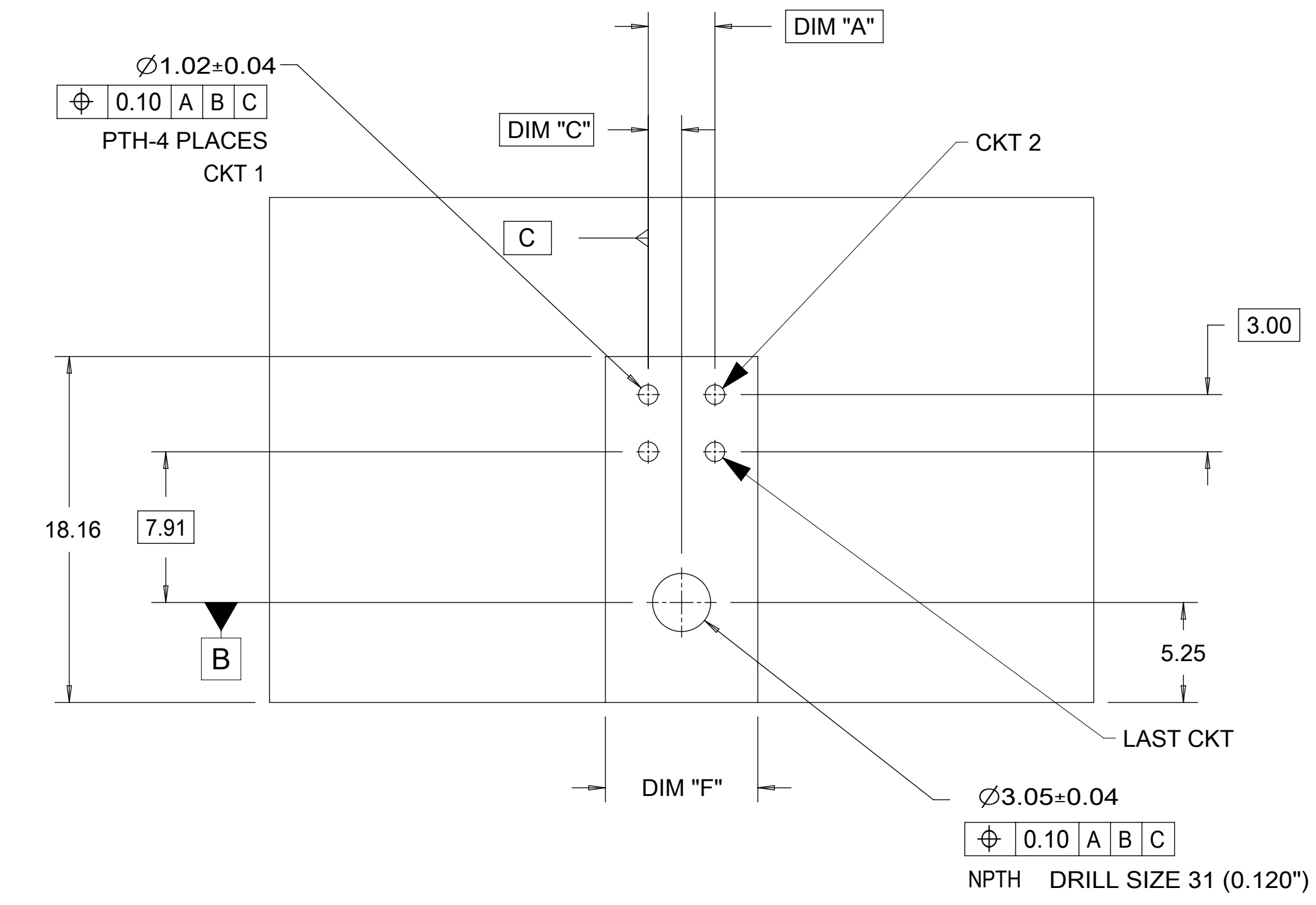
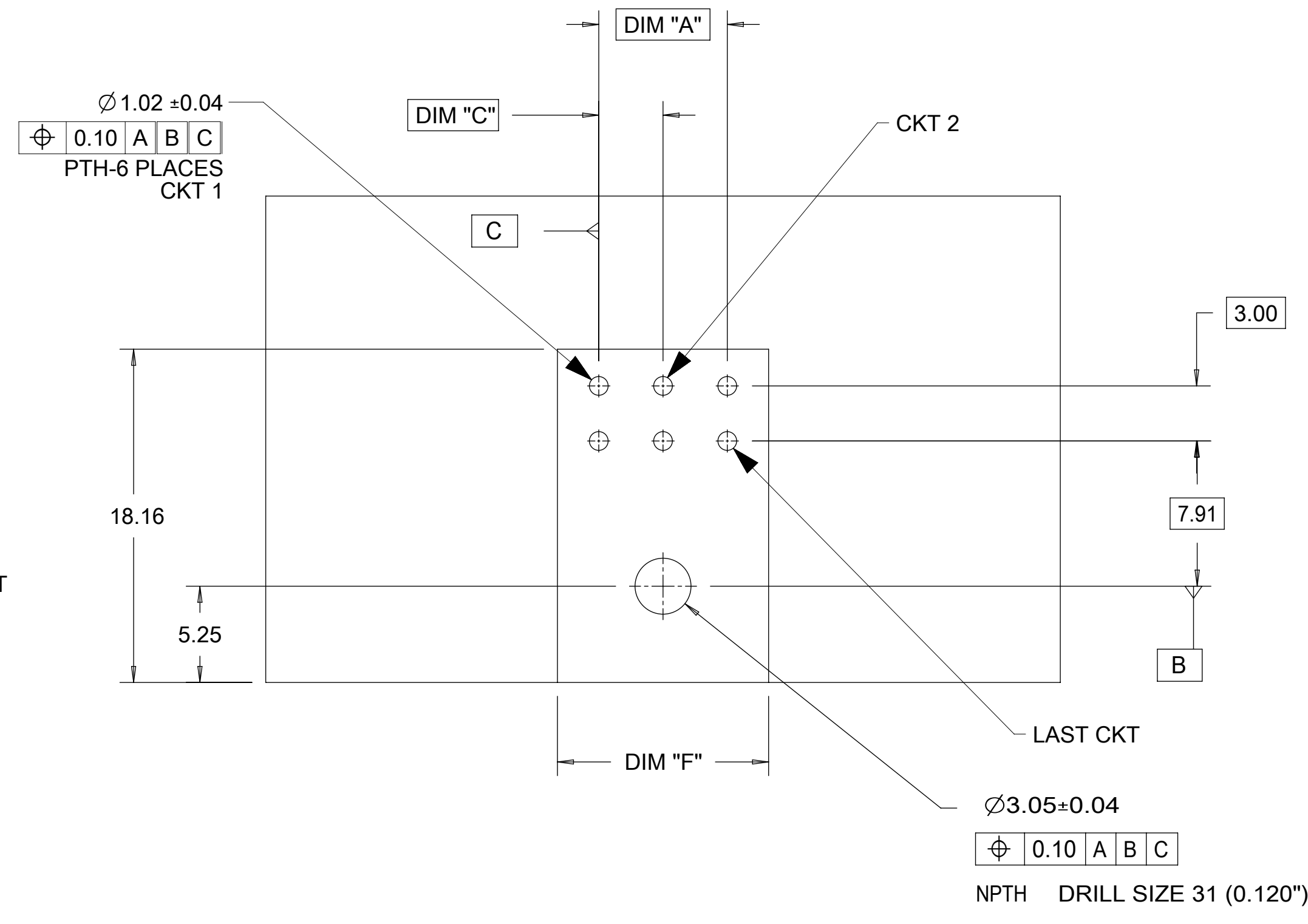
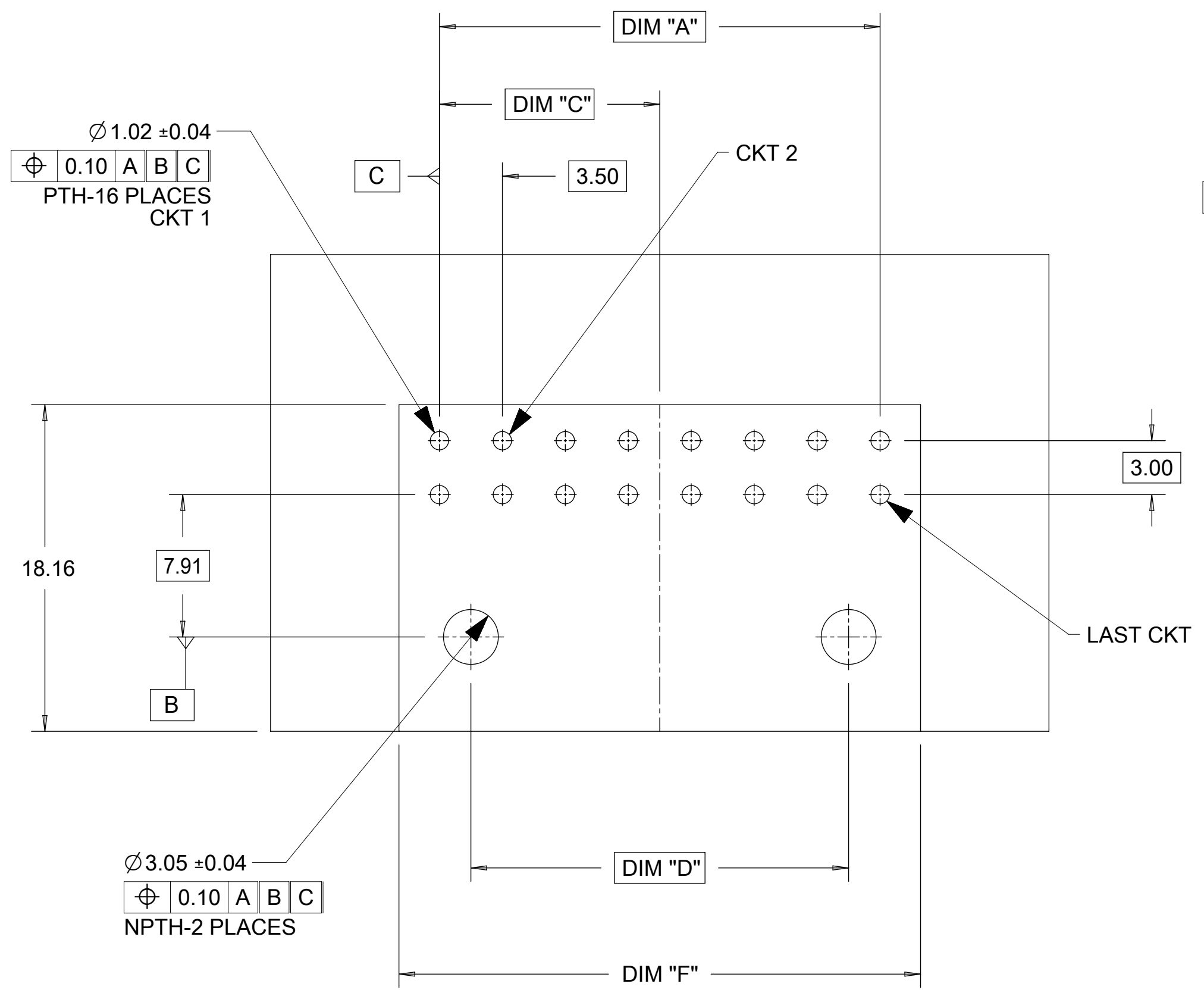
NOTES:

- MATERIAL :  
HOUSING  
OPTION 1: LCP BLACK, UL94 V-0  
OPTION 2: LCP NATURAL, UL94 V-0  
TERMINAL: COPPER ALLOY
- PLATING FINISH:  
OPTION 1 - 1.5µm(60µin)-2.5µm(100µin) TIN OVER  
1.25µm(50µin)-2.5µm(100µin) NICKEL OVERALL  
OPTION 2 - 0.35µm(15µin) GOLD CONTACT AREA,  
1.5µm(60µin)-2.5µm(100µin) TIN TAIL AREA OVER  
1.25µm(50µin)-2.5µm(100µin) NICKEL OVERALL  
OPTION 3 - 0.70µm(30µin) GOLD CONTACT AREA,  
1.5µm(60µin)-2.5µm(100µin) TIN TAIL AREA OVER  
1.25µm(50µin)-2.5µm(100µin) NICKEL OVERALL
- PARTS TO BE PACKAGED PER 1723161114-PK.
- PRODUCT SPECIFICATION PS-172323-0001
- PART MATES WITH MOLEX RECEPTACLE HOUSING  
172258 AND 172262
- PART CONFORMS TO CLASS "C" REQUIREMENTS OF SPECIFICATION  
PS-45499-002 WITH 0.13 MM MAXIMUM FLASH ALLOWED IN CORE  
HOLES AND FRONT SURFACE.
- DISCOLORATION IN THE BANDOLIER AREA OF THE PIN IS  
INHERENT TO THE PLATING PROCESS AND IS DUE TO THE MASKING  
EFFECT OF THE CARRIER. THIS DISCOLORATION IS IN A NON-FUNCTIONAL  
AREA OF THE PIN AND WILL NOT AFFECT THE PERFORMANCE OF THE  
HEADER ASSEMBLY.
- ASSEMBLY SPECIFICATION: AS-172323-0001.



|  |   |  |                   |                 |  |
|--|---|--|-------------------|-----------------|--|
| FUNCTIONAL SYMBOLS<br>FA = 0<br>FC = 0<br>FD = 0     | THIS DRAWING CONTAINS INFORMATION THAT IS PROPRIETARY TO MOLEX ELECTRONIC TECHNOLOGIES, LLC AND SHOULD NOT BE USED WITHOUT WRITTEN PERMISSION |  | CURRENT REV DESC: |                 | <p>ULTRA-FIT R/A HEADER<br/>4-16 CKTS DUAL ROW</p> <p>PRODUCT CUSTOMER DRAWING</p> |
|  | DIMENSION UNITS   | SCALE  | EC NO: 694874     |                 |  |
|  | mm  | 1:1  | DRWN: GLLI        | 2022/02/08      |  |
|  | GENERAL TOLERANCES (UNLESS SPECIFIED)   |  | CHK'D: XQZHANG    | 2022/02/14      |  |
| ANGULAR TOL ± °                                      |   | APPR: XQZHANG  | 2022/02/14        | DOCUMENT NUMBER |  |
| 4 PLACES ±   |   | INITIAL REVISION:                                    | DRWN: DROSCA      |                 | SD-172316-1000   |
| 3 PLACES ±   |   | DRWN: DROSCA   | 2014/03/06        | DOC TYPE        |  |
| 2 PLACES ± 0.25                                      |   | APPR: JCOMERCI                                       | 2014/04/24        | PSD             | 000  |
| 1 PLACE ± 0.5  |   | DRAFT WHERE APPLICABLE MUST REMAIN WITHIN DIMENSIONS |                   | DOC PART        |  |
| 0 PLACES ±   |   | THIRD ANGLE PROJECTION                               | DRAWING           | SERIES          | REVISION   |
| DRAFT WHERE APPLICABLE MUST REMAIN WITHIN DIMENSIONS |   | ⊕  | D-SIZE            | 172316          | F5   |
| MATERIAL NUMBER                                      |   |  | CUSTOMER          | SHEET NUMBER    |  |
| SD-172316-1000                                       |   |  | GENERAL MARKET    | 1 OF 3          |  |

|                 |    |              |            |          |
|-----------------|----|--------------|------------|----------|
| DOCUMENT STATUS | P1 | RELEASE DATE | 2022/02/14 | 02:00:19 |
|-----------------|----|--------------|------------|----------|



OPTION 1: LATCH FLUSH WITH PCB EDGE  
OPTION 2: HOUSING BODY FLUSH WITH PCB EDGE

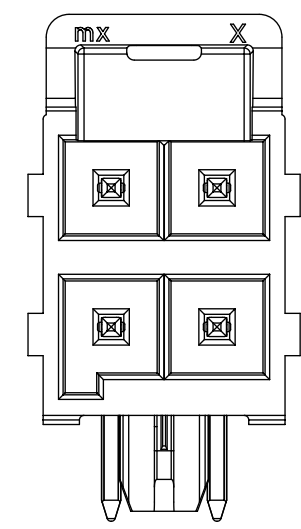
| TIN PLATING |         |              |            |       |       |       |       |
|-------------|---------|--------------|------------|-------|-------|-------|-------|
| PART NO.    | COLOR   | CIRCUIT SIZE | KEY OPTION | DIM A | DIM F | DIM C | DIM D |
| 172316-1104 | BLACK   | 4            | KEY A      | 3.50  | 8.00  | 1.75  | 0.00  |
| 172316-1106 | BLACK   | 6            | KEY A      | 7.00  | 11.50 | 3.50  | 0.00  |
| 172316-1108 | BLACK   | 8            | KEY A      | 10.50 | 15.00 | 5.25  | 7.00  |
| 172316-1110 | BLACK   | 10           | KEY A      | 14.00 | 18.50 | 7.00  | 10.50 |
| 172316-1112 | BLACK   | 12           | KEY A      | 17.50 | 22.00 | 8.75  | 14.00 |
| 172316-1114 | BLACK   | 14           | KEY A      | 21.00 | 25.50 | 10.50 | 17.50 |
| 172316-1116 | BLACK   | 16           | KEY A      | 24.50 | 29.00 | 12.25 | 21.00 |
| 172316-2104 | NATURAL | 4            | KEY B      | 3.50  | 8.00  | 1.75  | 0.00  |
| 172316-2106 | NATURAL | 6            | KEY B      | 7.00  | 11.50 | 3.50  | 0.00  |
| 172316-2108 | NATURAL | 8            | KEY B      | 10.50 | 15.00 | 5.25  | 7.00  |
| 172316-2110 | NATURAL | 10           | KEY B      | 14.00 | 18.50 | 7.00  | 10.50 |
| 172316-2112 | NATURAL | 12           | KEY B      | 17.50 | 22.00 | 8.75  | 14.00 |
| 172316-2114 | NATURAL | 14           | KEY B      | 21.00 | 25.50 | 10.50 | 17.50 |
| 172316-2116 | NATURAL | 16           | KEY B      | 24.50 | 29.00 | 12.25 | 21.00 |

| 15 MICROINCH GOLD PLATING |         |              |            |       |       |       |       |
|---------------------------|---------|--------------|------------|-------|-------|-------|-------|
| PART NO.                  | COLOR   | CIRCUIT SIZE | KEY OPTION | DIM A | DIM F | DIM C | DIM D |
| 172316-1204               | BLACK   | 4            | KEY A      | 3.50  | 8.00  | 1.75  | 0.00  |
| 172316-1206               | BLACK   | 6            | KEY A      | 7.00  | 11.50 | 3.50  | 0.00  |
| 172316-1208               | BLACK   | 8            | KEY A      | 10.50 | 15.00 | 5.25  | 7.00  |
| 172316-1210               | BLACK   | 10           | KEY A      | 14.00 | 18.50 | 7.00  | 10.50 |
| 172316-1212               | BLACK   | 12           | KEY A      | 17.50 | 22.00 | 8.75  | 14.00 |
| 172316-1214               | BLACK   | 14           | KEY A      | 21.00 | 25.50 | 10.50 | 17.50 |
| 172316-1216               | BLACK   | 16           | KEY A      | 24.50 | 29.00 | 12.25 | 21.00 |
| 172316-2204               | NATURAL | 4            | KEY B      | 3.50  | 8.00  | 1.75  | 0.00  |
| 172316-2206               | NATURAL | 6            | KEY B      | 7.00  | 11.50 | 3.50  | 0.00  |
| 172316-2208               | NATURAL | 8            | KEY B      | 10.50 | 15.00 | 5.25  | 7.00  |
| 172316-2210               | NATURAL | 10           | KEY B      | 14.00 | 18.50 | 7.00  | 10.50 |
| 172316-2212               | NATURAL | 12           | KEY B      | 17.50 | 22.00 | 8.75  | 14.00 |
| 172316-2214               | NATURAL | 14           | KEY B      | 21.00 | 25.50 | 10.50 | 17.50 |
| 172316-2216               | NATURAL | 16           | KEY B      | 24.50 | 29.00 | 12.25 | 21.00 |

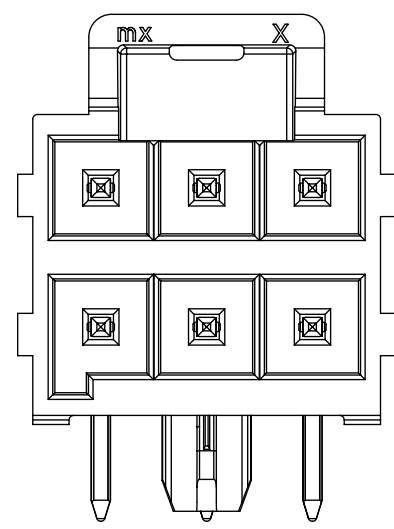
| 30 MICROINCH GOLD PLATING |         |              |            |       |       |       |       |
|---------------------------|---------|--------------|------------|-------|-------|-------|-------|
| PART NO.                  | COLOR   | CIRCUIT SIZE | KEY OPTION | DIM A | DIM F | DIM C | DIM D |
| 172316-1304               | BLACK   | 4            | KEY A      | 3.50  | 8.00  | 1.75  | 0.00  |
| 172316-1306               | BLACK   | 6            | KEY A      | 7.00  | 11.50 | 3.50  | 0.00  |
| 172316-1308               | BLACK   | 8            | KEY A      | 10.50 | 15.00 | 5.25  | 7.00  |
| 172316-1310               | BLACK   | 10           | KEY A      | 14.00 | 18.50 | 7.00  | 10.50 |
| 172316-1312               | BLACK   | 12           | KEY A      | 17.50 | 22.00 | 8.75  | 14.00 |
| 172316-1314               | BLACK   | 14           | KEY A      | 21.00 | 25.50 | 10.50 | 17.50 |
| 172316-1316               | BLACK   | 16           | KEY A      | 24.50 | 29.00 | 12.25 | 21.00 |
| 172316-2304               | NATURAL | 4            | KEY B      | 3.50  | 8.00  | 1.75  | 0.00  |
| 172316-2306               | NATURAL | 6            | KEY B      | 7.00  | 11.50 | 3.50  | 0.00  |
| 172316-2308               | NATURAL | 8            | KEY B      | 10.50 | 15.00 | 5.25  | 7.00  |
| 172316-2310               | NATURAL | 10           | KEY B      | 14.00 | 18.50 | 7.00  | 10.50 |
| 172316-2312               | NATURAL | 12           | KEY B      | 17.50 | 22.00 | 8.75  | 14.00 |
| 172316-2314               | NATURAL | 14           | KEY B      | 21.00 | 25.50 | 10.50 | 17.50 |
| 172316-2316               | NATURAL | 16           | KEY B      | 24.50 | 29.00 | 12.25 | 21.00 |

NOTE: DATUM -A- IS ON COMPONENT SIDE PCB

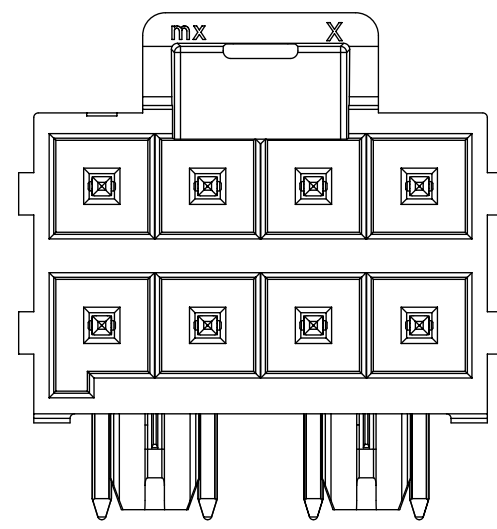
|  |  |   |                        |   |   |   |
|--|--|---|------------------------|---|---|---|
| <b>FUNCTIONAL SYMBOLS</b><br>$F_A = 0$<br>$F_C = 0$<br>$F_P = 0$ | THIS DRAWING CONTAINS INFORMATION THAT IS PROPRIETARY TO MOLEX ELECTRONIC TECHNOLOGIES, LLC AND SHOULD NOT BE USED WITHOUT WRITTEN PERMISSION<br>DIMENSION UNITS: <b>mm</b><br>SCALE: <b>1:1</b> | CURRENT REV DESC:<br><br>EC NO: 694874<br>DRWN: GLLI 2022/02/08<br>CHK'D: XQZHANG 2022/02/14<br>APPR: XQZHANG 2022/02/14<br>INITIAL REVISION:<br>DRWN: DROSCA 2014/03/06<br>APPR: JCOMERCI 2014/04/24 |                        |   |   |   |
|  | GENERAL TOLERANCES (UNLESS SPECIFIED)<br>ANGULAR TOL: $\pm$ °<br>4 PLACES: $\pm$<br>3 PLACES: $\pm$<br>2 PLACES: $\pm$ 0.25<br>1 PLACE: $\pm$ 0.5<br>0 PLACES: $\pm$                             |   |                        |   |   | ULTRA-FIT R/A HEADER<br>4-16 CKTS DUAL ROW                          |
|  | <b>DIVISIONAL SYMBOLS</b><br>DRAFT WHERE APPLICABLE MUST REMAIN WITHIN DIMENSIONS  |   | THIRD ANGLE PROJECTION | DRAWING: <b>D-SIZE</b><br>SERIES: <b>172316</b> | MATERIAL NUMBER: <b>SD-172316-1000</b><br>CUSTOMER: <b>GENERAL MARKET</b> | DOC TYPE: <b>PSD</b><br>DOC PART: <b>000</b><br>REVISION: <b>F5</b> |
|  | SHEET NUMBER: <b>2 OF 3</b>  |   |                        |   |   |   |



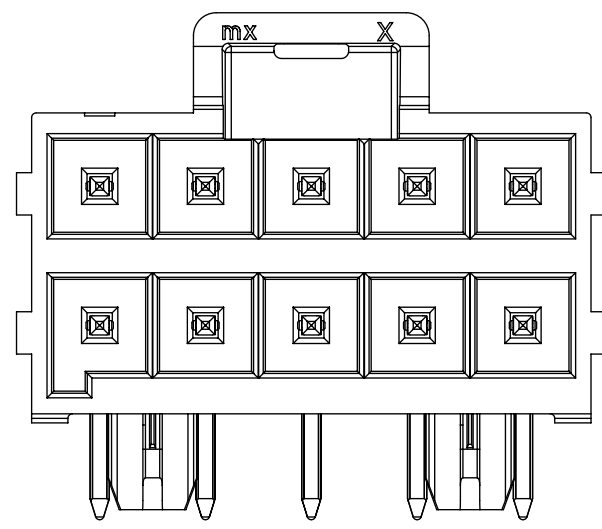
4 CKT



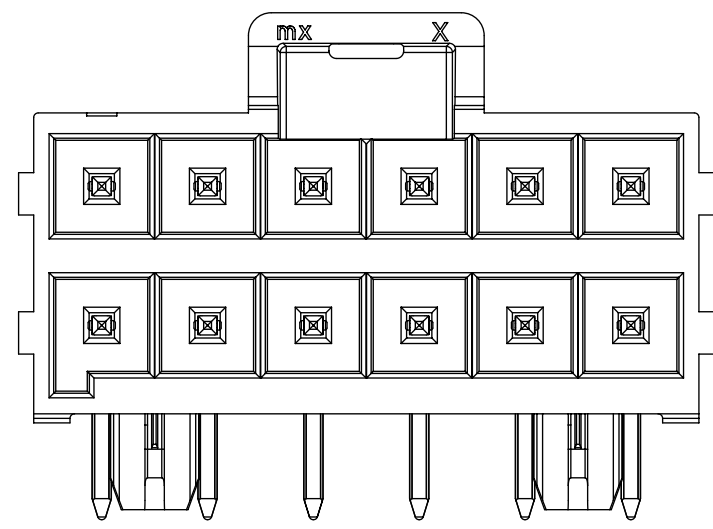
6 CKT



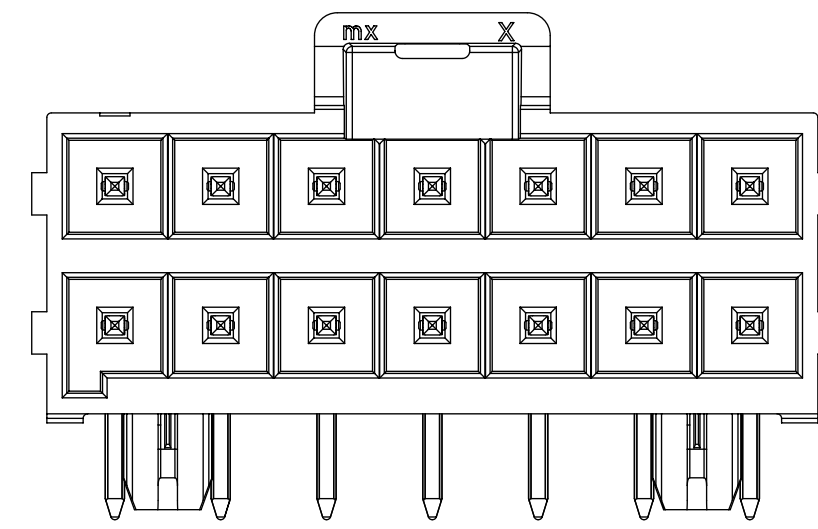
8 CKT



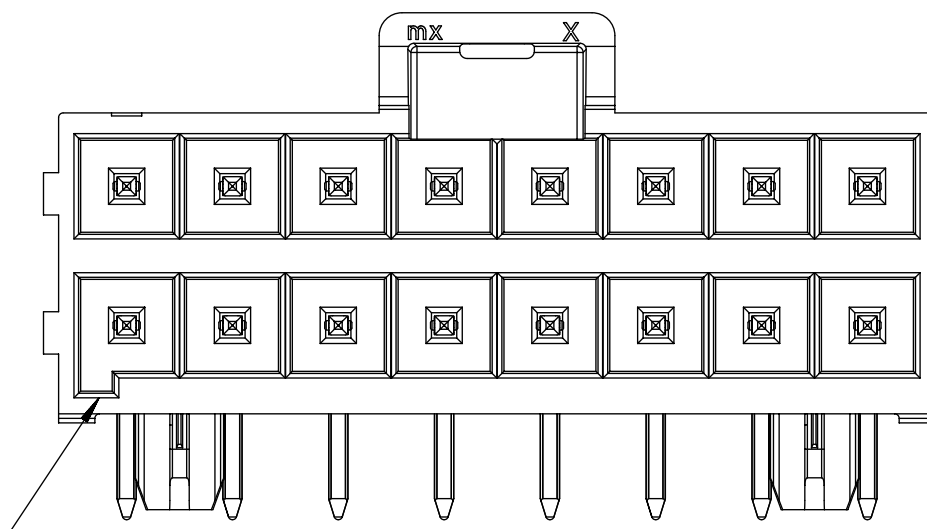
10 CKT



12 CKT

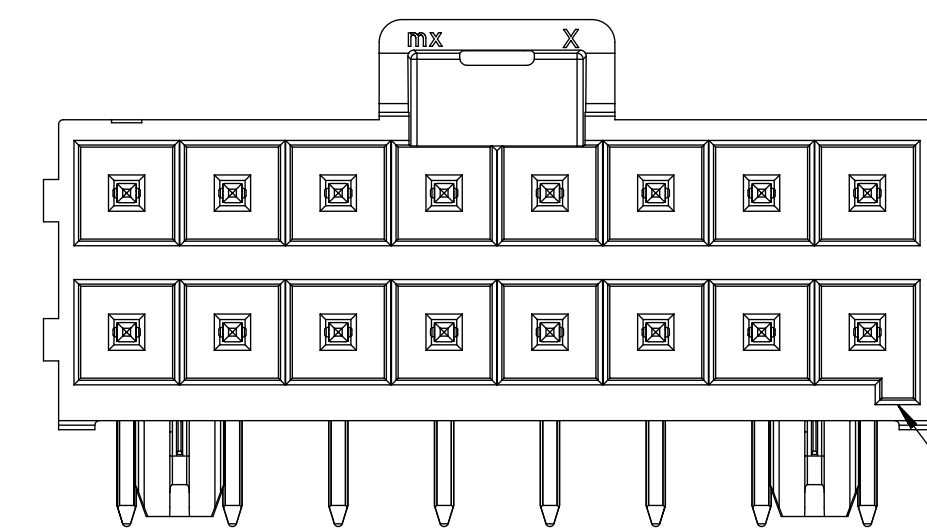


14 CKT



16 CKT

KEY A  
(BLACK)



KEY B  
(NATURAL)

|   |   |                     |   |  |  |                            |                               |   |
|---|---|---------------------|---|--|--|----------------------------|-------------------------------|---|
| <b>FUNCTIONAL SYMBOLS</b><br>$\nabla_A = 0$<br>$\nabla_C = 0$<br>$\nabla_D = 0$ | THIS DRAWING CONTAINS INFORMATION THAT IS PROPRIETARY TO MOLEX ELECTRONIC TECHNOLOGIES, LLC AND SHOULD NOT BE USED WITHOUT WRITTEN PERMISSION |                     | <b>CURRENT REV DESC:</b><br><br>EC NO: 694874<br>DRWN: GLLI 2022/02/08<br>CHK'D: XQZHANG 2022/02/14<br>APPR: XQZHANG 2022/02/14 |  |  |                            |                               |   |
|   | <b>DIMENSION UNITS</b><br>mm  | <b>SCALE</b><br>1:1 |   |  |  |                            |                               | <b>GENERAL TOLERANCES (UNLESS SPECIFIED)</b><br>ANGULAR TOL $\pm$ ° |
| <b>DIVISIONAL SYMBOLS</b>   | 4 PLACES  | $\pm$               | INITIAL REVISION:<br>DRWN: DROSCA 2014/03/06<br>APPR: JCOMERCI 2014/04/24   |  | DOCUMENT NUMBER<br><b>SD-172316-1000</b> | DOC TYPE<br>PSD            | DOC PART<br>000               | REVISION<br><b>F5</b>   |
|   | 3 PLACES  | $\pm$               | DRAFT WHERE APPLICABLE<br>MUST REMAIN WITHIN DIMENSIONS   |  | MATERIAL NUMBER<br><b>D-SIZE 172316</b>  | CUSTOMER<br>GENERAL MARKET | SHEET NUMBER<br><b>3 OF 3</b> |   |
|   | 2 PLACES  | $\pm 0.25$          | THIRD ANGLE PROJECTION<br>  |  |  |                            |                               |   |
|   | 1 PLACE   | $\pm 0.5$           |   |  |  |                            |                               |   |