

USE LOGO!
EXAMPLE FOR CABLE PRINTING:
 Molex Connectivity GmbH [15mm] Material-No. from table 1 [8mm] Prod.Date [8mm] Cable length

DESCRIPTION:
 M12 HYBRID CORDSET APPLICATIONS
 TRANSMISSION AFTER CAT5e (SIGNAL CONTACTS ONLY)
 SPECIAL CODING

ELECTRICAL DATA:
 SIGNAL: 4 POLES
 MAX. VOLTAGE: 30V
 MAX. CURRENT: 1.5A at 55°C
 CONTACT RESISTANCE: <5 mOhm
 INSULATION WITHSTAND: >100 MOhm
 IMPEDANCE: 100 Ohm
 HF PERFORMANCE TESTINGS: LIMITS CLASS D/CAT5e,
 ACCORDING ISO IEC 11801/TIA-568-C.2 "PERMANENT LINK"

POWER:
 MAX. VOLTAGE: 30V
 MAX. CURRENT: 6A at 55°C
 CONTACT RESISTANCE: <5 mOhm
 INSULATION WITHSTAND: >100 MOhm

ENVIROMENTAL:
 PROTECTION: IP67
 TEMPERATURE RANGE: -25°C to 75°C

PACKAGING:
 THE CORDSET IS PACKED AND SHIPPED OUT IN A CARDBOARD BOX

- 1 - POWER 0V
- 2 - POWER 0V Last
- 3 - POWER 24V Last
- 4 - POWER 24V
- 5 - SIGNAL TX+
- 6 - SIGNAL RX-
- 7 - SIGNAL TX-
- 8 - SIGNAL RX+
- SHIELDING / GND

CUSTOMER PRODUCT APPROVAL

APPROVED BY: _____

DATE: _____

MUST BE SIGNED AND RETURNED BEFORE PRODUCTION WILL BEGIN

WIRING DIAGRAM, CONNECTION: INLINE

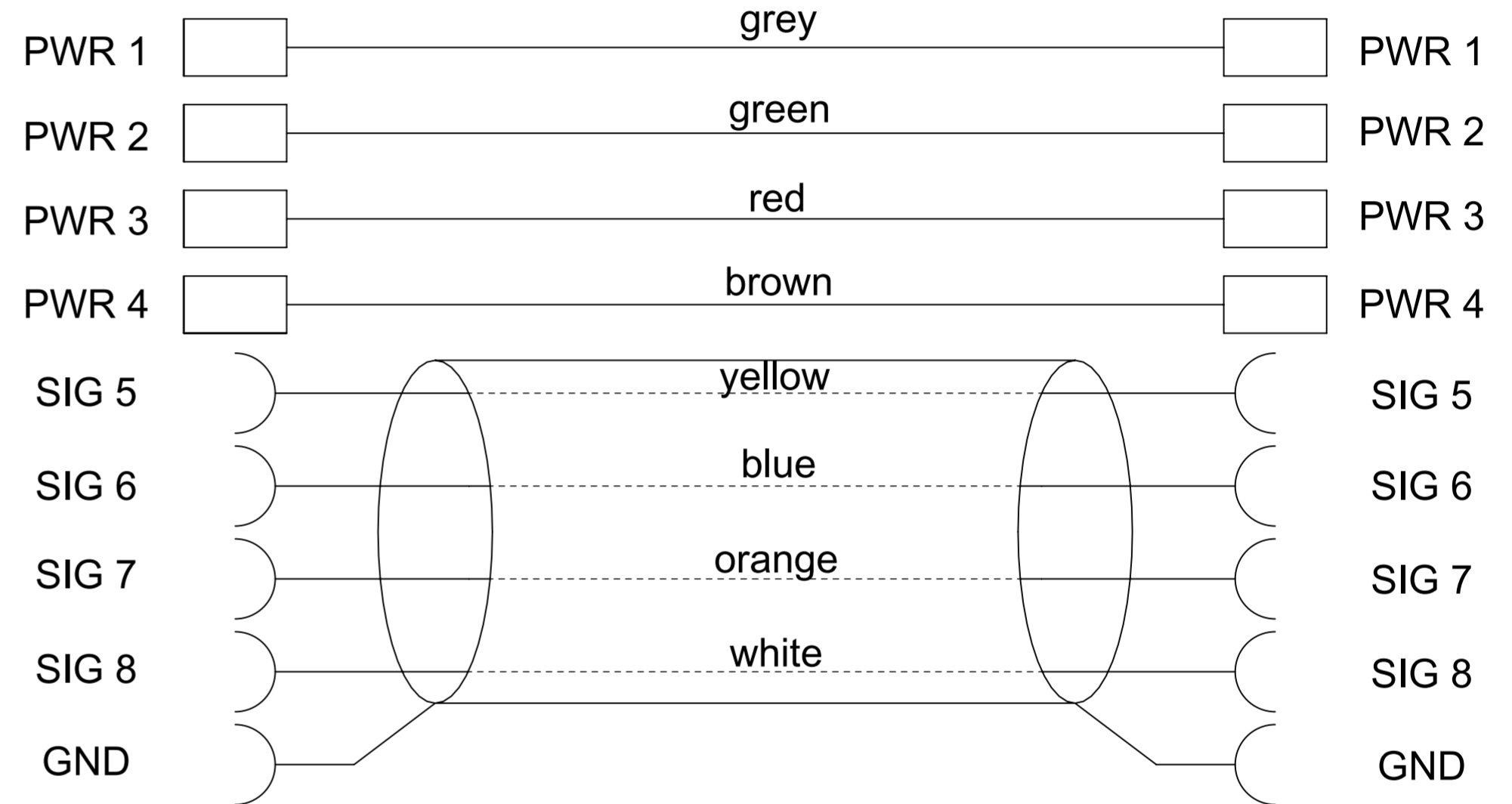
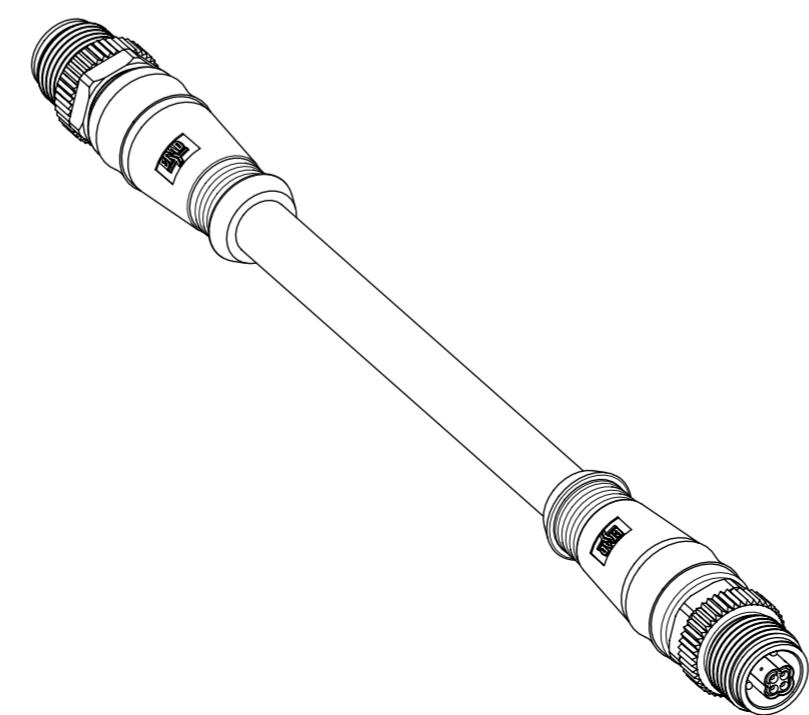


TABLE 1

| MOLEX P/N | Description | Length / mm | Tolerance |
|------------|---|-------------|-----------|
| 1202440200 | CSE M12 CHT 8P 4+4P MAFE STR PUR 0,25M DE | 250 | ±10 |
| 1202440201 | CSE M12 CHT 8P 4+4P MAFE STR PUR 0,5M DE | 500 | ±10 |
| 1202440202 | CSE M12 CHT 8P 4+4P MAFE STR PUR 1M DE | 1000 | +30/-10 |
| 1202440203 | CSE M12 CHT 8P 4+4P MAFE STR PUR 1,5M DE | 1500 | ±25 |
| 1202440204 | CSE M12 CHT 8P 4+4P MAFE STR PUR 2M DE | 2000 | ±25 |
| 1202440205 | CSE M12 CHT 8P 4+4P MAFE STR PUR 5M DE | 5000 | ±25 |
| 1202440206 | CSE M12 CHT 8P 4+4P MAFE STR PUR 8M DE | 8000 | ±30 |
| 1202440207 | CSE M12 CHT 8P 4+4P MAFE STR PUR 10M DE | 10000 | ±30 |
| 1202440208 | CSE M12 CHT 8P 4+4P MAFE STR PUR 15M DE | 15000 | ±30 |

BOM

| Quantity | Descriptions |
|----------|--|
| 2 | INSERT M12 MA 8P 0C CSE PUR BK SHLD |
| 2 | INSERT M12 FE 4P 0C CSE NIL BK SHLD |
| 8 | CONTACT 6 FE TUR NI CR WRA 0.14-0.25 |
| 8 | CONTACT M12 MA NI2AU0.8 F075 |
| 2 | SHELL M12 FE BRASS NI REC M12 |
| 2 | SHELL M12 FE BRASS NI REC M12 |
| 2 | SHELL M12 MF PP L6,5 CORDSET M12 |
| 2 | NUT M12 BRASS NI MA HEX |
| 1 | CABLE 4AWG19+2X2XAWG26 PUR GY D8 UL SH DYN |
| 2 | Overmolding UL M12 straight-9.2mm |
| 2 | Copper tape tinned 10x20mm / PAGE 3 / DETAIL R |



| | | | | | |
|---|---|---|---|--------------------------------------|--|
| FUNCTIONAL SYMBOLS FA=0 FC=1 FP=0 | THIS DRAWING CONTAINS INFORMATION THAT IS PROPRIETARY TO MOLEX ELECTRONIC TECHNOLOGIES, LLC AND SHOULD NOT BE USED WITHOUT WRITTEN PERMISSION | | CURRENT REV DESC: UPDATED NOTES | | |
| | DIMENSION UNITS mm | SCALE 1:1 | CSE M12 CHT 8P 4+4P MAFE STR PUR XM DE PRODUCT CUSTOMER DRAWING | | |
| | GENERAL TOLERANCES (UNLESS SPECIFIED) | | | | |
| | ANGULAR TOL ± ° | | | | |
| 4 PLACES ± | | | | | |
| DIVISIONAL SYMBOLS | 3 PLACES ± | EC NO: 736317 | 2023/01/26 | DOCUMENT NUMBER 1202440200 | |
| | 2 PLACES ± 0.05 | DRWN: ARPITT | 2023/01/26 | | |
| | 1 PLACE ± 0.1 | CHK'D: RSILLER | 2023/01/26 | | |
| | 0 PLACES ± | APPR: RSILLER | 2023/01/26 | | |
| INITIAL REVISION: DRWN: RSCHIEBER 2020/07/15 APPR: RSILLER 2020/08/24 | | DOCUMENT TYPE DOC PART REVISION PSD 000 A2 | | SHEET NUMBER 1 OF 1 | |
| DRAFT WHERE APPLICABLE MUST REMAIN WITHIN DIMENSIONS | THIRD ANGLE PROJECTION | DRAWING A2-SIZE | SERIES 120244 | | |
| MATERIAL NUMBER SEE TABLE 1 | | CUSTOMER GENERAL MARKET | | | |