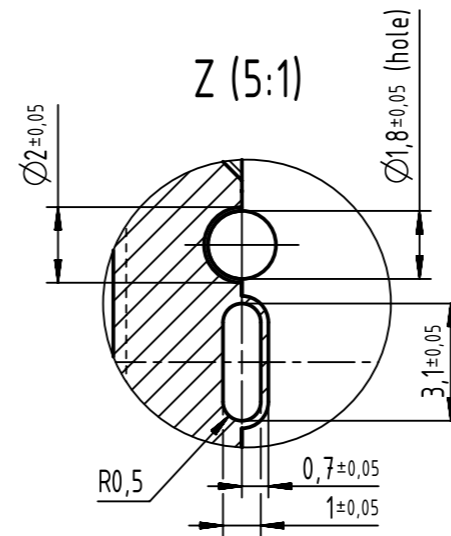
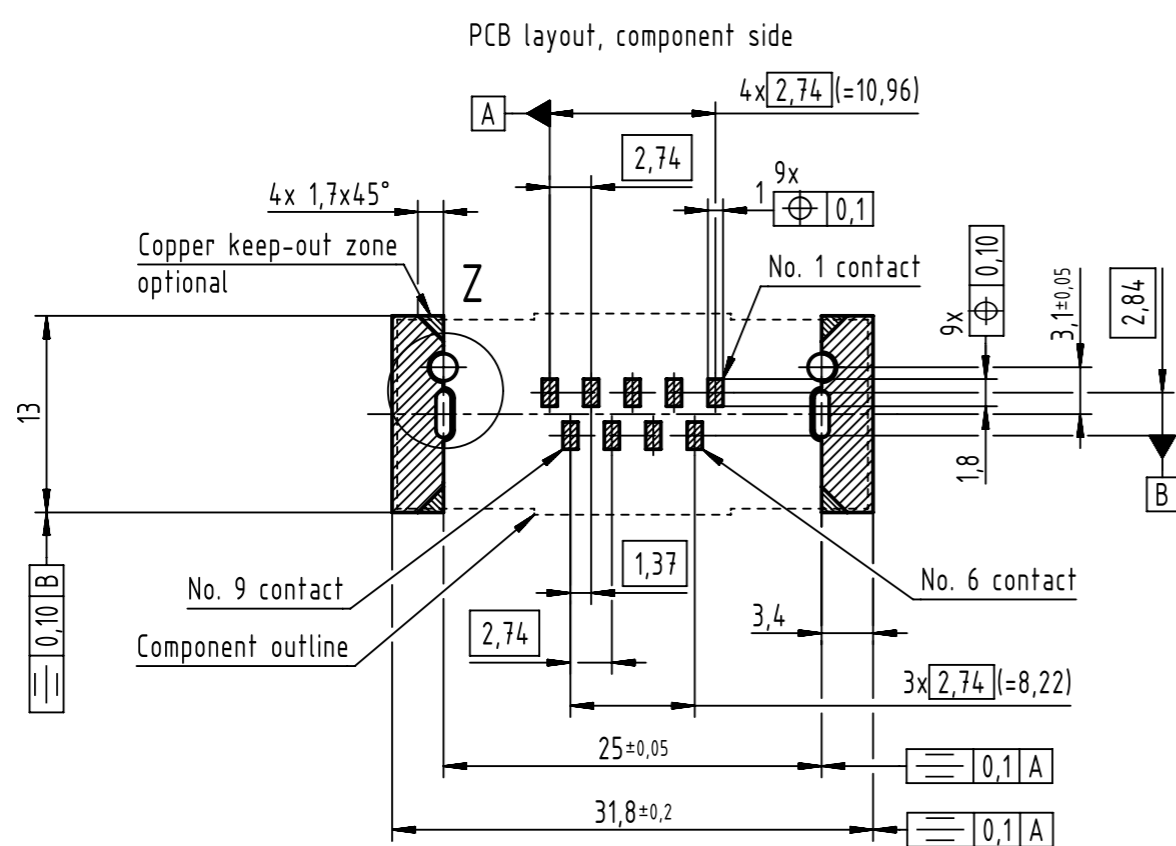


PCB layout, component side



Max. Temperature: 260°C during 10 seconds.
Find further technical information on DS 09550200302.

0955 155 6612 333	2	4-40 UNC	Black insulator	Samples
0955 155 3612 741	1			Reel packaging (140 connectors)
0955 155 6612 741	2			
0955 155 7612 741	3	M3	Index designation	
0955 155 3611 741	1			
0955 155 6611 741	2			
0955 155 7611 741	3			
Part number	PL	Nut		

All rights reserved Department EL PD HARTING Electronics GmbH D-32339 Espelkamp	All Dimensions in mm Original Size DIN A3	Scale 2:1	Free size tol.	Ref. Sub.
	Created by ZHUANGJ	Inspected by LUOK	Standardisation HOFFMANN	Date 2018-11-29
Title D-Sub str SMT 9-pole fem ass with screw nut & pin		State Final Release		Doc-Key / ECM-Nr. 100236647/UGD/001/C 500000139800
Type TB	Number 0955155X61X	Rev. C	Page 1/1	