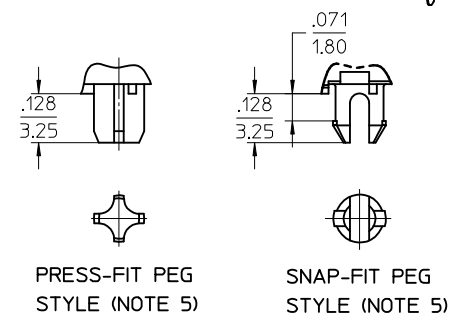


ISOMETRIC VIEW  
(NOT TO SCALE)

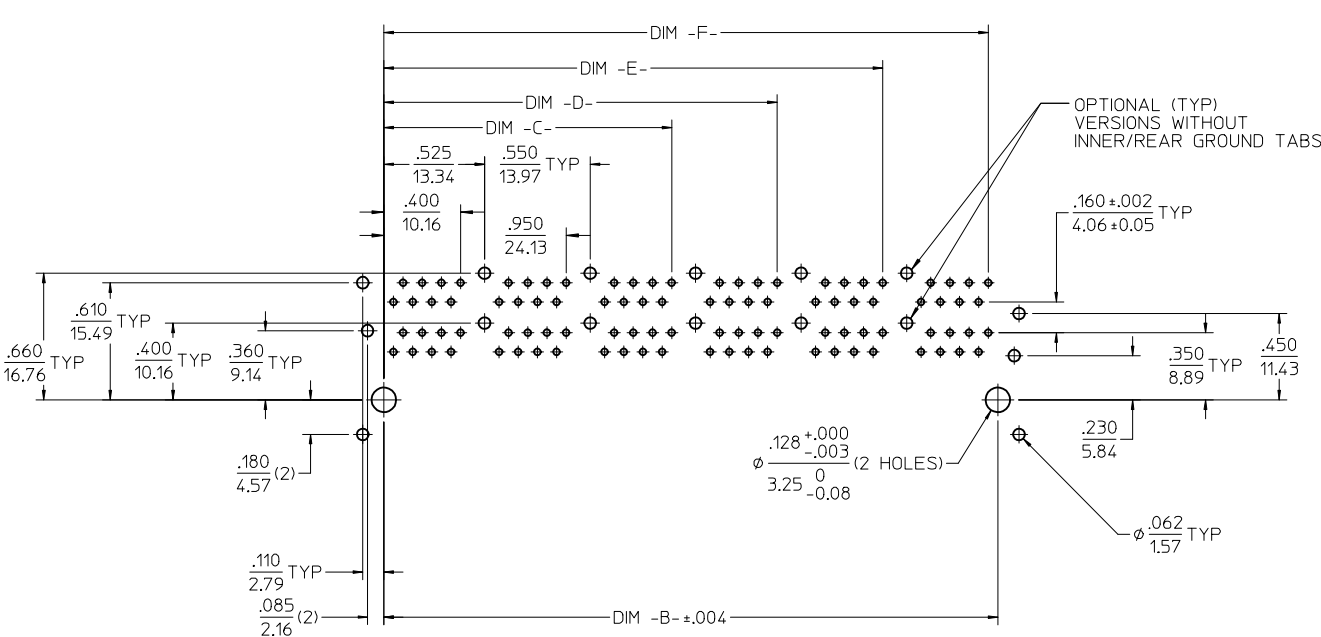


- NOTES:
- MATERIAL:  
HOUSING: POLYESTERIPBT, GLASS FILLED, UL94V-0, COLOR: BLACK  
TERMINALS: PHOSPHOR BRONZE  
SHIELD: BRASS
  - FINISH:  
TERMINALS:  
SELECT GOLD IN CONTACT AREA: 50 MICROINCHES MIN.,  
SELECT TIN IN PC TAIL AREA: 100 MICROINCHES MIN.,  
WITH OVERALL NICKEL UNDERPLATE: 50 MICROINCHES MIN.  
SHIELD:  
100 MICROINCHES NICKEL OVER 50 MICROINCHES COPPER UNDERPLATE  
PCB GROUND TABS DIPPED IN TIN
  - PRODUCT SPECIFICATION: PS-44050-003.
  - PACKAGING SPECIFICATION: CONNECTOR PACKAGED IN THERMOFORMED TRAYS PER PK-44520-003.
  - CONNECTORS AVAILABLE WITH EITHER SNAP-FIT OR PRESS-FIT PEGS.
  - CONFORMS TO FCC REGULATION PART 68.5 FOR MODULAR JACKS.
  - PCB LAYOUT AND PANEL CUT-OUT SHOWN ON SHEET (2) OF (2).
  - AVAILABLE WITH THE (8) PANEL GROUND TABS REMOVED ON EACH SIDE FOR SIDE TO SIDE STACKABILITY.
  - TERMINAL LENGTHS MAY BE DIFFERENT FROM TERMINAL TO TERMINAL.
  - THIS PART CONFORMS TO CLASS B REQUIREMENTS OF COSMETIC SPECIFICATION PS-45499-002 WITH THE EXCEPTION OF THE INDICATED SURFACE WHICH IS A CLASS C SURFACE.

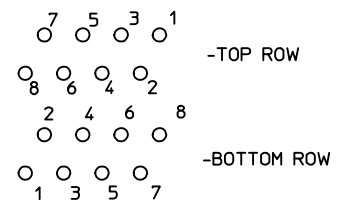
ASSEMBLY MATERIAL NUMBER	NUMBER OF PORTS	PEG STYLE	DIM -A-	DIM -B-	SIDE PANEL GROUND TABS	INNER/REAR GROUND TABS
44520-0001	8 (2 X 4)	SNAP-FIT	2.330/59.18	2.100/53.34	YES	YES
X 44520-2001	8 (2 X 4)	SNAP-FIT	2.330/59.18	2.100/53.34	NO	YES
X 44520-3001	8 (2 X 4)	SNAP-FIT	2.330/59.18	2.100/53.34	YES	NO
X 44520-4001	8 (2 X 4)	SNAP-FIT	2.330/59.18	2.100/53.34	NO	NO
44520-0004	8 (2 X 4)	PRESS-FIT	2.330/59.18	2.100/53.34	YES	YES
X 44520-2004	8 (2 X 4)	PRESS-FIT	2.330/59.18	2.100/53.34	NO	YES
X 44520-3004	8 (2 X 4)	PRESS-FIT	2.330/59.18	2.100/53.34	YES	NO
X 44520-4004	8 (2 X 4)	PRESS-FIT	2.330/59.18	2.100/53.34	NO	NO
44520-0002	12 (2 X 6)	SNAP-FIT	3.430/87.12	3.200/81.28	YES	YES
X 44520-2002	12 (2 X 6)	SNAP-FIT	3.430/87.12	3.200/81.28	NO	YES
X 44520-3002	12 (2 X 6)	SNAP-FIT	3.430/87.12	3.200/81.28	YES	NO
X 44520-4002	12 (2 X 6)	SNAP-FIT	3.430/87.12	3.200/81.28	NO	NO
44520-0005	12 (2 X 6)	PRESS-FIT	3.430/87.12	3.200/81.28	YES	YES
X 44520-2005	12 (2 X 6)	PRESS-FIT	3.430/87.12	3.200/81.28	NO	YES
X 44520-3005	12 (2 X 6)	PRESS-FIT	3.430/87.12	3.200/81.28	YES	NO
X 44520-4005	12 (2 X 6)	PRESS-FIT	3.430/87.12	3.200/81.28	NO	NO

X = NOT TOOLED

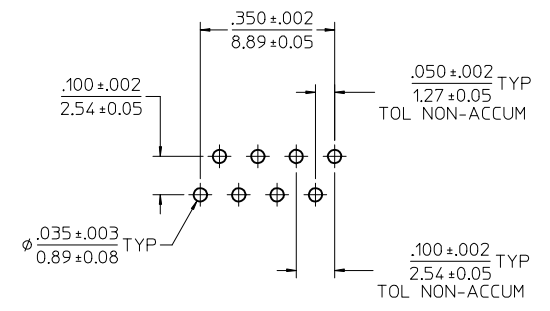
<b>OBsolete PN</b> EC NO: UCP2017-0798 DRWING: FENG02 2016/10/12 CHKD: APPR: KLANG 2016/10/17 DZ	QUALITY SYMBOLS 	GENERAL TOLERANCES (UNLESS SPECIFIED)		DIMENSION STYLE <b>IN/MM</b>		SCALE <b>2:1</b>	DESIGN UNITS <b>INCH</b>	THIRD ANGLE PROJECTION	
		4 PLACES ± --- ± --- 3 PLACES ± --- ± .010 2 PLACES ± 0.25 ± --- 1 PLACE ± --- ± --- 0 PLACE ± ±		DRAWN BY MARGULIS 99/04/16 CHECKED BY ROBERTS 99/04/18 APPROVED BY ROBERTS 99/04/18		TITLE <b>STACKED MODULAR JACK CATEGORY 5</b>			
		ANGULAR ±1/2° DRAFT WHERE APPLICABLE MUST REMAIN WITHIN DIMENSIONS		MATERIAL NO. <b>SEE CHART</b>		DOCUMENT NO. <b>SD-44520-001</b>		SHEET NO. <b>1 OF 2</b>	
		THIS DRAWING CONTAINS INFORMATION THAT IS PROPRIETARY TO MOLEX INCORPORATED AND SHOULD NOT BE USED WITHOUT WRITTEN PERMISSION							



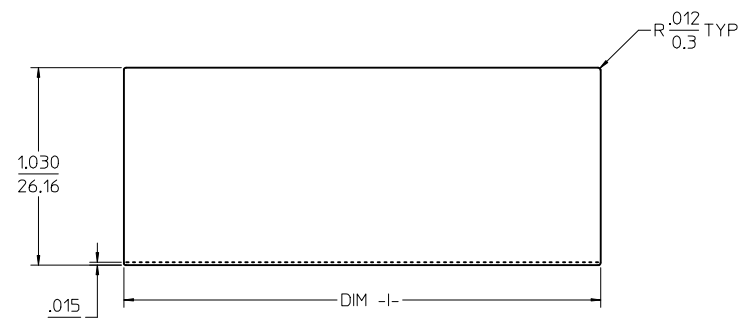
PC BOARD LAYOUT: COMPONENT SIDE  
 RECOMMENDED PCB THICKNESS: .062/1.57  
 (12 PORT VERSION SHOWN)  
 ALL DIMENSION TOLERANCES ARE ±.003/±.08  
 UNLESS SPECIFIED OTHERWISE



MOLEX TRADITIONAL  
 PIN LAYOUT (TYP)



TYP HOLE LAYOUT  
 (EACH PORT)



FROM TOP OF PCB  
 TO BOTTOM OF OPENING

RECOMMENDED PANEL  
 CUTOUT

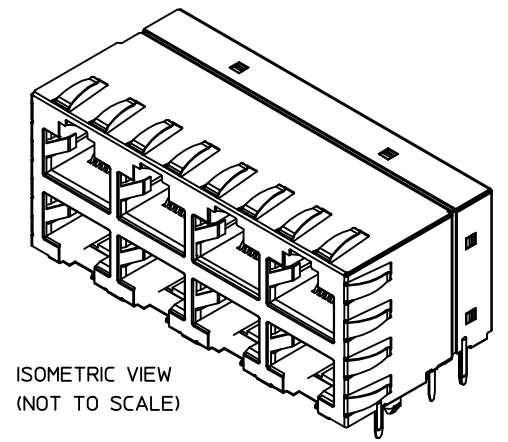
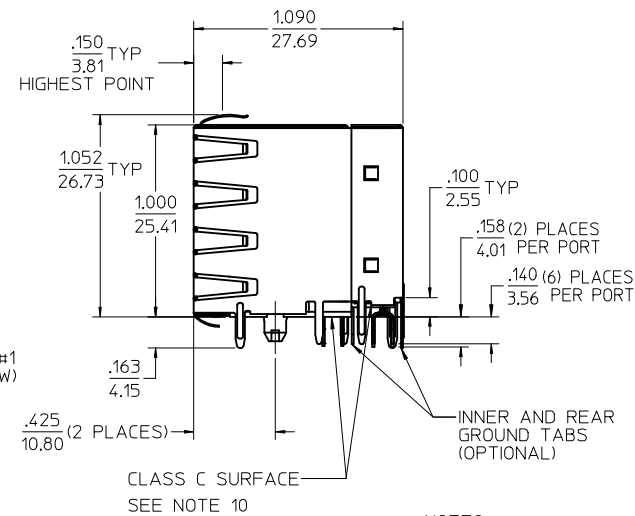
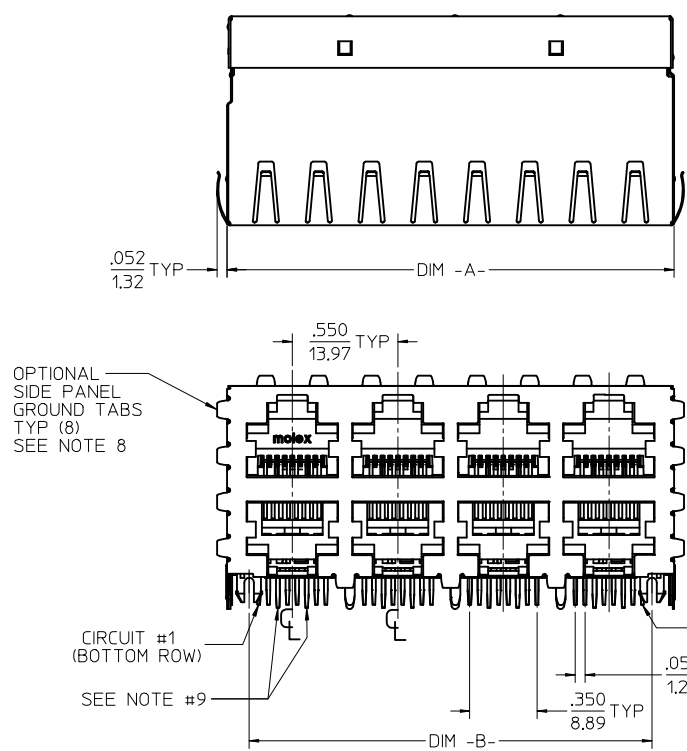
NUMBER OF PORTS	DIM -B-	DIM -C-	DIM -D-	DIM -E-	DIM -F-	DIM -I-
8 (2 X 4)	2,100/53.34	1,500/38.10	2,050/52.07			2,360/59.94
12 (2 X 6)	3,200/81.28	1,500/38.10	2,050/52.07	2,600/66.04	3,150/80.01	3,460/87.88

SEE SHEET 1	QUALITY SYMBOLS
EC NO: UCP2017-0798	▽=0
DRW:WAFENG02 2016/10/12	▽=0
CHKD: APPR:KLANG	▽=0
REV	

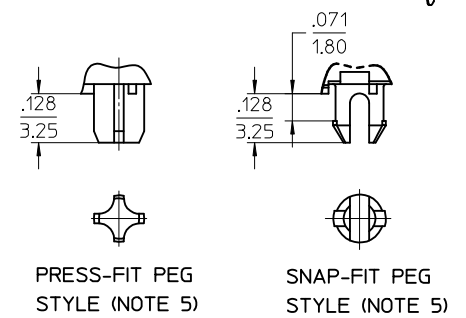
GENERAL TOLERANCES (UNLESS SPECIFIED)	
4 PLACES ±	± .010
3 PLACES ±	± .025
2 PLACES ±	± .050
1 PLACE ±	± .100
0 PLACE ±	± .150
ANGULAR ±1/2°	
DRAFT WHERE APPLICABLE MUST REMAIN WITHIN DIMENSIONS	

DIMENSION STYLE	
IN/MM	
DRAWN BY	DATE
MARGULIS	99/04/16
CHECKED BY	DATE
ROBERTS	99/04/18
APPROVED BY	DATE
ROBERTS	99/04/18
MATERIAL NO.	
SEE CHART	
SIZE C	

SCALE	DESIGN UNITS	THIRD ANGLE PROJECTION
2:1	INCH	
STACKED MODULAR JACK CATEGORY 5		
<b>molex</b>		
DOCUMENT NO.		SHEET NO.
SD-44520-001		2 OF 2
THIS DRAWING CONTAINS INFORMATION THAT IS PROPRIETARY TO MOLEX INCORPORATED AND SHOULD NOT BE USED WITHOUT WRITTEN PERMISSION		



ISOMETRIC VIEW  
(NOT TO SCALE)



PRESS-FIT PEG  
STYLE (NOTE 5)

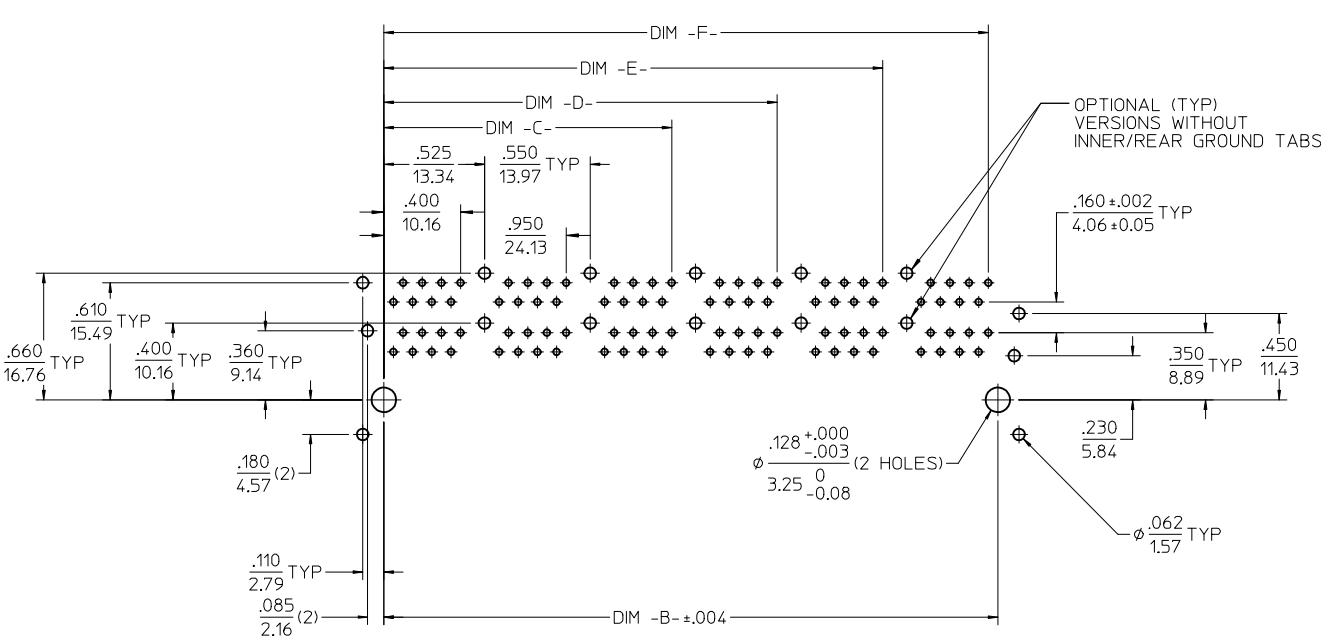
SNAP-FIT PEG  
STYLE (NOTE 5)

- NOTES:
- MATERIAL:  
HOUSING: POLYESTERIPBT, GLASS FILLED, UL94V-0, COLOR: BLACK  
TERMINALS: PHOSPHOR BRONZE  
SHIELD: BRASS
  - FINISH:  
TERMINALS:  
SELECT GOLD IN CONTACT AREA: 50 MICROINCHES MIN.,  
SELECT TIN IN PC TAIL AREA: 100 MICROINCHES MIN.,  
WITH OVERALL NICKEL UNDERPLATE: 50 MICROINCHES MIN.  
SHIELD:  
100 MICROINCHES NICKEL OVER 50 MICROINCHES COPPER UNDERPLATE  
PCB GROUND TABS DIPPED IN TIN
  - PRODUCT SPECIFICATION: PS-44050-003.
  - PACKAGING SPECIFICATION: CONNECTOR PACKAGED IN THERMOFORMED TRAYS PER PK-44520-003.
  - CONNECTORS AVAILABLE WITH EITHER SNAP-FIT OR PRESS-FIT PEGS.
  - CONFORMS TO FCC REGULATION PART 68.5 FOR MODULAR JACKS.
  - PCB LAYOUT AND PANEL CUT-OUT SHOWN ON SHEET (2) OF (2).
  - AVAILABLE WITH THE (8) PANEL GROUND TABS REMOVED ON EACH SIDE FOR SIDE TO SIDE STACKABILITY.
  - TERMINAL LENGTHS MAY BE DIFFERENT FROM TERMINAL TO TERMINAL.
  - THIS PART CONFORMS TO CLASS B REQUIREMENTS OF COSMETIC SPECIFICATION PS-45499-002 WITH THE EXCEPTION OF THE INDICATED SURFACE WHICH IS A CLASS C SURFACE.

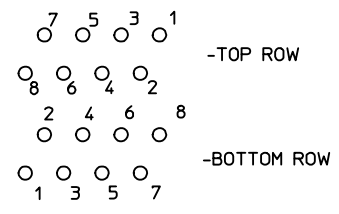
ASSEMBLY MATERIAL NUMBER	NUMBER OF PORTS	PEG STYLE	DIM -A-	DIM -B-	SIDE PANEL GROUND TABS	INNER/REAR GROUND TABS
44520-0001	8 (2 X 4)	SNAP-FIT	2.330/59.18	2.100/53.34	YES	YES
X 44520-2001	8 (2 X 4)	SNAP-FIT	2.330/59.18	2.100/53.34	NO	YES
X 44520-3001	8 (2 X 4)	SNAP-FIT	2.330/59.18	2.100/53.34	YES	NO
X 44520-4001	8 (2 X 4)	SNAP-FIT	2.330/59.18	2.100/53.34	NO	NO
44520-0004	8 (2 X 4)	PRESS-FIT	2.330/59.18	2.100/53.34	YES	YES
X 44520-2004	8 (2 X 4)	PRESS-FIT	2.330/59.18	2.100/53.34	NO	YES
X 44520-3004	8 (2 X 4)	PRESS-FIT	2.330/59.18	2.100/53.34	YES	NO
X 44520-4004	8 (2 X 4)	PRESS-FIT	2.330/59.18	2.100/53.34	NO	NO
44520-0002	12 (2 X 6)	SNAP-FIT	3.430/87.12	3.200/81.28	YES	YES
X 44520-2002	12 (2 X 6)	SNAP-FIT	3.430/87.12	3.200/81.28	NO	YES
X 44520-3002	12 (2 X 6)	SNAP-FIT	3.430/87.12	3.200/81.28	YES	NO
X 44520-4002	12 (2 X 6)	SNAP-FIT	3.430/87.12	3.200/81.28	NO	NO
44520-0005	12 (2 X 6)	PRESS-FIT	3.430/87.12	3.200/81.28	YES	YES
X 44520-2005	12 (2 X 6)	PRESS-FIT	3.430/87.12	3.200/81.28	NO	YES
X 44520-3005	12 (2 X 6)	PRESS-FIT	3.430/87.12	3.200/81.28	YES	NO
X 44520-4005	12 (2 X 6)	PRESS-FIT	3.430/87.12	3.200/81.28	NO	NO

X = NOT TOOLED

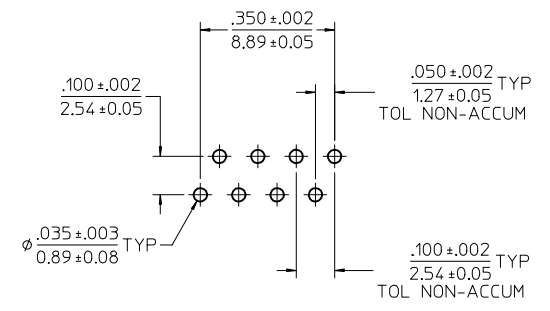
<b>OBSOLETE PN</b> EC NO: UCP2017-0798 DRW:AFENG02 2016/10/12 CHKD: APPR:KLANG 2016/10/17 REV:	QUALITY SYMBOLS	GENERAL TOLERANCES (UNLESS SPECIFIED)	DIMENSION STYLE <b>IN/MM</b>	SCALE <b>2:1</b>	DESIGN UNITS <b>INCH</b>	THIRD ANGLE PROJECTION
	▽=0	4 PLACES ± --- ± ---	DRAWN BY MARGULIS	DATE 99/04/16	<b>STACKED MODULAR JACK CATEGORY 5</b>	
	▽=0	3 PLACES ± --- ± .010	CHECKED BY ROBERTS	DATE 99/04/18		
	▽=0	2 PLACES ± 0.25 ± ---	APPROVED BY ROBERTS	DATE 99/04/18	<b>molex</b>	
		1 PLACE ± --- ± ---	MATERIAL NO.	DOCUMENT NO.	<b>SD-44520-001</b>	
		0 PLACE ± ±	<b>SEE CHART</b>		<b>1 OF 2</b>	
<b>D2</b>		ANGULAR ±1/2°	THIS DRAWING CONTAINS INFORMATION THAT IS PROPRIETARY TO MOLEX INCORPORATED AND SHOULD NOT BE USED WITHOUT WRITTEN PERMISSION			



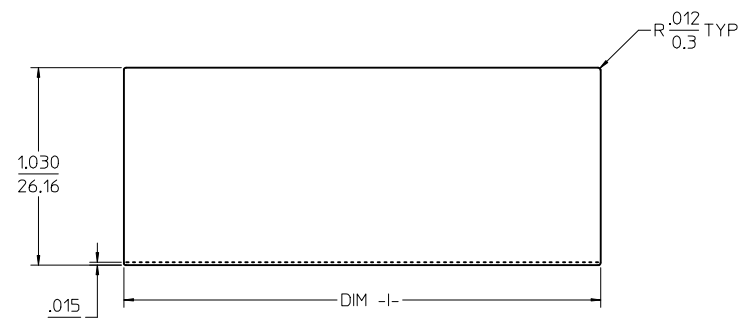
PC BOARD LAYOUT: COMPONENT SIDE  
 RECOMMENDED PCB THICKNESS: .062/1.57  
 (12 PORT VERSION SHOWN)  
 ALL DIMENSION TOLERANCES ARE ±.003/±.08  
 UNLESS SPECIFIED OTHERWISE



MOLEX TRADITIONAL PIN LAYOUT (TYP)



TYP HOLE LAYOUT (EACH PORT)



FROM TOP OF PCB TO BOTTOM OF OPENING

RECOMMENDED PANEL CUTOUT

NUMBER OF PORTS	DIM -B-	DIM -C-	DIM -D-	DIM -E-	DIM -F-	DIM -I-
8 (2 X 4)	2,100/53.34	1,500/38.10	2,050/52.07			2,360/59.94
12 (2 X 6)	3,200/81.28	1,500/38.10	2,050/52.07	2,600/66.04	3,150/80.01	3,460/87.88

SEE SHEET 1	QUALITY SYMBOLS
EC NO: UCP2017-0798	▽=0
DRW:WAFENG02 2016/10/12	▽=0
CHKD: APPR:KLANG	▽=0
REV	

GENERAL TOLERANCES (UNLESS SPECIFIED)	
4 PLACES	± .10
3 PLACES	± .010
2 PLACES	± 0.25
1 PLACE	± .005
0 PLACE	± .005
ANGULAR ±1/2°	
DRAFT WHERE APPLICABLE MUST REMAIN WITHIN DIMENSIONS	

DIMENSION STYLE	
IN/MM	DATE
DRAWN BY	MARGULIS
DATE	99/04/16
CHECKED BY	ROBERTS
DATE	99/04/18
APPROVED BY	ROBERTS
DATE	99/04/18
MATERIAL NO.	
SEE CHART	
SIZE C	

SCALE 2:1	DESIGN UNITS INCH	THIRD ANGLE PROJECTION
STACKED MODULAR JACK CATEGORY 5		
<b>molex</b>		
MATERIAL NO.	DOCUMENT NO. SD-44520-001	SHEET NO. 2 OF 2
THIS DRAWING CONTAINS INFORMATION THAT IS PROPRIETARY TO MOLEX INCORPORATED AND SHOULD NOT BE USED WITHOUT WRITTEN PERMISSION		