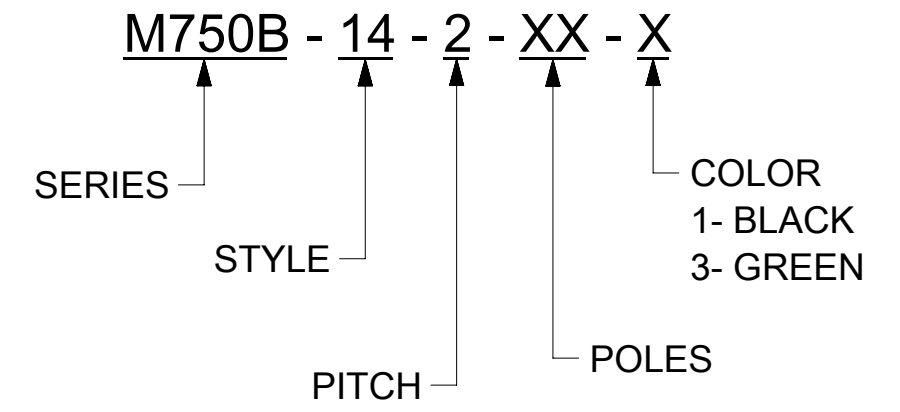


ENGINEERING NUMBER LEGEND



CONTACT FACTORY FOR OPTIONAL COLORS

SPECIFICATIONS:

- MATERIAL:
 - A. SCREW: M2.5 STEEL, ZINC PLATED
 - B. BODY : PA66, UL94 V-0
 - C. BLOCK: BRASS, NI PLATED
 - D. COVER: PA66, UL94 V-0
 - E. CONTACT : COPPER ALLOY
 - F. MTG. SCREW: M2.5 STEEL, ZINC PLATED
- WIRE SIZE: 30 TO 12AWG
- ELECTRICAL RATING : 300V, 18A
- MAX TORQUE : 5.0LBF. IN
- WIRE STRIP LENGTH: .24 IN. (6.00mm)
- OPERATING TEMPERATURE:-40°C TO +115°C

TOLERANCES			
MM	TOL	INCH	TOL
0-6	±0.25	0-.24	±.010
>6-30	±0.40	>.24-1.18	±.016
>30-120	±0.50	>1.18-4.76	±.020
>120	±0.80	>4.76	±.031

FUNCTIONAL SYMBOLS FA = 0 FC = 0 FP = 0	THIS DRAWING CONTAINS INFORMATION THAT IS PROPRIETARY TO MOLEX ELECTRONIC TECHNOLOGIES, LLC AND SHOULD NOT BE USED WITHOUT WRITTEN PERMISSION			CURRENT REV DESC: ADDED PART NUMBER 397141008																						
	DIMENSION UNITS INCH/MM		SCALE 3:1		EC NO: 735886																					
	GENERAL TOLERANCES (UNLESS SPECIFIED)				DRWN: ABENJAMINLW 2023/01/19																					
	<table border="1"> <thead> <tr> <th></th> <th>MM</th> <th>INCH</th> </tr> </thead> <tbody> <tr> <td>4 PLACES</td> <td>± ---</td> <td>± ---</td> </tr> <tr> <td>3 PLACES</td> <td>± ---</td> <td>± SEE CHART</td> </tr> <tr> <td>2 PLACES</td> <td>± SEE CHART</td> <td>± SEE CHART</td> </tr> <tr> <td>1 PLACE</td> <td>± SEE CHART</td> <td>± ---</td> </tr> <tr> <td>0 PLACES</td> <td>± ---</td> <td>± ---</td> </tr> <tr> <td>ANGULAR TOL</td> <td>± ---</td> <td>± ---</td> </tr> </tbody> </table>					MM	INCH	4 PLACES	± ---	± ---	3 PLACES	± ---	± SEE CHART	2 PLACES	± SEE CHART	± SEE CHART	1 PLACE	± SEE CHART	± ---	0 PLACES	± ---	± ---	ANGULAR TOL	± ---	± ---	CHK'D: DACHAMMER 2023/03/10
	MM	INCH																								
4 PLACES	± ---	± ---																								
3 PLACES	± ---	± SEE CHART																								
2 PLACES	± SEE CHART	± SEE CHART																								
1 PLACE	± SEE CHART	± ---																								
0 PLACES	± ---	± ---																								
ANGULAR TOL	± ---	± ---																								
DIVISIONAL SYMBOLS				APPR: JFMURPHY 2023/03/24																						
DRAFT WHERE APPLICABLE MUST REMAIN WITHIN DIMENSIONS				INITIAL REVISION: DRWN: RSTONE 2014/04/11																						
THIRD ANGLE PROJECTION				APPR: JFMURPHY 2014/10/16																						
DRAWING C-SIZE		SERIES 39714		DOCUMENT NUMBER SD-39714-001																						
MATERIAL NUMBER SEE SHEET-2		CUSTOMER GENERAL MARKET		DOC TYPE DOC PART REVISION PSD 001 A3																						
SHEET NUMBER 1 OF 2																										

PART NUMBER DATA									
CIRCUITS	PART NUMBER	ENGINEERING NUMBER	COLOR	DIM. "A"		DIM. "B"		DIM. "C"	
				IN	mm	IN	mm	IN	mm
2	397140002	M750B-14-2-02-3	GREEN	.80	20.3	.200	5.08	.600	15.24
3	397140003	M750B-14-2-03-3	GREEN	1.00	25.4	.400	10.16	.800	20.32
4	397140004	M750B-14-2-04-3	GREEN	1.20	30.5	.600	15.24	1.000	25.40
5	397140005	M750B-14-2-05-3	GREEN	1.40	35.6	.800	20.32	1.200	30.48
6	397140006	M750B-14-2-06-3	GREEN	1.60	40.6	1.000	25.40	1.400	35.56
7	397140007	M750B-14-2-07-3	GREEN	1.80	45.7	1.200	30.48	1.600	40.64
8	397140008	M750B-14-2-08-3	GREEN	2.00	50.8	1.400	35.56	1.800	45.72
8	397141008	M750B-14-2-08-1	BLACK	2.00	50.8	1.400	35.56	1.800	45.72
9	397140009	M750B-14-2-09-3	GREEN	2.20	55.9	1.600	40.64	2.000	50.80
10	397140010	M750B-14-2-10-3	GREEN	2.40	61.0	1.800	45.72	2.200	55.88
11	397140011	M750B-14-2-11-3	GREEN	2.60	66.0	2.000	50.80	2.400	60.96
12	397140012	M750B-14-2-12-3	GREEN	2.80	71.1	2.200	55.88	2.600	66.04
13		M750B-14-2-13-3	GREEN	3.00	76.2	2.400	60.96	2.800	71.12
14		M750B-14-2-14-3	GREEN	3.20	81.3	2.600	66.04	3.000	76.20
15		M750B-14-2-15-3	GREEN	3.40	86.4	2.800	71.12	3.200	81.28
16		M750B-14-2-16-3	GREEN	3.60	91.4	3.000	76.20	3.400	86.36
17	397140017	M750B-14-2-17-3	GREEN	3.80	96.5	3.200	81.28	3.600	91.44
18	397140018	M750B-14-2-18-3	GREEN	4.00	101.6	3.400	86.36	3.800	96.52
19		M750B-14-2-19-3	GREEN	4.20	106.7	3.600	91.44	4.000	101.60
20		M750B-14-2-20-3	GREEN	4.40	111.8	3.800	96.52	4.200	106.68

A3

REF. LAST 2 DIGITS OF PART NUMBER EQUALS CIRCUIT COUNT

TOLERANCES			
MM	TOL	INCH	TOL
0-6	±0.25	0-.24	±.010
>6-30	±0.40	>.24-1.18	±.016
>30-120	±0.50	>1.18-4.76	±.020
>120	±0.80	>4.76	±.031

FUNCTIONAL SYMBOLS FA = 0 FC = 0 FP = 0	THIS DRAWING CONTAINS INFORMATION THAT IS PROPRIETARY TO MOLEX ELECTRONIC TECHNOLOGIES, LLC AND SHOULD NOT BE USED WITHOUT WRITTEN PERMISSION		
	DIMENSION UNITS INCH/MM	SCALE 1:1	CURRENT REV DESC: ADDED PART NUMBER 397141008
DIVISIONAL SYMBOLS	GENERAL TOLERANCES (UNLESS SPECIFIED)		EC NO: 735886 DRWN: ABENJAMINLW 2023/01/19 CHK'D: DACHAMMER 2023/03/10 APPR: JFMURPHY 2023/03/24
	4 PLACES ± --- ± ---	MM INCH	
	3 PLACES ± --- ± SEE CHART		INITIAL REVISION: DRWN: RSTONE 2014/04/11 APPR: JFMURPHY 2014/10/16
	2 PLACES ± SEE CHART ± SEE CHART		DOCUMENT NUMBER SD-39714-001
	1 PLACE ± CHART ± ---		DOC TYPE DOC PART REVISION PSD 001 A3
	0 PLACES ± --- ± ---		MATERIAL NUMBER CUSTOMER SHEET NUMBER SEE CHART GENERAL MARKET 2 OF 2
	ANGULAR TOL ± ---	THIRD ANGLE PROJECTION	DRAWING SERIES C-SIZE 39714
	DRAFT WHERE APPLICABLE MUST REMAIN WITHIN DIMENSIONS		

molex

TERMINAL PLUG 5.08MM
45 DEGREE WIRE ENTRY WITH MOUNTING ENDS

PRODUCT CUSTOMER DRAWING