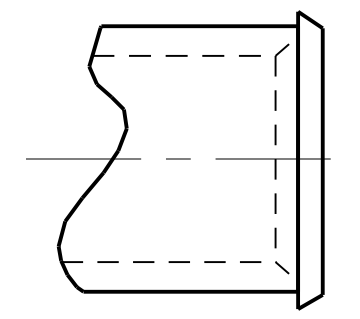
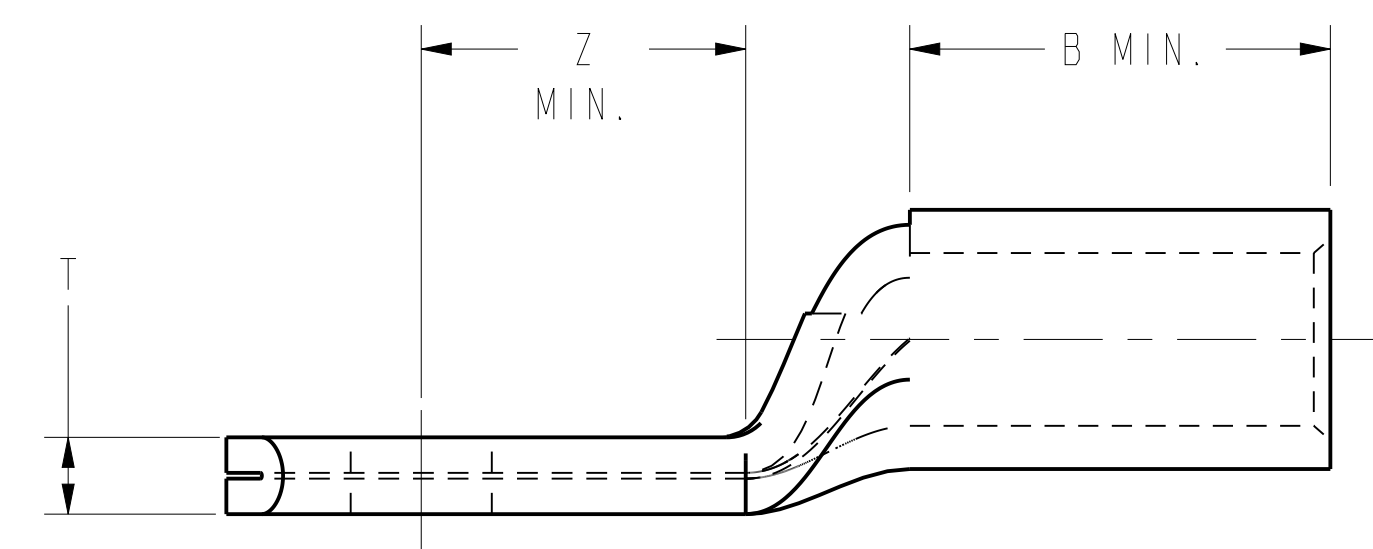
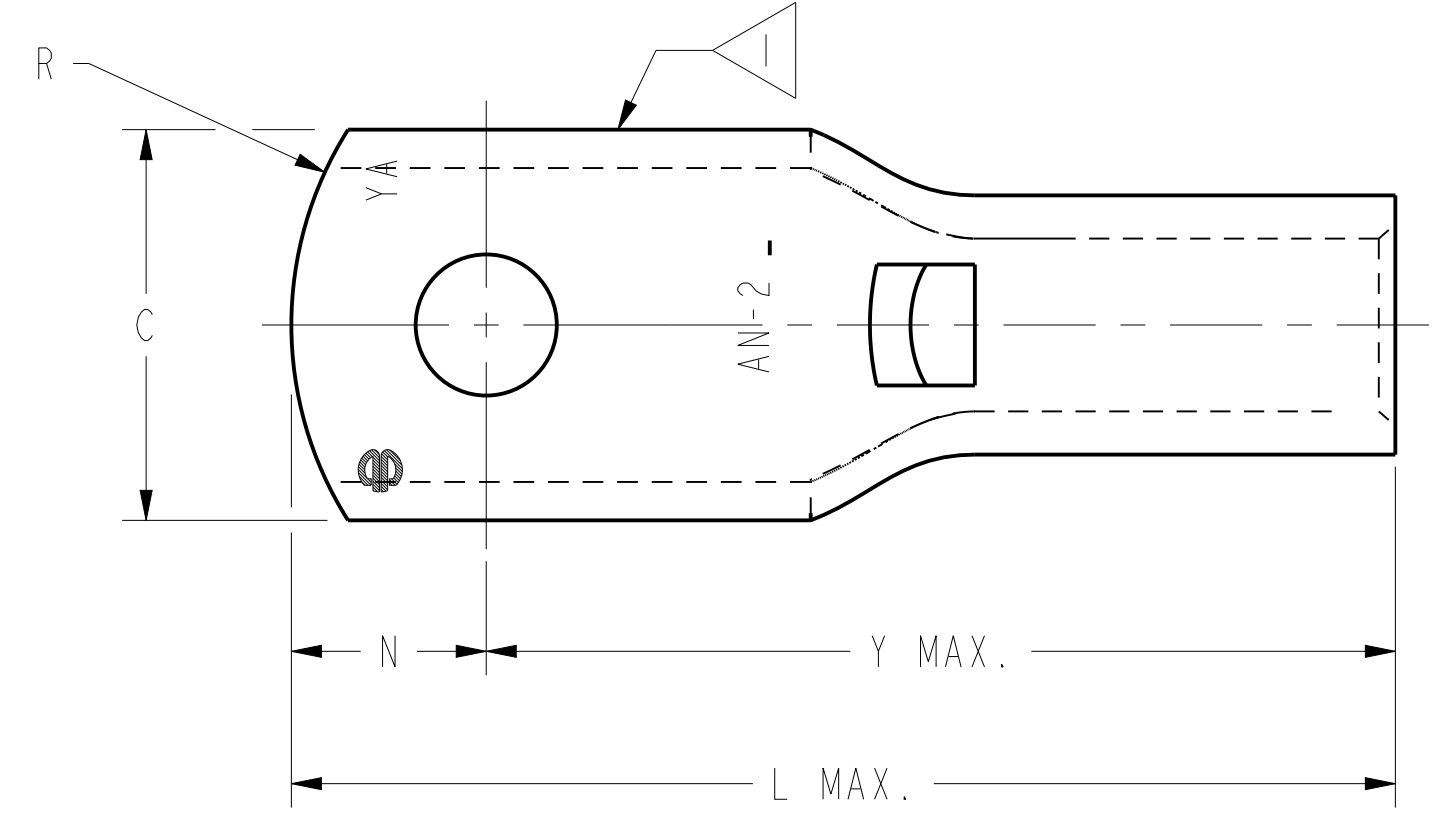


COPPER AIRCRAFT CABLE MIL-W-5036	MS20659 DASH NO. 5	STUD SIZE	CATALOG NUMBER	C	N	Z MIN.	Y MAX.	L MAX.	T	B MIN.	R REF.	INSTALLATION TOOLING					
												NON - RATCHET	RATCHET	PNEUMATIC	HYDRAULIC		
AN 12 - 10	----	8	YAV10T11	.38	.19	.26	.78	.97	.06	.40	.25	Y10D, Y10-22	Y10MRPA WITH J1022NC5 DIE MR8G98, MR89Q, Y8MRB1, MR20	Y6NCB OR Y6NCP WITH J1022NC5 DIE	---	---	
	102	10	YAV10														
	----	1/4	YAV10T3	.47	.23	.34	.85	1.09	.05	.39	.31						
	106	5/16	YAV10T2	.53	.27		.86	1.13	.04	.39							
	128	3/8	YAV10T4	.56	.28	.37	.89	1.17									
AN-8	----	6	YAV8CL15	.41		.20	.28	.94	1.15	.07	.38	MY29-11	MR4C, MR89Q, Y8MRB1, M8ND WITH N8CT DIE	Y6NCB OR Y6NCP WITH Y2CNC NEST AND J8CNC INDENTOR DIES	DV8LI NEST Y29PL INDENTOR (1) CRIMP	UV8L NEST Y34PL INDENTOR (1) CRIMP	
	140	8	YAV8CL14			.17	.25	.91	1.09								
	----	10	YAV8CL22			.28	.94	1.15									
	107		YAV8CL		.20	.25	.91	1.12									
	----	10-5MM	YAV8CL31														
	141	1/4	YAV8CL1	.46	.23	.32	.98	1.22	.07								
	108	5/16	YAV8CL2	.57		.28	.34	1.01	1.30	.05	.41						.69
	129	3/8	YAV8CL3			.31	.51	1.18	1.49								
	----	3/8-10MM	YAV8CL26		.28	.34	1.01	1.30									
	142	1/2	YAV8CL4	.73	.38	.48	1.14	1.52									
	----	5/8	YAV8CL39	.83	.50	.62	1.29	1.79	.04		.75						
	----	12	YAV8CL86	.41	.20	.26	.93	1.13	.07		.38						
	----	1/4	YAV8CL1B	.46	.23	.32	.99	1.22	.07		.38						
	----	1/4	YAV8CL1BOX500	.46				1.22									
----	10	YAV8CLBOX500	.41	.20	.28	.94	1.15	.07									
AN-6	130	10	YAV6CL1	.48	.24	.29	1.06	1.31	.07	.38	MY28 MY29-11	MR4C	Y6NCB OR Y6NCP WITH Y2CNC NEST AND J6CNC INDENTOR DIES	DV6L NEST Y29PL INDENTOR (1) CRIMP	UV6L NEST Y34PLA INDENTOR (1) CRIMP		
	----	10-5MM	YAV6CL12	.50	.25	.34	1.11	1.37	.07								
	109	1/4	YAV6CL	.48	.24	.29	1.06	1.31	.07								
	----	5/16	YAV6CL21	.50	.25	.63	1.40	1.65	.07								
	131	5/16	YAV6CL4	.60	.30	.35	1.13	1.43	.06	.47						.69	
	110	3/8	YAV6CL2														
	----	3/8	YAV6CL22	.69	.44	.45	1.23	1.67	.05								
	----	3/8-10MM	YAV6CL26	.60	.30	.35	1.13	1.43	.06								
	143	1/2	YAV6CL10	.74	.38	.49	1.26	1.64									
	----	10	YAV6CL19BOX	.44	.24	.29	1.06	1.31	.69							.38	
----	1/4	YAV6CLBOX500	.50	1.28													
AN-4	144	10	YAV4CL3	.55		.25		1.37	.08	.38	MY28 MY29-11	MR4C	---	DV4L NEST Y29PL INDENTOR (1) CRIMP	UV4L NEST Y34PLA INDENTOR (1) CRIMP		
	----	10-5MM	YAV4CL21			.28	.28	1.11								1.39	
	111	1/4	YAV4CL		.25			1.37									
	----	1/4	YAV4CL30		.28	.35	1.18	1.46									
	----	1/4	YAV4CL31		.28	.28	1.11	1.39									
	132	5/16	YAV4CL4	.63	.31	.33	1.17	1.48	.07	.47						.69	
	112	3/8	YAV4CL2														
----	3/8	YAV4CL17		.33	1.17	1.48											
----	3/8-10MM	YAV4CL22		.33	1.17	1.48											
145	1/2	YAV4CL5	.73	.38	.47	1.30	1.68	.06									

INSTALLATION TOOLING			
NON - RATCHET	RATCHET	PNEUMATIC	HYDRAULIC
Y10D, Y10-22	Y10MRPA WITH J1022NC5 DIE MR8G98, MR89Q, Y8MRB1, MR20	Y6NCB OR Y6NCP WITH J1022NC5 DIE	Y29B, Y29NC Y35, Y35BH, Y39, Y39BH, Y750, Y750BH
MY29-11	MR4C, MR89Q, Y8MRB1, M8ND WITH N8CT DIE	Y6NCB OR Y6NCP WITH Y2CNC NEST AND J8CNC INDENTOR DIES	DV8LI NEST Y29PL INDENTOR (1) CRIMP UV8L NEST Y34PL INDENTOR (1) CRIMP
MY28 MY29-11	MR4C	Y6NCB OR Y6NCP WITH Y2CNC NEST AND J6CNC INDENTOR DIES	DV6L NEST Y29PL INDENTOR (1) CRIMP UV6L NEST Y34PLA INDENTOR (1) CRIMP
MY28 MY29-11	MR4C	---	DV4L NEST Y29PL INDENTOR (1) CRIMP UV4L NEST Y34PLA INDENTOR (1) CRIMP



- NOTES:
1. DUE TO METHODS OF MANUFACTURING, SERRATIONS APPEAR ON TONGUE.
 2. MATERIAL: COPPER TUBING
 3. STANDARD FINISH: TIN PLATED
ALTERNATE PLATING OPTIONS: ADD SUFFIX TO DENOTE DIFFERENT PLATING REQUIREMENTS.
NK = NICKEL PLATING
W = HOT TIN DIP.
SV = MATTE SILVER PLATING
BR = BARE (UNPLATED)
LD = LEAD PLATING
 4. ALL ITEMS ARE LISTED BY UNDERWRITERS LABS PER CONTROL NUMBER 670-B, FILE NUMBER E9498, WHITE CARD.
 5. ADD "B" SUFFIX FOR BELLED BARREL. BELLED VERSIONS OF THESE HYLUGS™ DON'T CONFORM TO THE MS20659 DASH NO.

CAT. NO. YAV6C-L10B
SUPERSEDES: SA16635

HYLUG™	
ITEM NO:	N/A
CAT. NO:	YAVL (SEE TABLE)
DRAWN BY:	ESK 02-02-73
CHECKER:	TB 06-01-77
DSN APPVL:	TB 06-01-77
MFG APPVL:	--
QA APPVL:	--
MKT APPVL:	--
PROD FAM:	PROD./SMALL COMPRE.
PROJECT #:	SIZE
DOCUMENT TYPE:	SD034764
REL LEVEL:	Released



SCALE: 3:1

DRAWING NO. REV

SHEET 1 OF 3 C

REV: PEO200