

W76-94

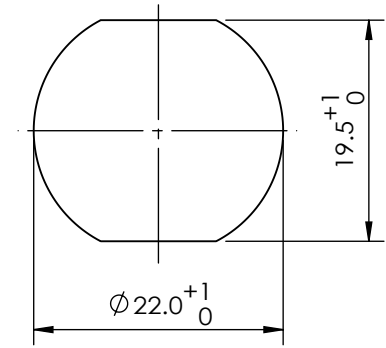


BUTTON CODE	BUTTON DESCRIPTION
4	LARGE CIRCULAR
5	DOMED

FUNCTION TYPE CODE	FUNCTION DESCRIPTION
0	PUSH BUTTON, MOMENTARY

TERMINATION CODE	TERMINATION DESCRIPTION
439088	SOLDER/FASTON 1 POLE
50443	SOLDER/FASTON 1 POLE

BUTTON COLOR CODE	BUTTON COLOR
R	RED
G	GREEN
B	BLACK
N	BLUE
Y	YELLOW
W	WHITE



RECOMMENDED PANEL CUT-OUT

MECHANICAL CHARACTERISTICS:

SWITCH ACTION: MOMENTARY
 SWITCH CIRCUITRY: SPDT-DB
 BUTTON TRAVEL: 2.3mm NOMINAL
 OPERATING FORCE: 7N NOMINAL
 PANEL THICKNESS: 6 MAX.
 INSTALATION TORQUE: 2.5 Nm
 LIFE: 1000K CYCLES

ENVIRONMENTAL:

TEMPERATURE RANGE: -40°C TO +125°C
 INGRESS PROTECTION: IP67
 SHOCK: 50G
 IMPACT: 20JOULES

ELECTRICAL:

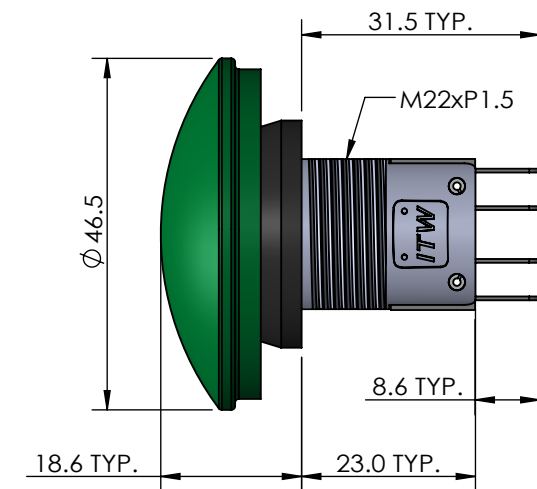
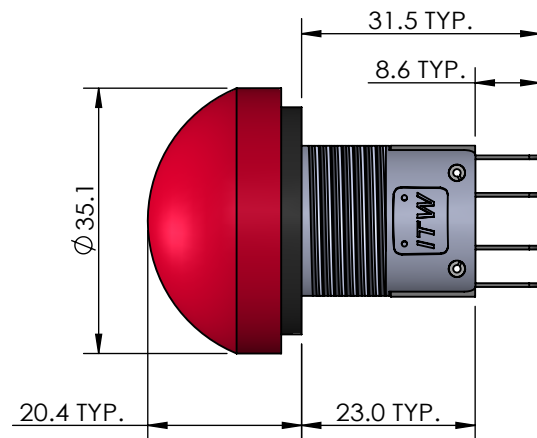
CURRENT RATINGS:

5A@250 Va.c.,
 AT -40°C TO +125°C, 100K CYCLES NOMINAL
 10A@250 Va.c.,
 AT -40°C TO +70°C, 50K CYCLES NOMINAL

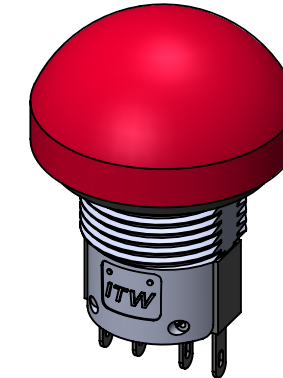
DIELECTRIC STRENGTH: 1,000 Vrms
 INSULATION RESISTANCE: 1G OHM
 CONTACT RESISTANCE: 25m OHMS INITIAL

NOTE:

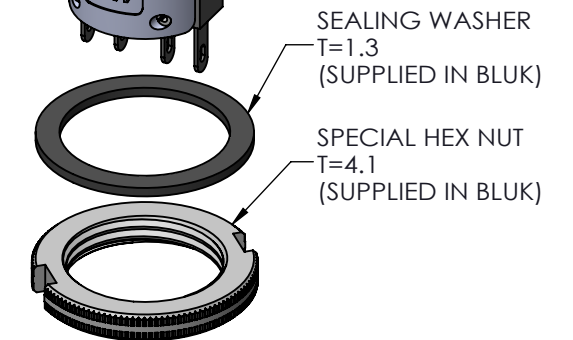
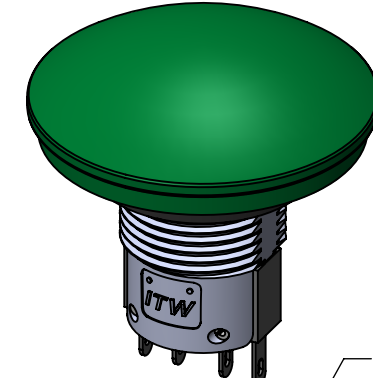
- ALL METAL EXTERNAL PARTS STRIPABLE SWITCHING ELEMENT CAN BE REPLACED.
- SUPPLY HEX NET AND SEALING WASHER BULK IN PACKED



DOMED TYPE



LARGE CIRCULAR TYPE



DWG TYPE SALES DRAWING	DRAWN e.e.	TOLERANCES: UNLESS OTHERWISE NOTED X.X ± 0.5 X.XX ± 0.2 ANGULAR ± 1°	DWG TITLE W76-94 MECHANICAL MOMENTARY, METAL HOUSING, NONE ILLUMINATION	
STATUS RELEASE	REVIEW --		DWG NO. W76-94X0 SERIES	
<small>This document is the intellectual property of ITW Electronic Business Asia Co., Limited and may contain confidential, proprietary, privileged information protected by law. Neither this document nor any information it contains can be reproduced, transformed to any other format, or distributed, without written permission by ITW Electronic Business Asia Co., Limited. 本文件為安達維百電股份有限公司之智慧財產，非經許可不得擷取、複製、轉變成其他形式使用或散佈。</small>		APPROVED v.w.	THIRD ANGLE PROJECTION 	<input checked="" type="checkbox"/> 管制文件 <input type="checkbox"/> 非管制文件
		DATE 2021.05.18	REF: --	



RoHS Compliant SHEET 1 OF 2