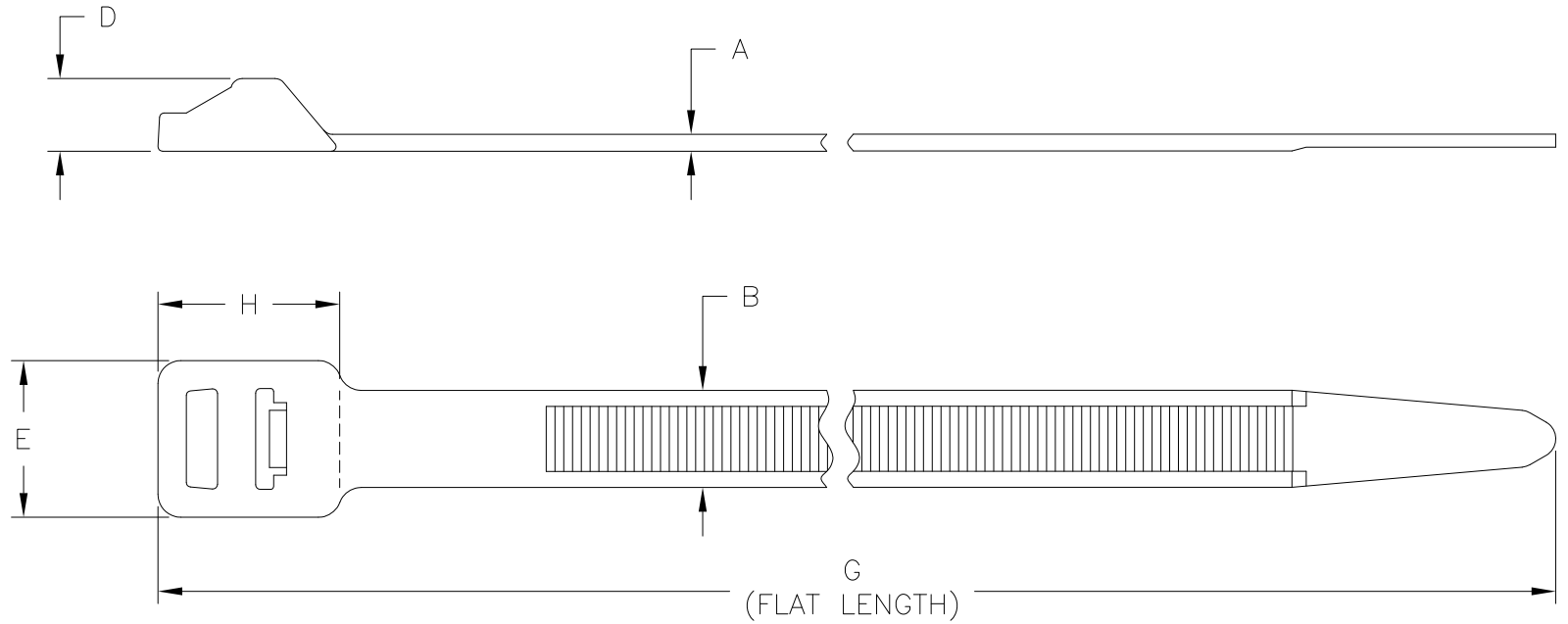


Revision level		Revision Record	Changed	Date	Approved	Date
part	drawing					
—	02					



Aerospace Spec Tie SAE AS33671	Type	Cable Range (mm)	Material	A	B	D	E	G	H	Min Loop Tensile Strength (newtons)
no	T250I	12 to 203	PA66	2.2 ±0.2	12.5±0.2	9.5 ±0.5	20.0 ±0.5	730.0 ±5.0	22.4 ±1.0	1115
no			PA66HS							
no			PA66HIRHSUV							

SEE CHART

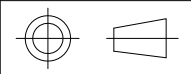
Material

Dimension tolerances unless otherwise specified
 .XXXX =
 .XXX =
 .XX =
 .X = ± NOTED
 < =

Dimension Units mm

PERFORMANCE SPECIFICATION

ACAD MECH
2013



Drawn G.G.G. 07/31/91
Approved K.A.C. 12/13/13

Scale 1:1
Computer File Number CT\CST\2250007_02
Phase: Production

ALL PROPRIETARY RIGHTS IN THE SUBJECT MATTER SHOWN ON THIS DRAWING ARE EXCLUSIVE PROPERTY OF HELLERMANN TYTON

HellermannTyton®

7930 N. Faulkner Rd.
Milwaukee, WI 53224
Ph: (414) 355-1130
Fx: (414) 362-8338

**T250I
HEAVY DUTY
LASHING CABLE TIE**

Drawing-No **CT2250007CST**

Format AH
Sheet 1 of 1