

GlobTek, Inc. www.globtek.com 186 Veterans Drive, Northvale, NJ 07647 Tel. (201) 784-1000 Fax (201) 784-0111	Drawing Title: USB 2.0 5A 1 260°C Surface Mount 12 Male -55°C~+85°C Gold Copper Alloy Type-C SMD USB Connectors ROHS	
	Model No. Connector	Part No./Ordering No. PLUG-USBC-241SMT-TH-4BC2LS

In Addition to GlobTek Inc.'s renewed ISO9001:2008 - Quality Management System Certification, GlobTek Inc. is now certified to:

ISO13485:2003 - Medical Devices Quality Management System Certification
ISO14001:2004 - Environmental Management System Certification

ISO Certificates are available online at <http://www.globtek.com/iso-certificates/>

The acceptance of this specification and use of the product described in this document indicates the acceptance and binding of the customer to Globtek TERMS AND CONDITIONS (attached to the end of this document), which supersede all other agreements, terms, and conditions (<http://en.globtek.com/terms-and-conditions/>).

Prop 65 Statement:<https://en.globtek.com/prop-65-statement.pdf>

Footnote:

GlobTek Inc. will not be liable for the safety and performance of these power supplies if unauthorized access and repair occurs. End user should consult applicable UL, CSA or EN standards for proper installation instruction.

Limitation of Use:

GlobTek products are intended for use with commercial, medical, and/or industrial equipment only. GlobTek product are not authorized for use as mission critical components in life support hazardous environment, nuclear or aircraft applications without prior written approval from the CEO of GlobTek Inc.

Contents of this document are subject to change without prior notice.

Customer Approval of Specification:

Please approve, sign and send back to GlobTek so we can complete order processing.
A delay in receipt of this form will delay delivery schedule.

Company Name:	Customer P/N:
Quote Number:	Date:
Authorized Representative Name:	Authorized Representative Signature:

GlobTek, Inc. www.globtek.com 186 Veterans Drive, Northvale, NJ 07647 Tel. (201) 784-1000 Fax (201) 784-0111	Drawing Title: USB 2.0 5A 1 260°C Surface Mount 12 Male -55°C~+85°C Gold Copper Alloy Type-C SMD USB Connectors ROHS	
	Model No. Connector	Part No./Ordering No. PLUG-USBC-241SMT-TH-4BC2LS
		Rev A

REVISION HISTORY

REV	DESCRIPTION	SUB	DATE	APPROVED
A	Initial release	QA	08/16/2022	QA

3D CAD FILE:

<https://www.globtek.com/file/dl/plug-usbc-241smt-th-4bc2ls.stp>

AGENCY ONLINE DOCUMENTS

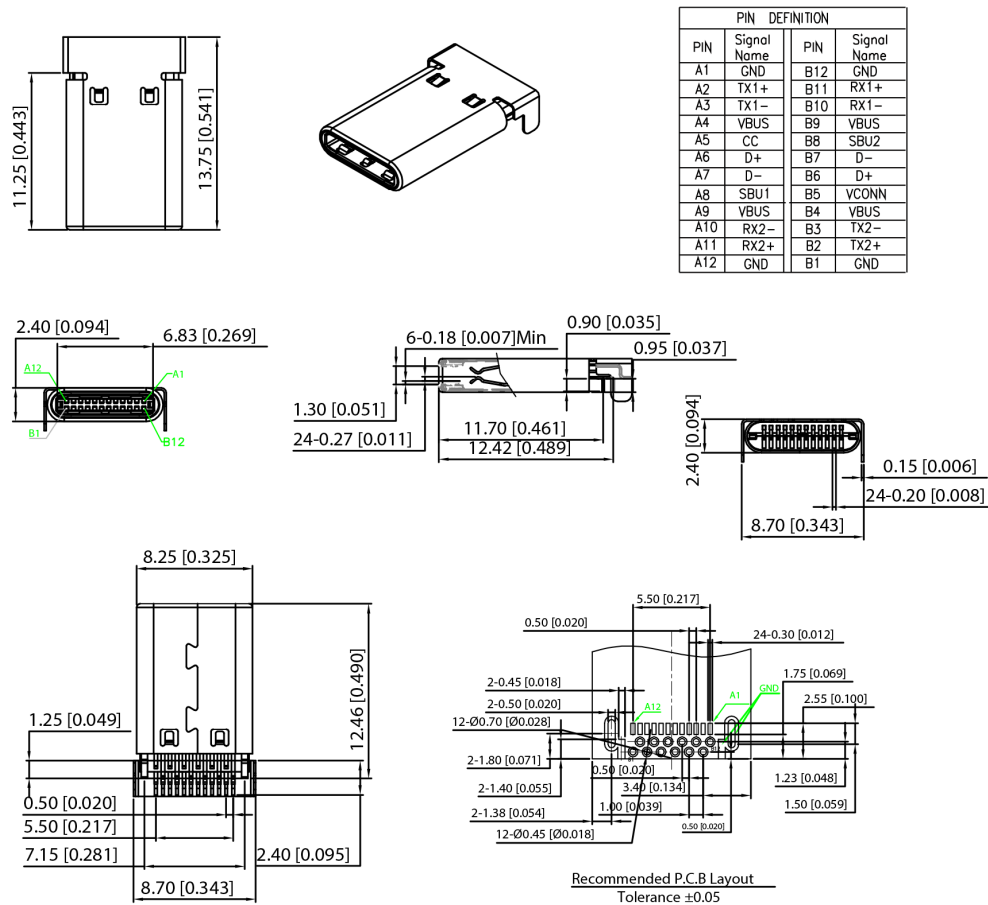
RoHS/RoHS3 Declaration https://www.globtek.com/pdf/rohs_cert/01t3a000004Wn6DAAS

REACH Declaration https://www.globtek.com/pdf/iso_certificates/REACH.pdf

Conflict Minerals Declaration <https://www.globtek.com/pdf/conflict-minerals.pdf>

Prop 65 Statement <https://en.globtek.com/prop-65-statement.pdf>

IPXY rating is based on 3rd party testing and customers should check suitability and test system level IPXY rating before ordering.



PIN DEFINITION			
PIN	Signal Name	PIN	Signal Name
A1	GND	B12	GND
A2	TX1+	B11	RX1+
A3	TX1-	B10	RX1-
A4	VBUS	B9	VBUS
A5	CC	B8	SBU2
A6	D+	B7	D-
A7	D-	B6	D+
A8	SBU1	B5	VCONN
A9	VBUS	B4	VBUS
A10	RX2-	B3	TX2-
A11	RX2+	B2	TX2+
A12	GND	B1	GND

PLUG-USBC-241SMT-TH-4BC2LS

Au 1U" MIN
BLACK
LCP

PROPRIETARY INFORMATION

PROPRIETARY OF GLOBTEK, INC. ANY REPRODUCTION, DISCLOSURE OR USE OF THIS DRAWING, IN WHOLE OR IN PART, IS HEREBY PROHIBITED EXCEPT AS SPECIFIED IN WRITING BY GLOBTEK, INC. © GlobTek, Inc. 2022 - 2023

<p>GlobTek, Inc. www.globtek.com 186 Veterans Drive, Northvale, NJ 07647 Tel. (201) 784-1000 Fax (201) 784-0111</p>	Drawing Title: USB 2.0 5A 1 260°C Surface Mount 12 Male -55°C~+85°C Gold Copper Alloy Type-C SMD USB Connectors ROHS
	Model No. Connector Part No./Ordering No. PLUG-USBC-241SMT-TH-4BC2LS
	Rev A

NOTES:

1.MATERIALI:

CONTACTS: Copper alloy T=0.15

INSULATOR: HIGH TEMPERATURE PLASTIC

UL 94V-0,

Shell: STEEL T=0.15

2.ELECTRICAL PERFORMANCE:

INSULATION RESISTANCE: 100Mohm MIN.

CONTACT RESISTANCE: 40mohm MAX.

DIELECTRIC WITHSTANDING: 100 VAC

CURRENT RATING: 5A MIN.

3.MECHANICAL PERFORMANCE:

MATING FORCE: 5~20N

UNMATING FORCE: 8~20N

DURABILITY: 10000 CYCLES

Temperature Life, Vibration, Cyclic Temperature and Humidity, Thermal Shock, Mixed Flowing Gas and etc.:

<https://www.globtek.com/pdf/ENVIRONMENTAL.pdf>

GlobTek, Inc.
 www.globtek.com
 186 Veterans Drive,
 Northvale, NJ 07647
 Tel. (201) 784-1000
 Fax (201) 784-0111

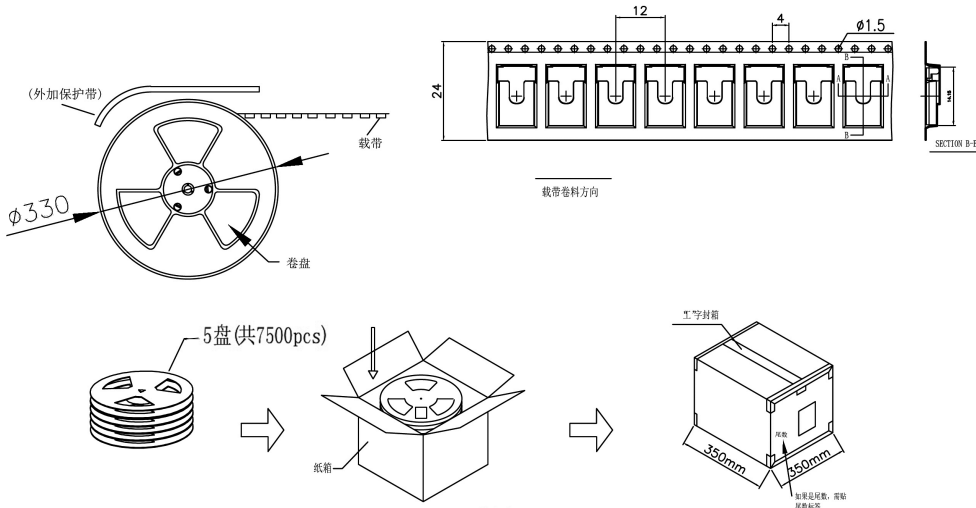
Drawing Title: USB 2.0 5A 1 260°C Surface Mount 12 Male -55°C~+85°C Gold Copper Alloy Type-C SMD USB Connectors ROHS

Model No. [Connector](#)

Part No./Ordering No. [PLUG-USBC-241SMT-TH-4BC2LS](#)

Rev A

Packing:



Notes:
 每卷前后各含15PCS, 尾部用美纹胶纸封住,
 将产品放入载带内, 共放1500PCS, 放满盘后,
 再卷一圈保护带,
 保护带最后重叠约50mm, 用美纹胶纸将其封住
 每5卷盘装入一个纸箱内;
 在搬运过程中要轻拿轻放,
 在运输中不可堆放过多,不可有重压现象。
 跌落测试条件:
 成品箱子从1.5米自由落体; 仁按六面一角检验项目;
 产品不可跑出下带凹槽
 产品不可有弹伤,变形
 外箱及内包装材料不可严重破损。

包装数量	净重	毛重
7500PCS/箱	4.976G/箱	6.738G/箱

GlobTek, Inc. www.globtek.com 186 Veterans Drive, Northvale, NJ 07647 Tel. (201) 784-1000 Fax (201) 784-0111	Drawing Title: USB 2.0 5A 1 260°C Surface Mount 12 Male -55°C~+85°C Gold Copper Alloy Type-C SMD USB Connectors ROHS	
	Model No. Connector	Part No./Ordering No. PLUG-USBC-241SMT-TH-4BC2LS
		Rev A

PACKAGING

Packing Spec P/N: _____

Box Qty: 7500

Gift Box Size (mm): _____

Gift Box Color: White

Master Carton Size (mm): 350 x 350 x 220

Master Carton Cubic

Volume (m³): 0.03

Master GW (Kg): 6.8 kg

wt Ea. (Kg): 0.00 kg

wt Ea. (Kg): 0.00 kg

LABEL SPECS: _____ , _____

PACK SPEC: _____