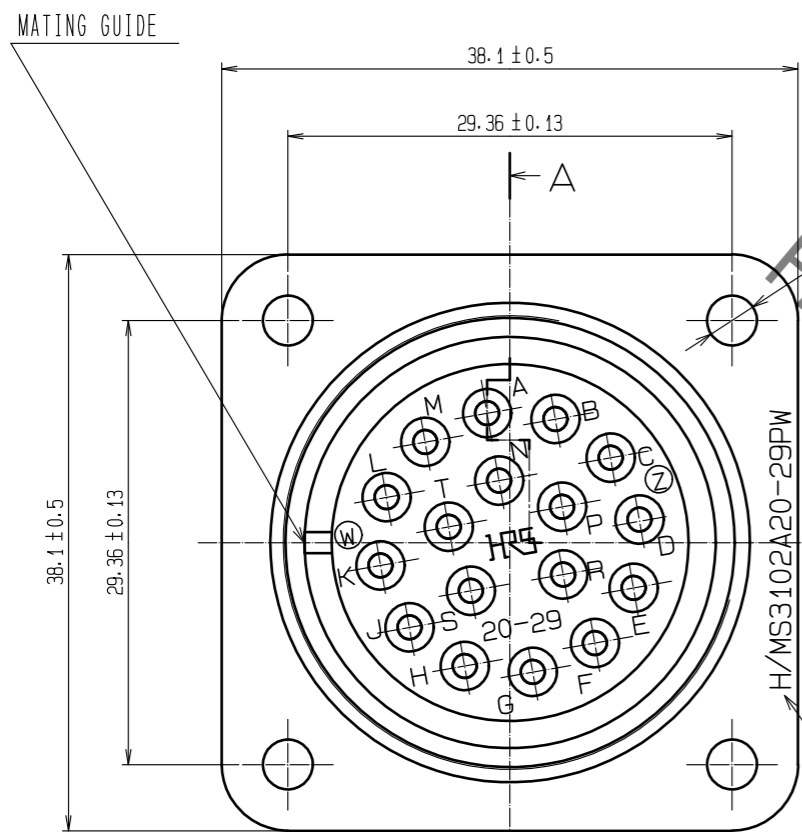
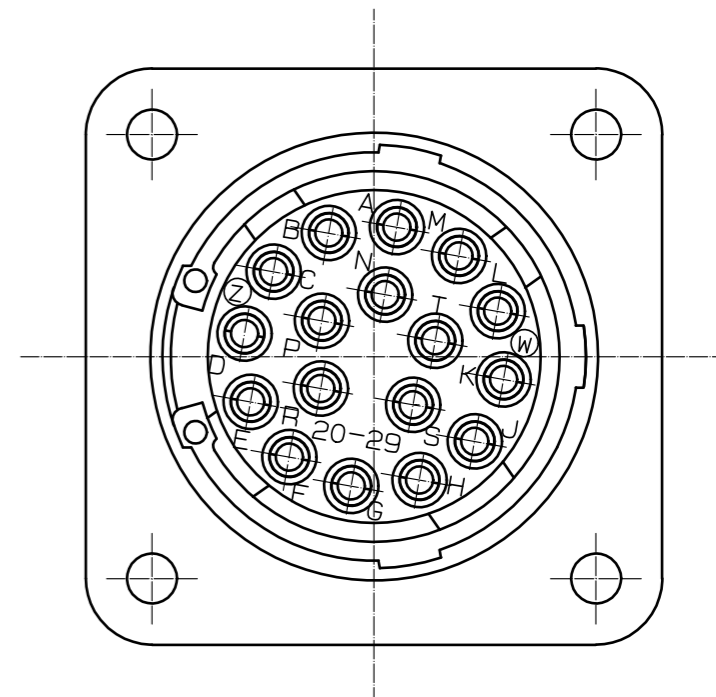
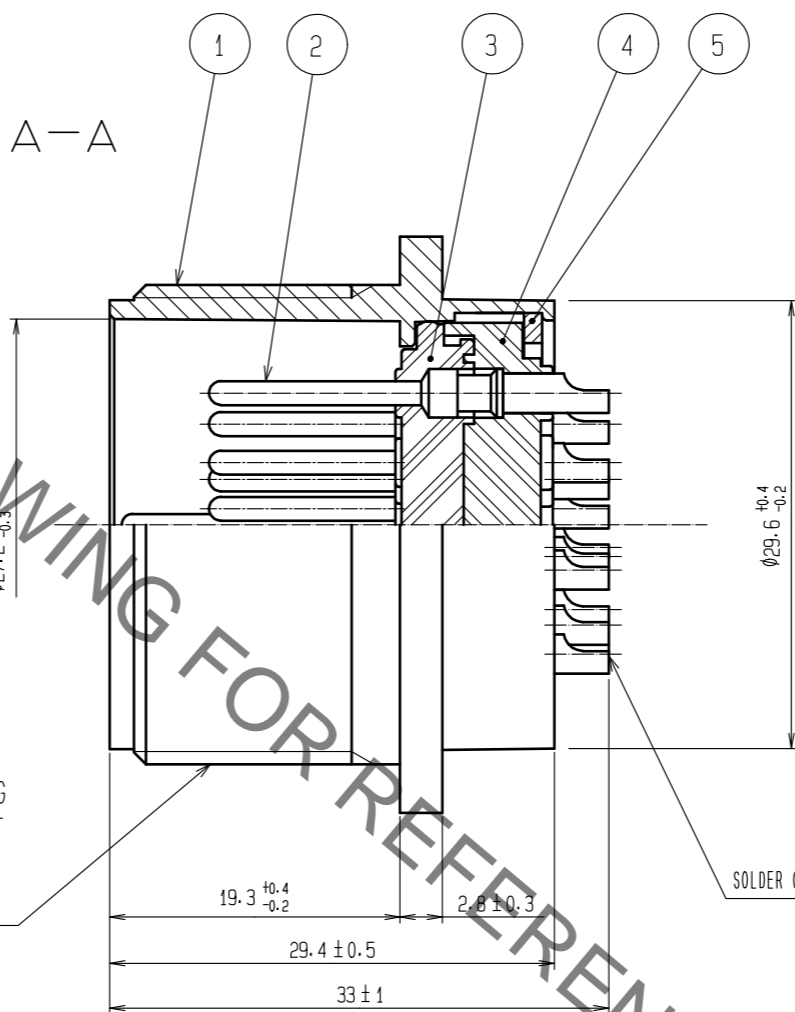


Aug.1.2019 Copyright 2019 HIROSE ELECTRIC CO., LTD. All Rights Reserved.
 In case of consideration for using Automotive equipment / device which demand high reliability, kindly contact our sales window correspondents.



PART NO. MARKING

11/4-18UNEF-2A



3	SILICONE RUBBER	(BLACK)						
2	BRASS	SILVER PLATING 2 μm min.	5	STEEL	NICKEL PLATING			
1	ALUMINUM ALLOY	BLACK CHROMATE TREATMENT (TRIVALENT CHROMIUM)	4	PBT	(BLACK) UL94V-0			
NO.	MATERIAL	FINISH . REMARKS	NO.	MATERIAL	FINISH . REMARKS			
UNITS mm			SCALE 2 : 1	COUNT 	DESCRIPTION OF REVISIONS	DESIGNED	CHECKED	DATE
HRS HIROSE ELECTRIC CO., LTD.		APPROVED : HY. KOBAYASHI	18.06.08	DRAWING NO. EDC-040591-74-00				
		CHECKED : HY. KOBAYASHI	18.06.08	PART NO. H/MS3102A20-29PW(74)				
		DESIGNED : HY. KISHI	18.06.08	CODE NO. CL120-0103-6-74				
		DRAWN : HY. KISHI	18.06.08					