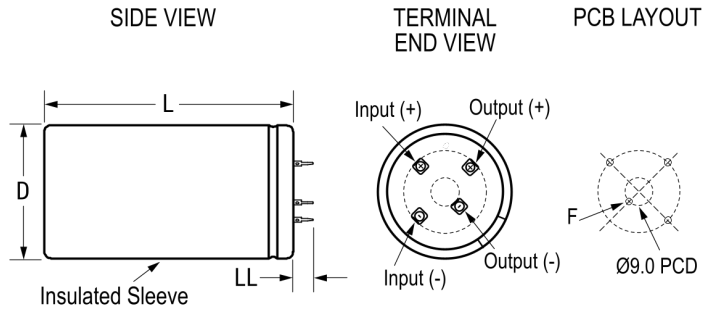


ALN20S1067DD

Aliases (A527HJ103M063XVS01)

ALN20S, Aluminum Electrolytic, 10,000 uF, 20%, 63 VDC, -40/+85°C



General Information

Series	ALN20S
Dielectric	Aluminum Electrolytic
Description	Audio Specific Aluminum Electrolytic
Features	Audio Grade
RoHS	Yes
Lead	4 Pin Solder Tags
AEC-Q200	No
Component Weight	95 g
Notes	Dimensions D And L Include Sleevings.

Specifications

Capacitance	10,000 uF
Capacitance Tolerance	20%
Voltage DC	63 VDC, 72.45 VDC (Surge)
Temperature Range	-40/+85°C
Rated Temperature	85°C
Life	18000 Hrs
Leakage Current	6000 uA (5min 20°C)

Click [here](#) for the 3D model.

Dimensions

D	40mm +/-1mm
L	55mm +/-2mm
S	25mm
LL	6.3mm +/-1mm
F	1.3mm

Packaging Specifications

Sleevings	Yes
Packaging	Bulk, Bag

Statements of suitability for certain applications are based on our knowledge of typical operating conditions for such applications, but are not intended to constitute - and we specifically disclaim - any warranty concerning suitability for a specific customer application or use. This information is intended for use only by customers who have the requisite experience and capability to determine the correct products for their application. Any technical advice inferred from this information or otherwise provided by us with reference to the use of our products is given gratis, and we assume no obligation or liability for the advice given or results obtained.