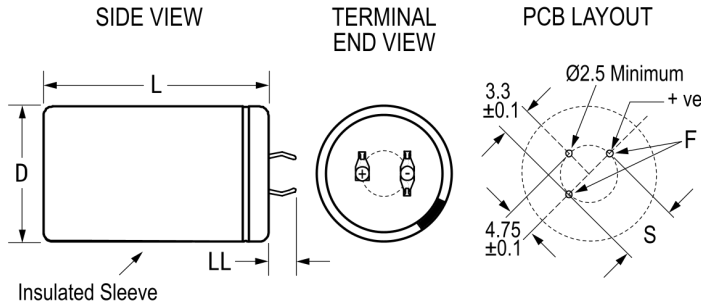


ALC80F111CB500

Aliases (A547DD111M500F)

ALC80, Aluminum Electrolytic, 110 uF, 20%, 500 VDC, -40/+105°C



| General Information | |
|---------------------|---------------------------------------|
| Series | ALC80 |
| Dielectric | Aluminum Electrolytic |
| Description | Snap-In, Aluminum Electrolytic |
| RoHS | Yes |
| Lead | 3 Pin Short |
| AEC-Q200 | No |
| Halogen Free | Yes |
| Component Weight | 40 g |
| Notes | Dimensions D And L Include Sleevings. |
| Shelf Life | 156 Weeks |

Click [here](#) for the 3D model.

| Dimensions | |
|------------|---------------|
| D | 30mm +1mm |
| L | 30mm +/-2mm |
| S | 10mm +/-0.1mm |
| LL | 4mm +/-1mm |
| F | 2mm +/-0.1mm |

| Packaging Specifications | |
|--------------------------|-----------|
| Sleevings | Yes |
| Packaging | Bulk, Bag |

| Specifications | |
|-----------------------|--|
| Capacitance | 110 uF |
| Capacitance Tolerance | 20% |
| Voltage DC | 500 VDC, 550 VDC (Surge) |
| Temperature Range | -40/+105°C |
| Rated Temperature | 105°C |
| Life | 7000 Hrs (Rated Voltage And Ripple Current At 105C), 11000 Hrs (Rated Voltage At 105C) |
| Resistance | 1536 mOhms (100Hz 20C), 1059 mOhms (10kHz 20C) |
| Ripple Current | 1.111 Amps (100Hz 105C), 3.035 Amps (10kHz 105C) |
| Leakage Current | 165 uA (5min 20°C) |

Statements of suitability for certain applications are based on our knowledge of typical operating conditions for such applications, but are not intended to constitute - and we specifically disclaim - any warranty concerning suitability for a specific customer application or use. This information is intended for use only by customers who have the requisite experience and capability to determine the correct products for their application. Any technical advice inferred from this information or otherwise provided by us with reference to the use of our products is given gratis, and we assume no obligation or liability for the advice given or results obtained.