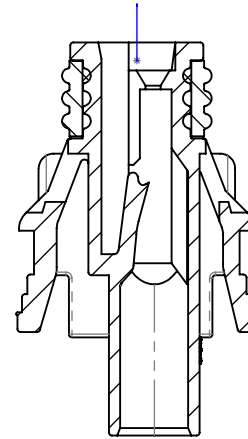
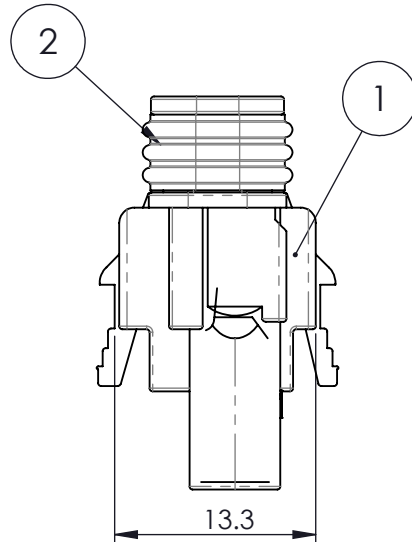
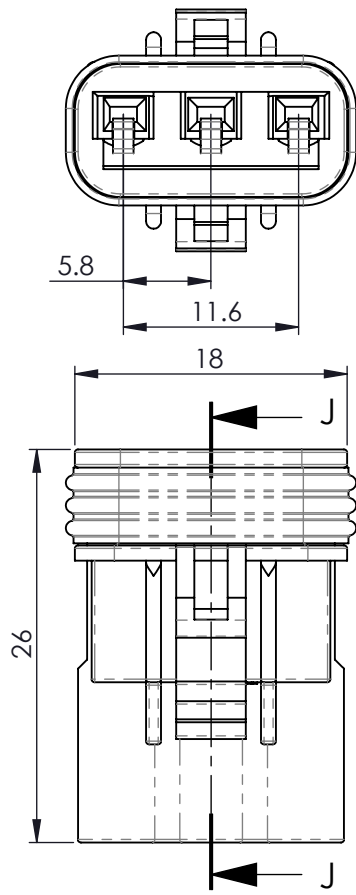


THIS IS A C.A.D. GENERATED DRAWING
DO NOT MAKE MANUAL REVISIONS TO MASTER.



ISSUE NUMBER

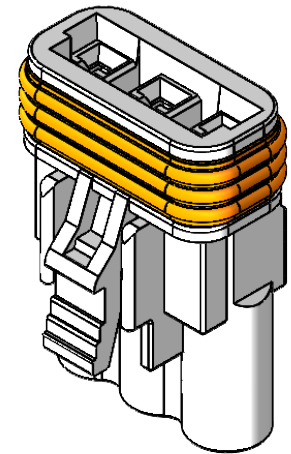
ORIGINAL ①




SECTION J-J

MATERIALS:
HOUSING: PBT, UL94V-0, WHITE COLOR
WIRE-HOUSING SEAL: SILICON RUBBER

- SPECIFICATIONS**
1. PITCH: 5.8MM
 2. RATED VOLTAGE: 300V
 3. RATED CURRENT: 10A MAX
 4. WITHSTAND VOLTAGE: AC 1700V R.M.S.
 5. CONTACT RESISTANCE: 10 mOHMS MAX
 6. INSULATION RESISTANCE: 1000 MOHMS MIN/DC 500V
 7. TEMPERATURE RANGE: -40°C ~ +105°C
 8. WATERPROOF GRADE: TESTED AND CERTIFIED TO IP67



ITEM NO.	DESCRIPTION	QTY.
1	572-003-000-FEMALE-HOUSING	1
2	570-003-000-HOUSING-SEAL	1
Waterproof Connector, Insulator, Female, White, 3Pin 572-003-000-200		ACAD REFERENCE NO. 572-003-000-200
		DRAWN: R.STA.MONICA DATE: NOV.16/15
		CHECKED: DATE:
		SCALE: NOT TO SCALE SHEET 1 OF 1
 EDAC INC TORONTO, ONTARIO CANADA YOUR CONNECTION TO QUALITY & SERVICE		DRAWING NUMBER 572-003-000-200
		THESE DRAWINGS AND SPECIFICATIONS ARE THE PROPERTY OF EDAC INC. AND SHALL NOT BE REPRODUCED, OR COPIED OR USED AS THE BASIS FOR THE MANUFACTURE OR SALE OF APPARATUS WITHOUT WRITTEN PERMISSION.
		ISSUE 1



THIS SERIES FULLY CONFORMS TO THE
EUROPEAN UNION DIRECTIVES
2011/65/EU FOR RoHS COMPLIANCY