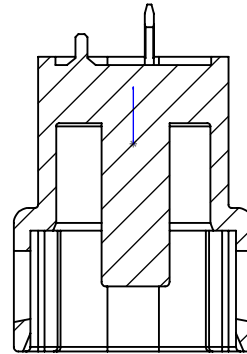
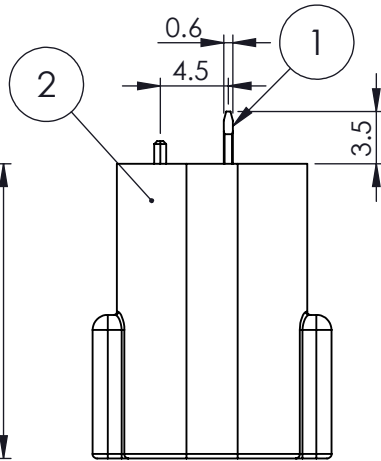
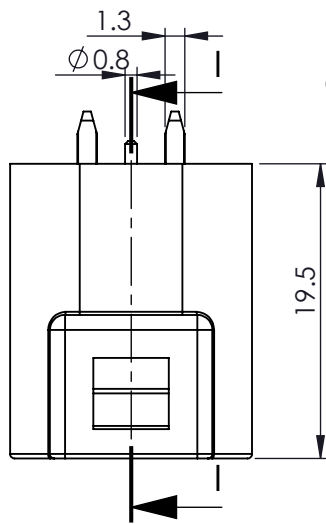
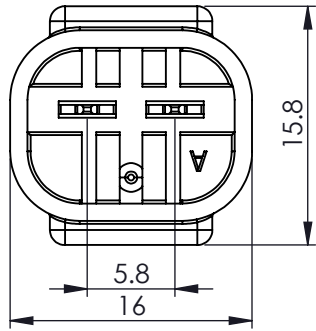


THIS IS A C.A.D. GENERATED DRAWING  
DO NOT MAKE MANUAL REVISIONS TO MASTER.



ISSUE NUMBER

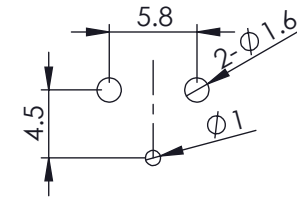
ORIGINAL ①



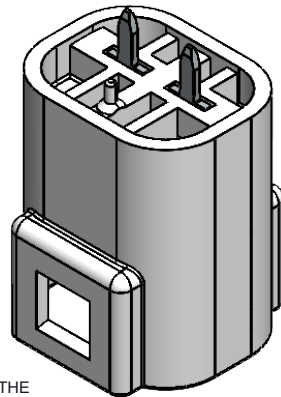
SECTION I-I

**MATERIALS:**  
HOUSING: PBT, UL94V-0, WHITE COLOR  
TERMINAL: BRASS, TIN PLATED

- SPECIFICATIONS**
1. PITCH: 5.8MM
  2. RATED VOLTAGE: 300V
  3. RATED CURRENT: 10A MAX
  4. WITHSTAND VOLTAGE: AC1700V R.M.S.
  5. CONTACT RESISTANCE: 10 mOHMS MAX
  6. INSULATION RESISTANCE: 1000 MOHMS MIN/DC 500V
  7. TEMPERATURE RANGE: -40°C ~ +105°C
  8. WATERPROOF GRADE: TESTED AND CERTIFIED TO IP67



RECOMMENDED PCB HOLE



ITEM NO.	DESCRIPTION	QTY.
1	570-420 PCB-TERMINAL-1	2
2	572-002-420-PCB HOUSING	1

Waterproof Connector, PCB Mount, Male,  
White, 2Pin  
572-002-420-101

ACAD REFERENCE NO. 572-002-420-101

DRAWN:R.STA.MONICA DATE: NOV.16/15

CHECKED: DATE:

SCALE: NOT TO SCALE SHEET 1 OF 1

DRAWING NUMBER ISSUE

572-002-420-101

1



EDAC INC  
TORONTO, ONTARIO  
CANADA

YOUR CONNECTION TO QUALITY & SERVICE

THESE DRAWINGS AND SPECIFICATIONS  
ARE THE PROPERTY OF EDAC INC. AND  
SHALL NOT BE REPRODUCED, OR COPIED  
OR USED AS THE BASIS FOR THE  
MANUFACTURE OR SALE OF APPARATUS  
WITHOUT WRITTEN PERMISSION.



THIS SERIES FULLY CONFORMS TO THE  
EUROPEAN UNION DIRECTIVES  
2011/65/EU FOR RoHS COMPLIANCY