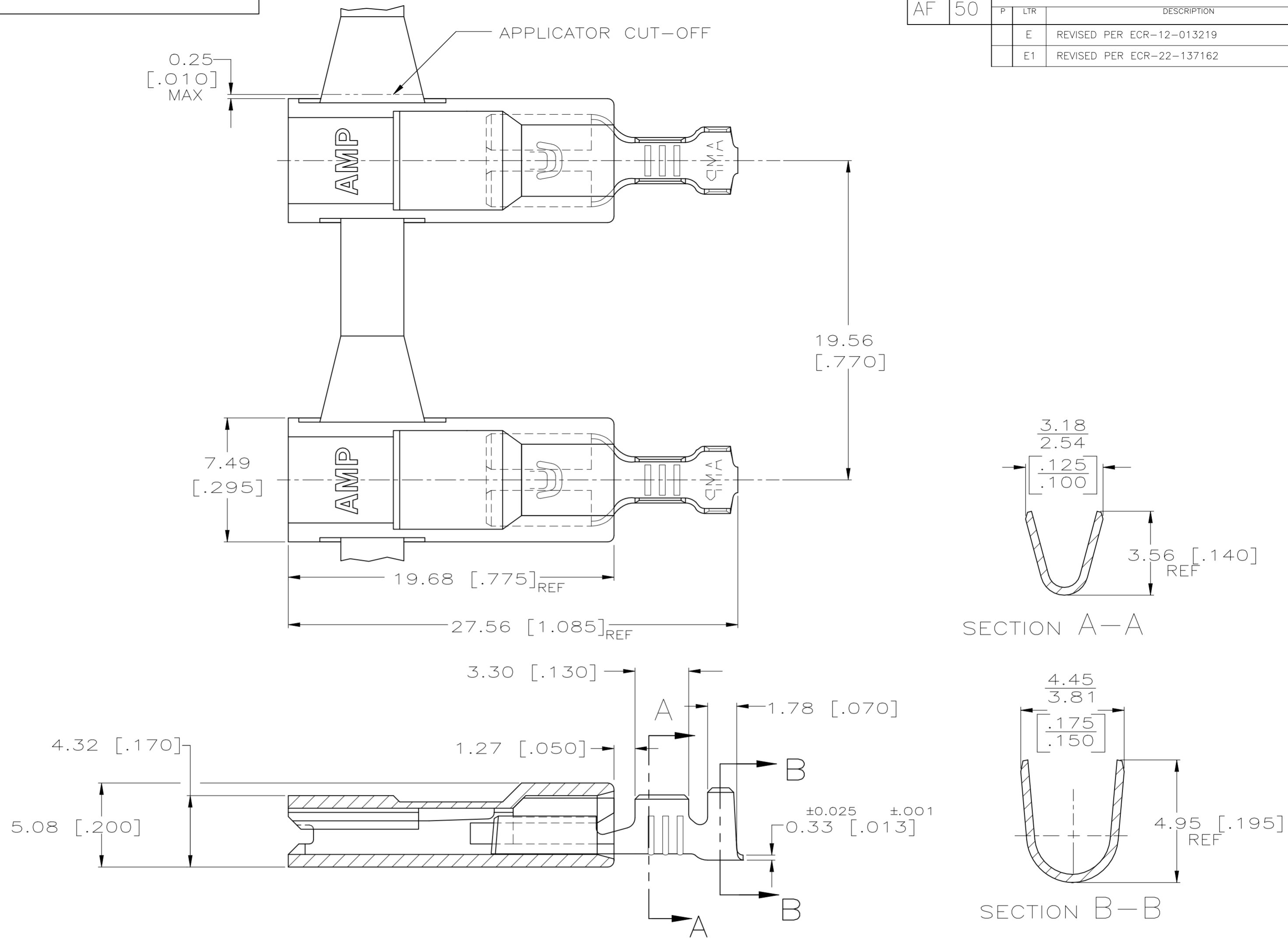


THIS DRAWING IS UNPUBLISHED. RELEASED FOR PUBLICATION
 © COPYRIGHT - By - ALL RIGHTS RESERVED.

LOC	DIST	REVISIONS					
		P	LTR	DESCRIPTION	DATE	DWN	APVD
AF	50						
		E		REVISED PER ECR-12-013219	08JAN13	KH	KR
		E1		REVISED PER ECR-22-137162	10AUG22	VA	EMS



1 FASTON TERMINALS, BASE
 P/N 63653, ARE USED IN THIS PRODUCT.

2 TIN PLATE PER MIL-T-10727
 .002032 [.000080] MIN.

3 6/6 V0 NYLON

SUPERSEDED	STANDARD	TIN	2.29-3.30	[#20-#16] AWG	0.508 [.020]	521225-2
	-STANDARD		[.090-.130] DIA			-521225-1
	PACKAGING	FINISH	INSULATION RANGE	WIRE SIZE	MATING TAB THK ±0.025 [±.001]	PART NO
THIS DRAWING IS A CONTROLLED DOCUMENT.			DWN	JR RUTH	14SEP99	STE TE Connectivity
DIMENSIONS: mm [INCHES]			CHK	MS FEHER	14SEP99	
TOLERANCES UNLESS OTHERWISE SPECIFIED:			APVD	J HUMMEL	14SEP99	
0 PLC ± - 1 PLC ± - 2 PLC ± - 3 PLC ± 0.25 [.010] 4 PLC ± - ANGLES ± -			PRODUCT SPEC			
MATERIAL			APPLICATION SPEC	114-2124	SIZE	A2
TERMINAL - BRASS			FINISH	TERMINAL - SEE TABLE	WEIGHT	-
HOUSING -			HOUSING - NATURAL		CAGE CODE	00779
CUSTOMER DRAWING				DRAWING NO	C=521225	RESTRICTED TO
				SCALE	5:1	SHEET 1 OF 1
				REV	E1	