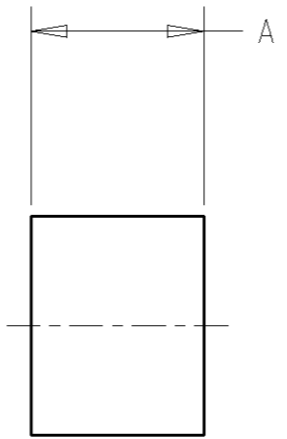
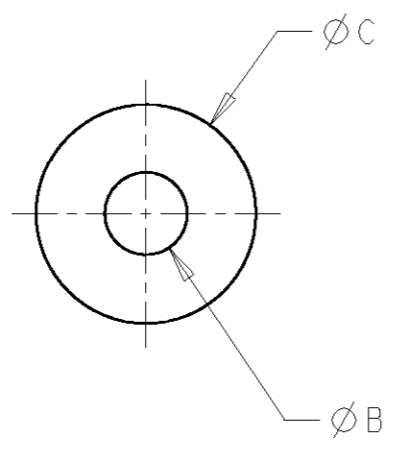
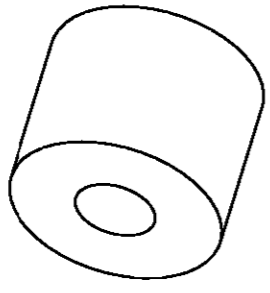


THIS DRAWING IS UNPUBLISHED. RELEASED FOR PUBLICATION 20
 © COPYRIGHT 20 BY TYCO ELECTRONICS CORPORATION. ALL RIGHTS RESERVED.

LOC	DIST	REVISIONS					
		P	LTR	DESCRIPTION	DATE	DWN	APVD
CE	16		E	REV PER 0A00-0102-02	01FEB2002	BB	LS
			F	REV PER 0A00-0559-02	24JUN2002	JWD	SB
			G	REV PER 0A00-0587-03	14APR04	KG	SB



1 BULK PACKAGED 100 PCS PER BAG.
 2 MATERIAL: P/N 983633-1.

OBSOLETE	1	3.18 [.125]	1.57 [.062]	19.00 [.75]	1-502179-3
OBSOLETE	1	2.97 [.117]	1.09 [.043]	5.59 [.22]	502179-9
OBSOLETE	1	2.97 [.117]	1.09 [.043]	36.58 [1.44]	502179-8
OBSOLETE	1	2.97 [.117]	1.09 [.043]	8.89 [.35]	502179-5
OBSOLETE		2.97 [.117]	1.09 [.043]	24.40 [1.00]	502179-4
		2.97 [.117]	1.09 [.043]	8.89 [.35]	502179-3
OBSOLETE		2.97 [.117]	1.09 [.043]	11.43 [.45]	502179-2
OBSOLETE		2.97 [.117]	1.09 [.043]	2.24 [.09]	502179-1
		ØC	ØB	A	PART NUMBER

<small>THIS DRAWING IS A CONTROLLED DOCUMENT FOR TYCO ELECTRONICS CORPORATION IT IS SUBJECT TO CHANGE AND THE CONTROLLING ENGINEERING ORGANIZATION SHOULD BE CONTACTED FOR THE LATEST REVISION.</small>		DWN B. BRIGGS 31OCT2001 CHR L. SAUERWEIN 31OCT2001 APVD B. EDWARDS 31OCT2001	AMP Tyco Electronics Harrisburg, PA 17105-3608
DIMENSIONS: mm [INCHES]	TOLERANCES UNLESS OTHERWISE SPECIFIED:	PRODUCT SPEC - APPLICATION SPEC - WEIGHT -	NAME TYGON TUBING - - SIZE CAGE CODE DRAWING NO RESTRICTED TO A3 00779 C-502179 -
MATERIAL - 2	FINISH -	CUSTOMER DRAWING	SCALE 10:1 SHEET 1 OF 1 REV G