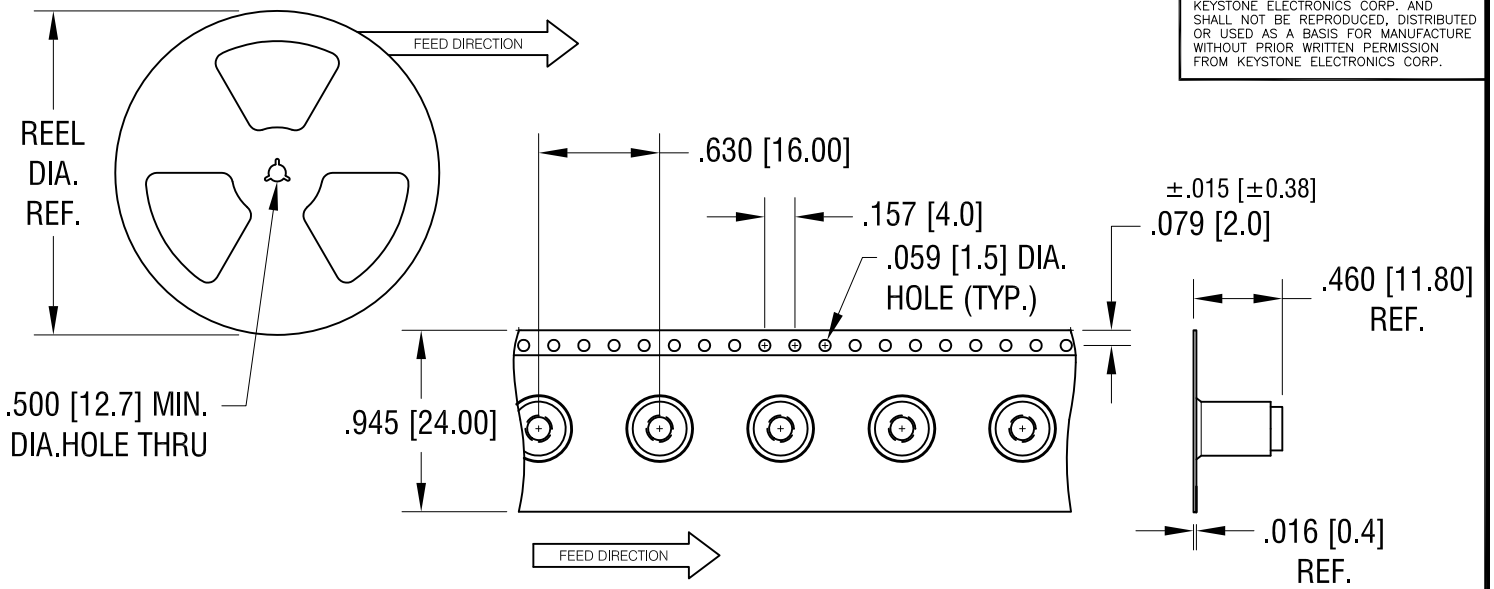
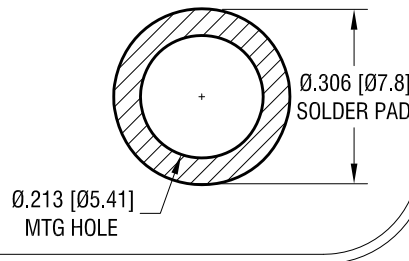


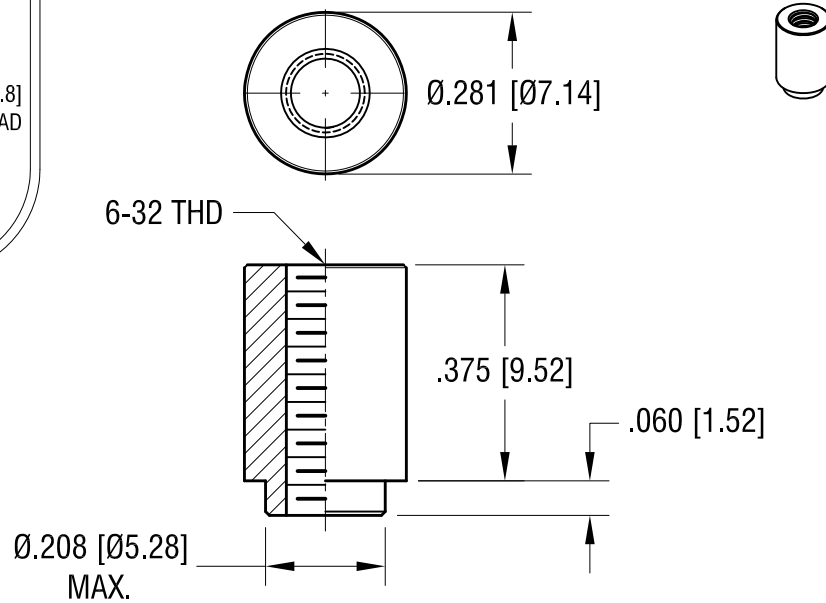
THIS DOCUMENT IS THE PROPERTY OF KEYSTONE ELECTRONICS CORP. AND SHALL NOT BE REPRODUCED, DISTRIBUTED OR USED AS A BASIS FOR MANUFACTURE WITHOUT PRIOR WRITTEN PERMISSION FROM KEYSTONE ELECTRONICS CORP.



MOUNTING DETAIL



ACTUAL SIZE



NOTES:

- 1. SUPPLIED ON TAPE AND REEL ONLY.
 TAPE AND REEL SPECIFICATIONS:
- 2. TAPE:
 MAT'L - ALL CONDUCTIVE POLYSTYRENE CARRIER
 ANSI/EIA-481 STANDARD
- 3. REEL:
 13" [330.2] DIA. 300 PIECES PER REEL
- 4. KAPTON TAPE ADDED TO TOP SURFACE OF STANDOFF

KEYSTONE ELECTRONICS CORP.

www.keyelco.com • ASTORIA, N.Y. 11105-2017 • Tel (718) 956-8900

PART NAME	SM STANDOFF		
MATERIAL	STEEL		
FINISH ELECTRO-TIN	DRN BY	NT	DATE 4.11.16
	APP'D	RH	SCALE 3X, 1X
TOLERANCES	INCH	[MM]	CODE
DECIMAL	± .005 [± 0.13]		C
ANGULAR		± 1°	DWG NO.
UNLESS OTHERWISE SPECIFIED			4894

8.15.17	CHANGE AS PER ECN 17-053	A
DATE	DESCRIPTION	REV.