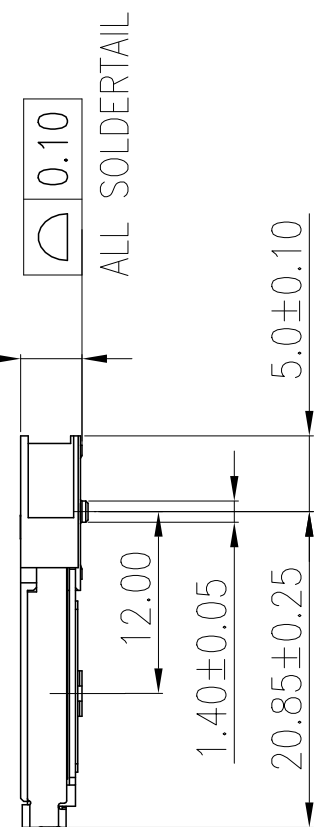
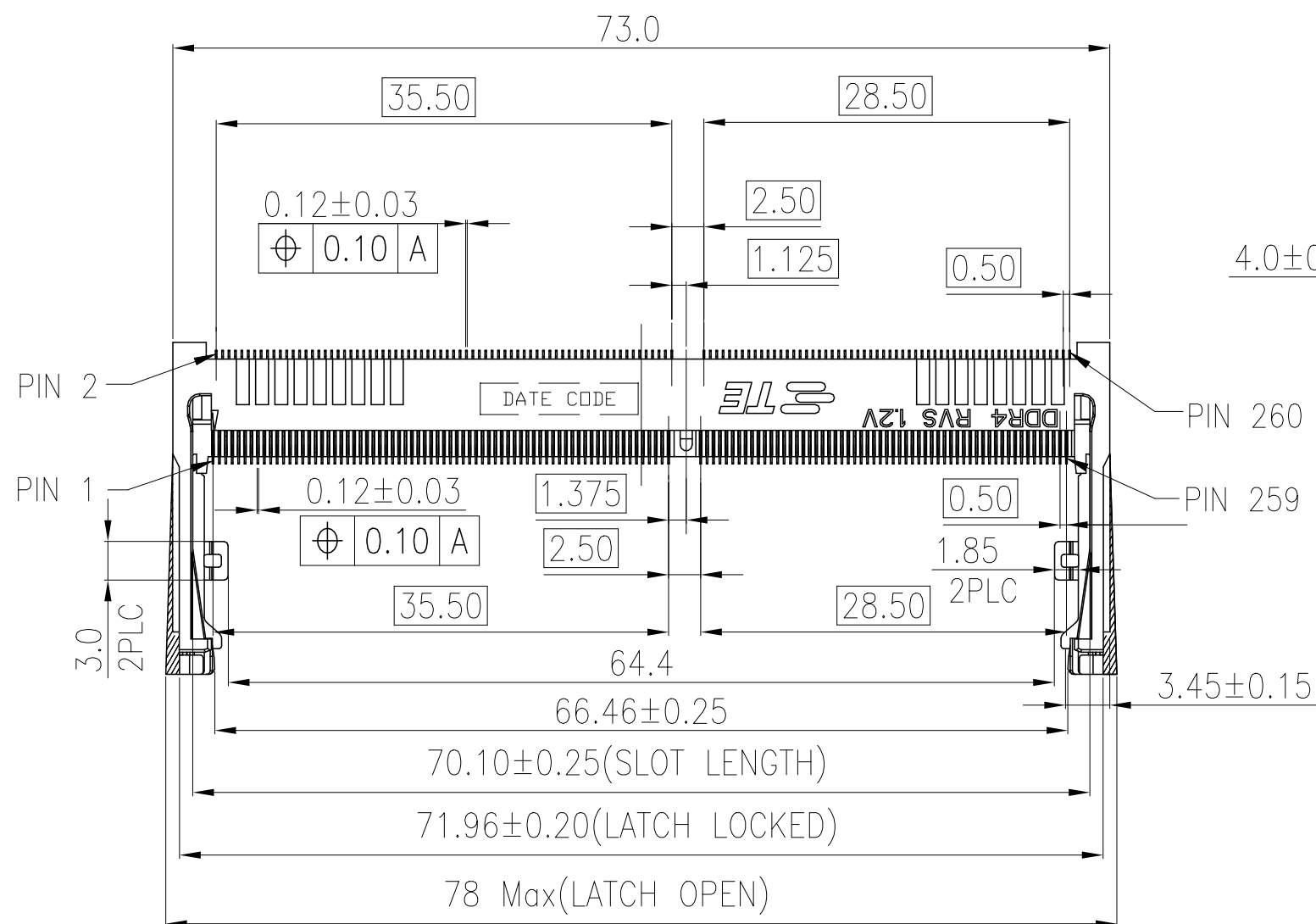
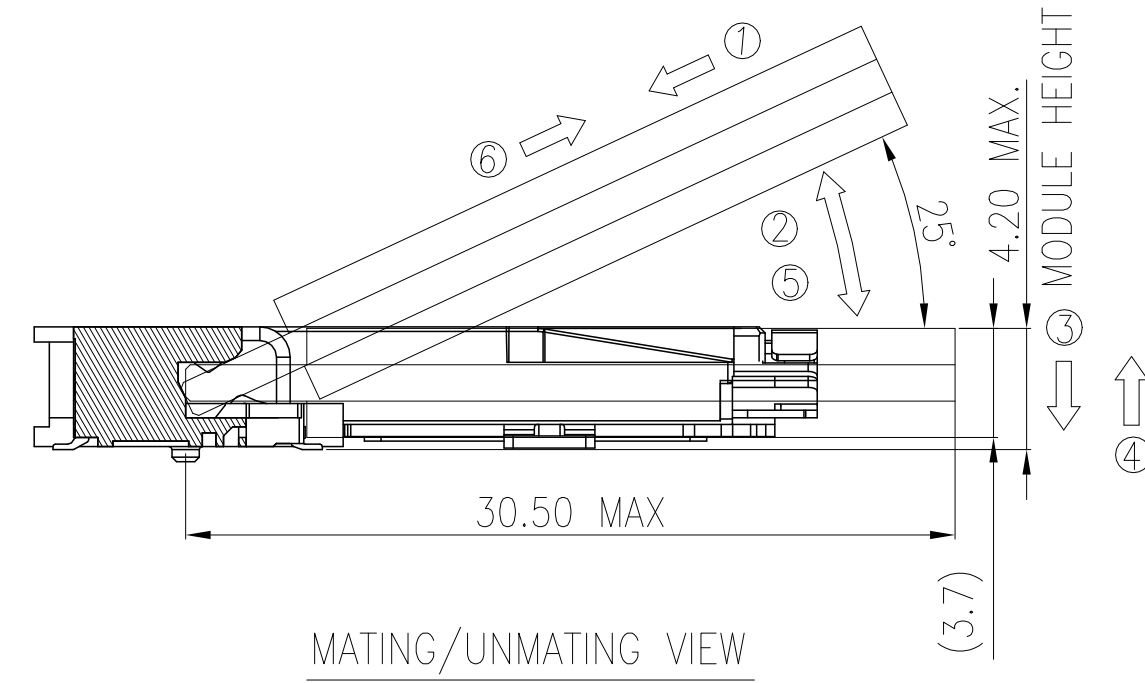
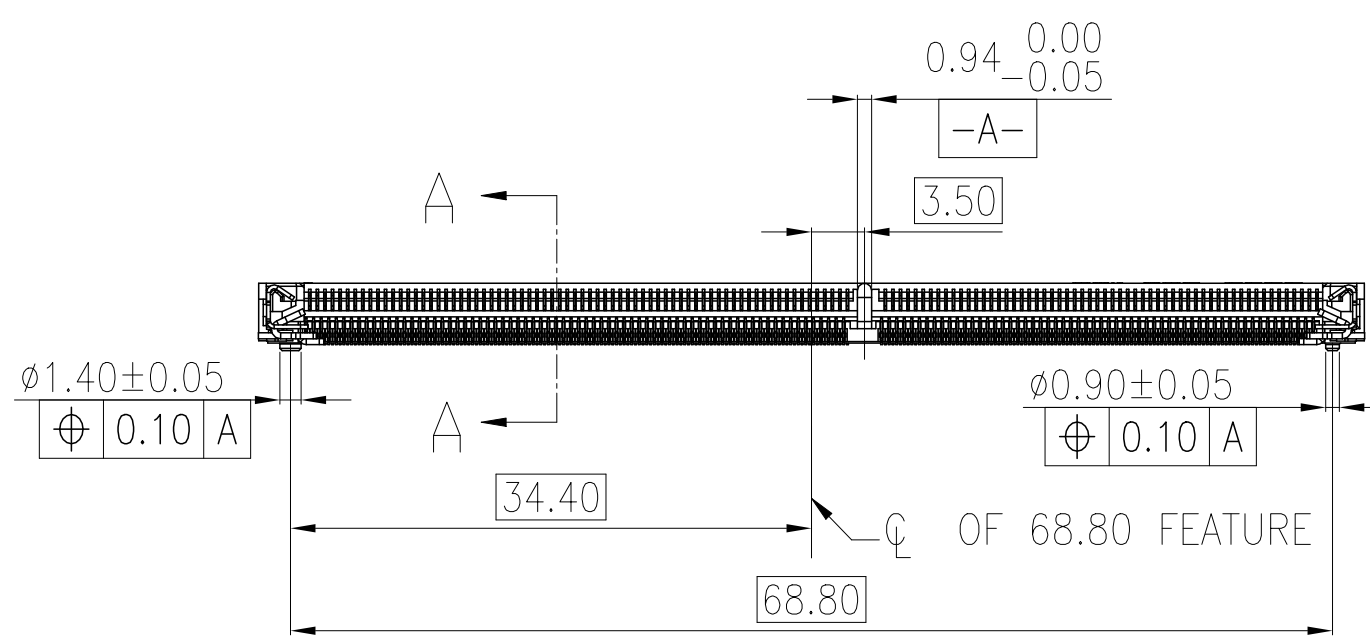


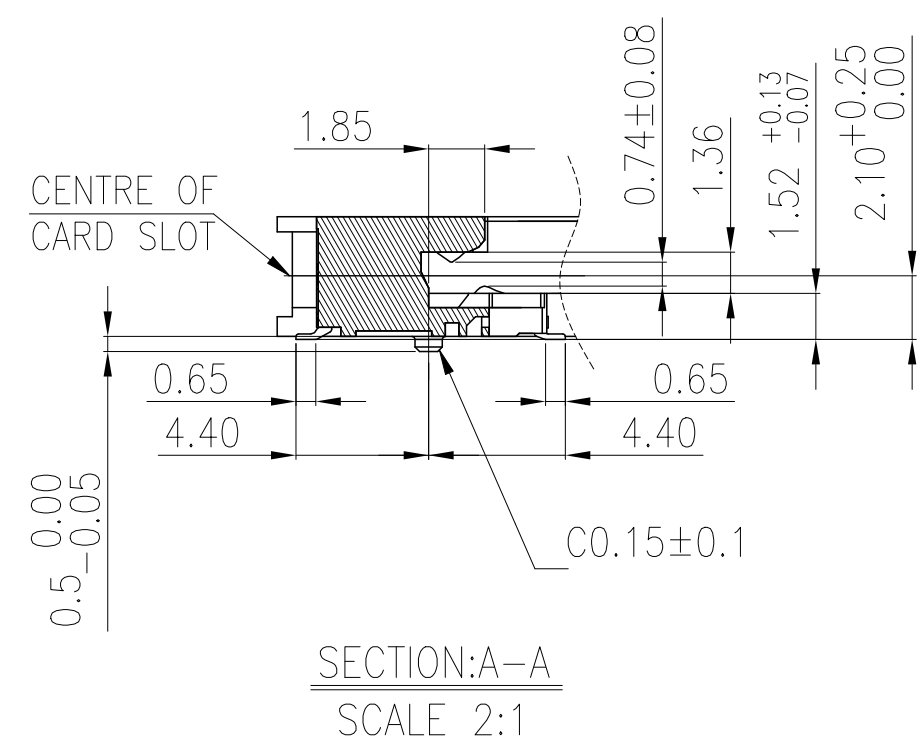
REVISIONS					
P	LTR	DESCRIPTION	DATE	OWN	APVD
5		ADD NEW PN	30NOV2022	SS	NS



- NOTES:
- MATERIAL:
 - HOUSING: HIGH TEMPERATURE THERMO PLASTIC, UL94V-0, COLOR: BLACK.
 - CONTACT: COPPER ALLOY.
 - SOLDER PEG AND LATCH: STAINLESS STEEL.
 - FINISH:
 - SOLDER PEG: GOLD FLASH ON 50u" MIN NICKEL UNDERPLATED ALL OVER.
 - CONTACT SOLDER AREA: GOLD FLASH ON SOLDER TAIL.
 - CONTACT AREA: GOLD FLASH ON 50u" MIN NICKEL UNDERPLATED ALL OVER.
 - CONTACT AREA: 5u" ON 50u" MIN NICKEL UNDERPLATED ALL OVER.
 - CONTACT AREA: 10u" ON 50u" MIN NICKEL UNDERPLATED ALL OVER.
 - CONTACT AREA: 15u" ON 50u" MIN NICKEL UNDERPLATED ALL OVER.
 - CONTACT AREA: 30u" ON 50u" MIN NICKEL UNDERPLATED ALL OVER.
 - COPLANARITY: 0.10 MAX. (BEFORE SOLDERING)



MATING: ① INSERTING (25°) → ② ROTATING → ③ FIXED
 UNMATING: ④ UNFIXED → ⑤ ROTATING → ⑥ WITHDRAWING

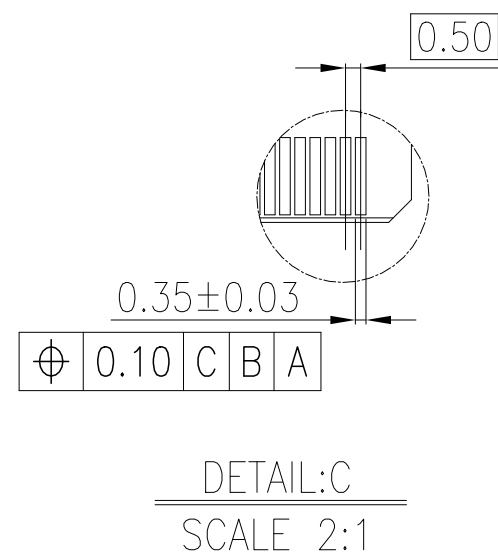
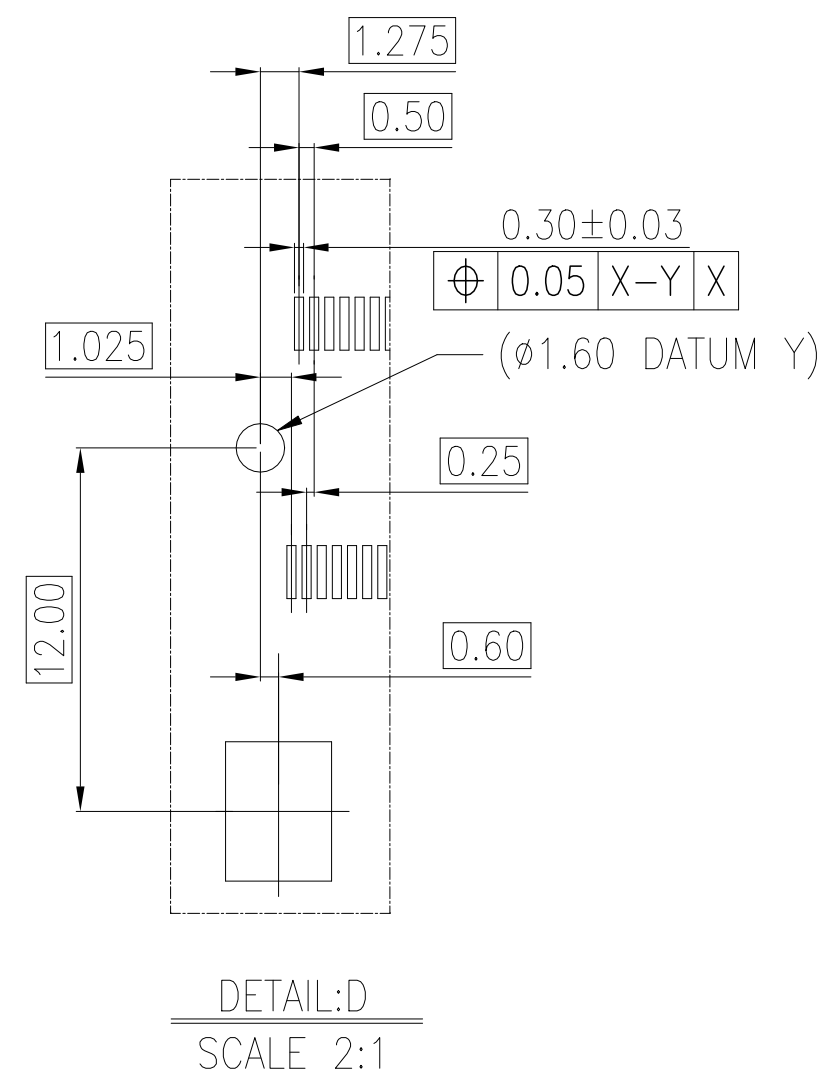
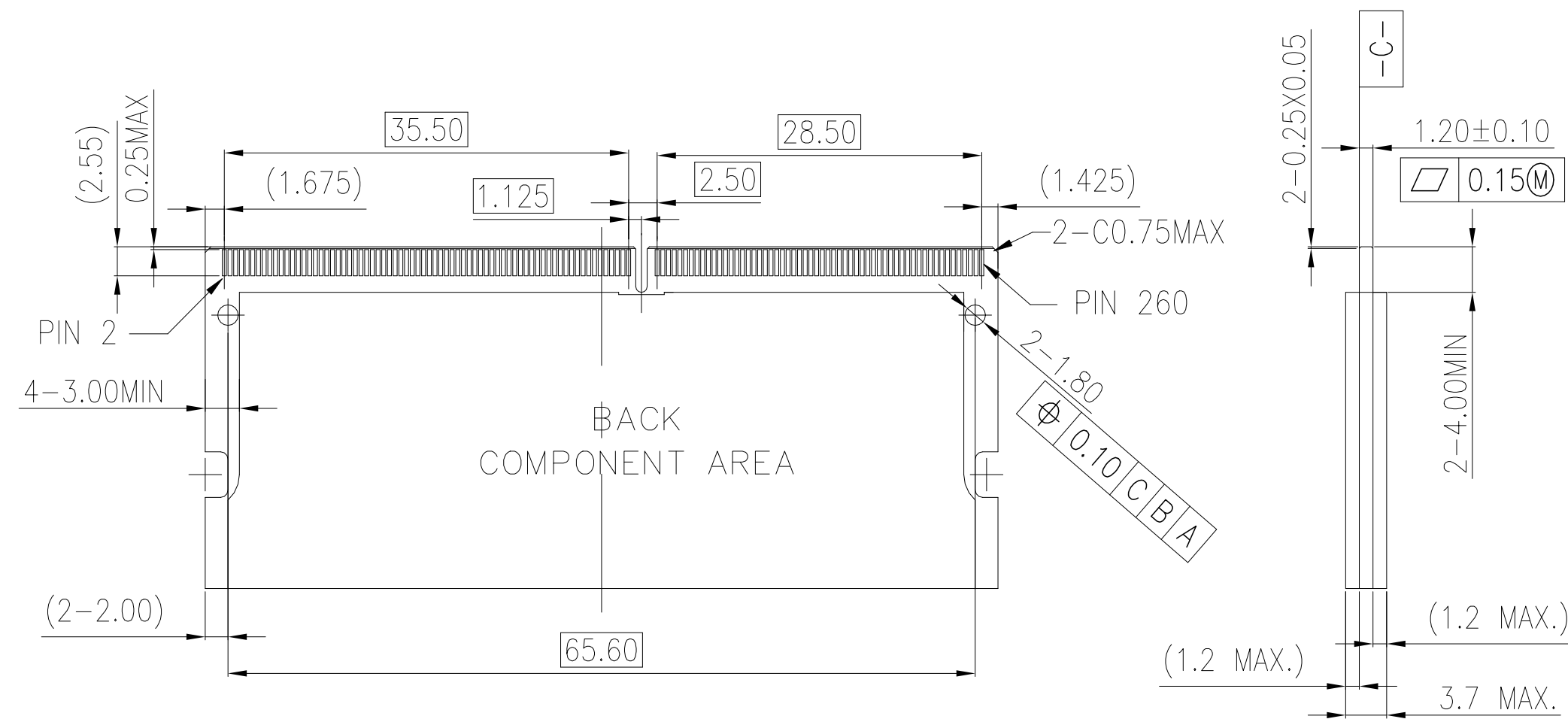
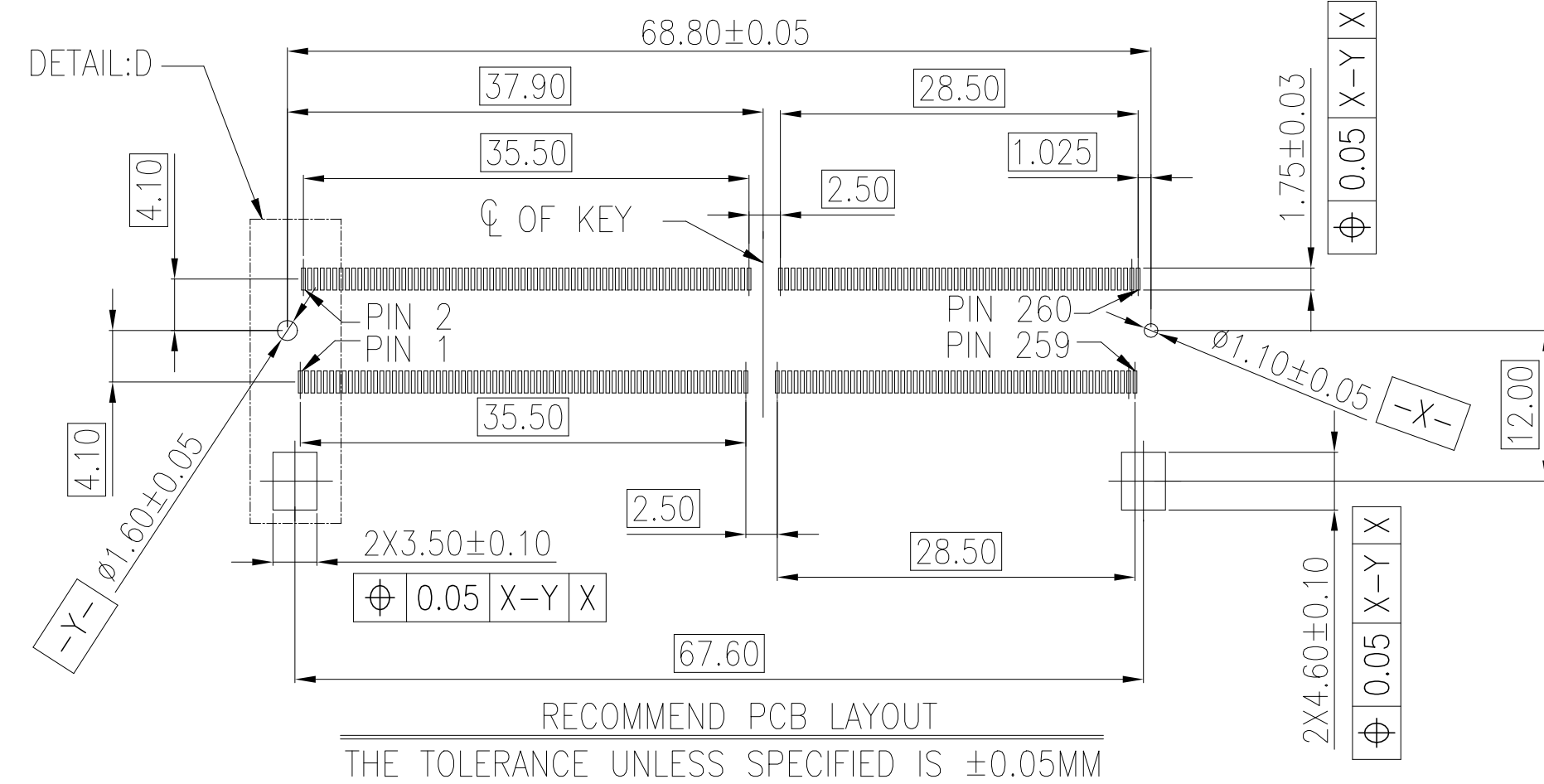
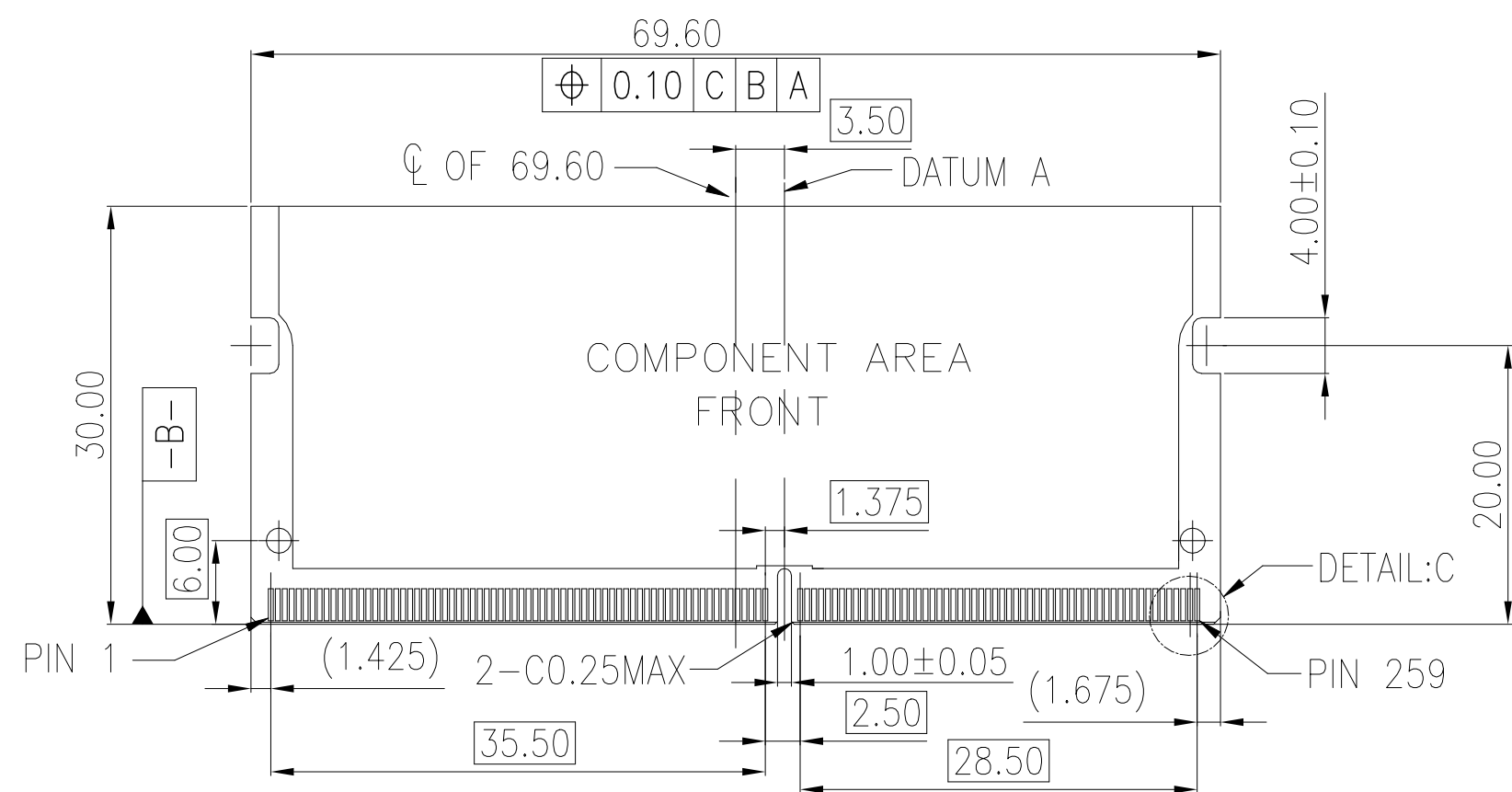


SECTION: A-A
SCALE 2:1

TAPE&REEL	HOUSING COLOR	POWER SUPPLY	FINISH	POS	PART NO.
BLACK	BLACK	1.2V	10u"	260	1-2309408-3
BLACK	BLACK	1.2V	30u"	260	2309408-5
BLACK	BLACK	1.2V	15u"	260	2309408-4
BLACK	BLACK	1.2V	10u"	260	2309408-3
BLACK	BLACK	1.2V	5u"	260	2309408-2
BLACK	BLACK	1.2V	GF	260	2309408-1

THIS DRAWING IS A CONTROLLED DOCUMENT.		DWN DAVID ZHAO 09SEP2016	TE TE Connectivity	
DIMENSIONS: mm		CHK RICHARD MA 09SEP2016		
TOLERANCES UNLESS OTHERWISE SPECIFIED:		APVD SIMON LI 09SEP2016	NAME	
0 PLC ± -	1 PLC ± 0.25	PRODUCT SPEC		DDR4 SODIMM SOCKET
2 PLC ± 0.15	3 PLC ± 0.10	APPLICATION SPEC		0.5mm PITCH 260POS
4 PLC ± -	ANGLES ± -	FINISH		4.0mm HEIGHT REVERSE TYPE
MATERIAL		WEIGHT -	SIZE A2	CAGE CODE 00779
		DRAWING NO		RESTRICTED TO
		CUSTOMER DRAWING		SCALE 1:1
		SHEET 1 of 3		REV 5

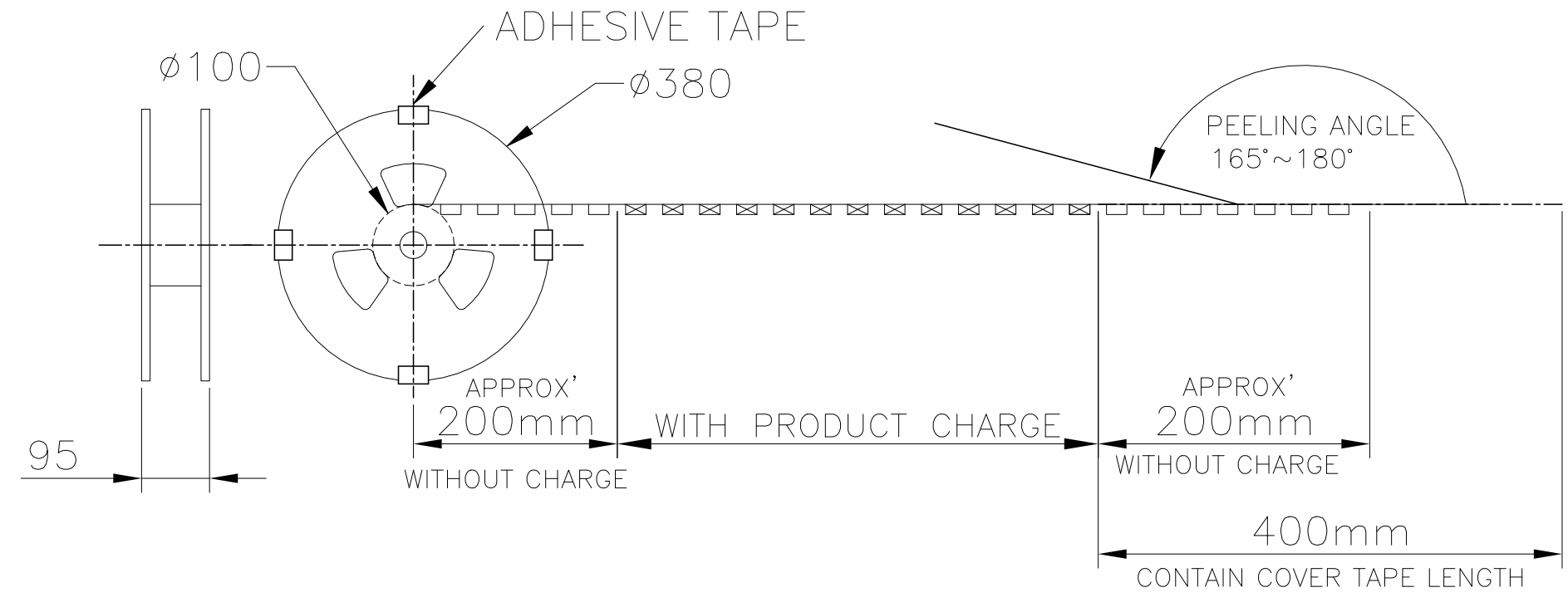
REVISIONS					
P	LTR	DESCRIPTION	DATE	OWN	APVD
-	-	-	-	-	-



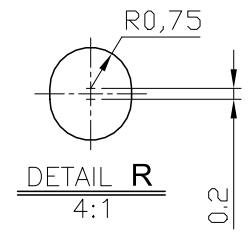
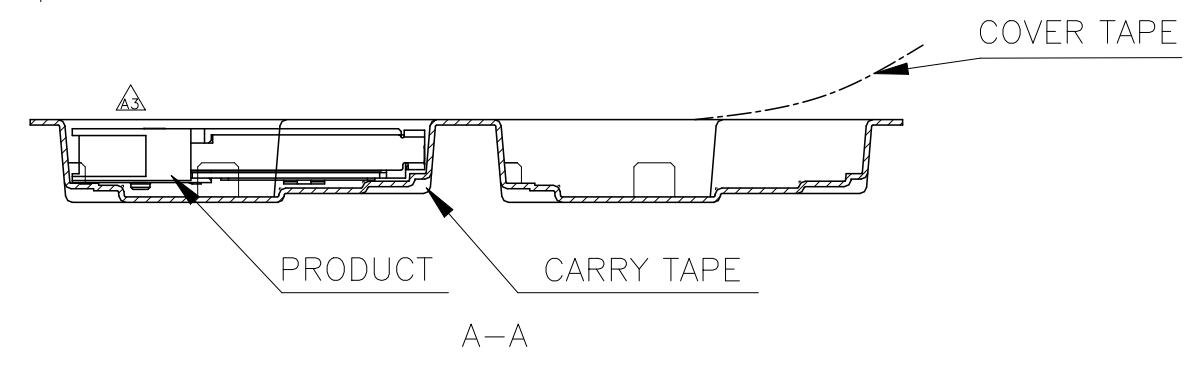
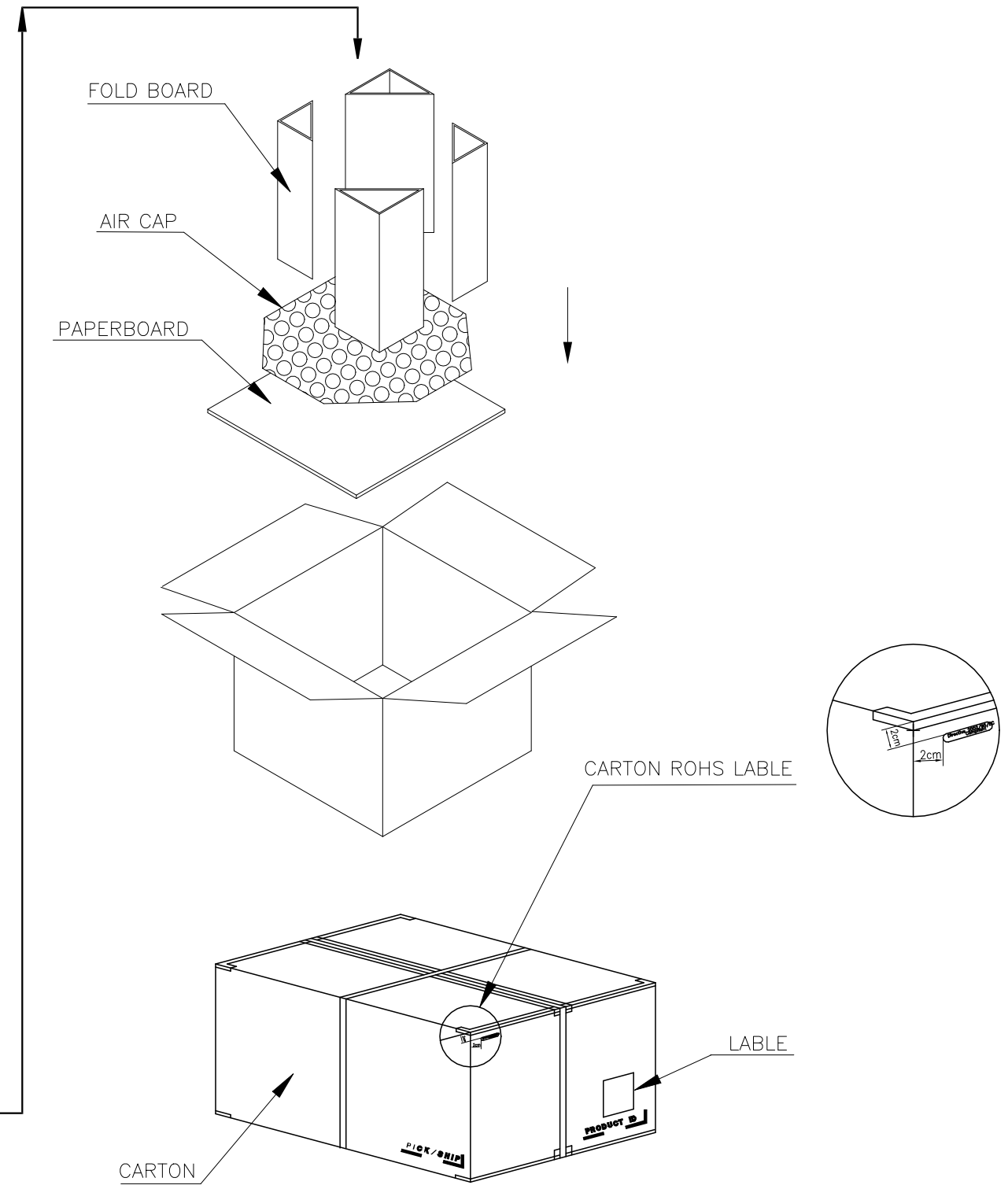
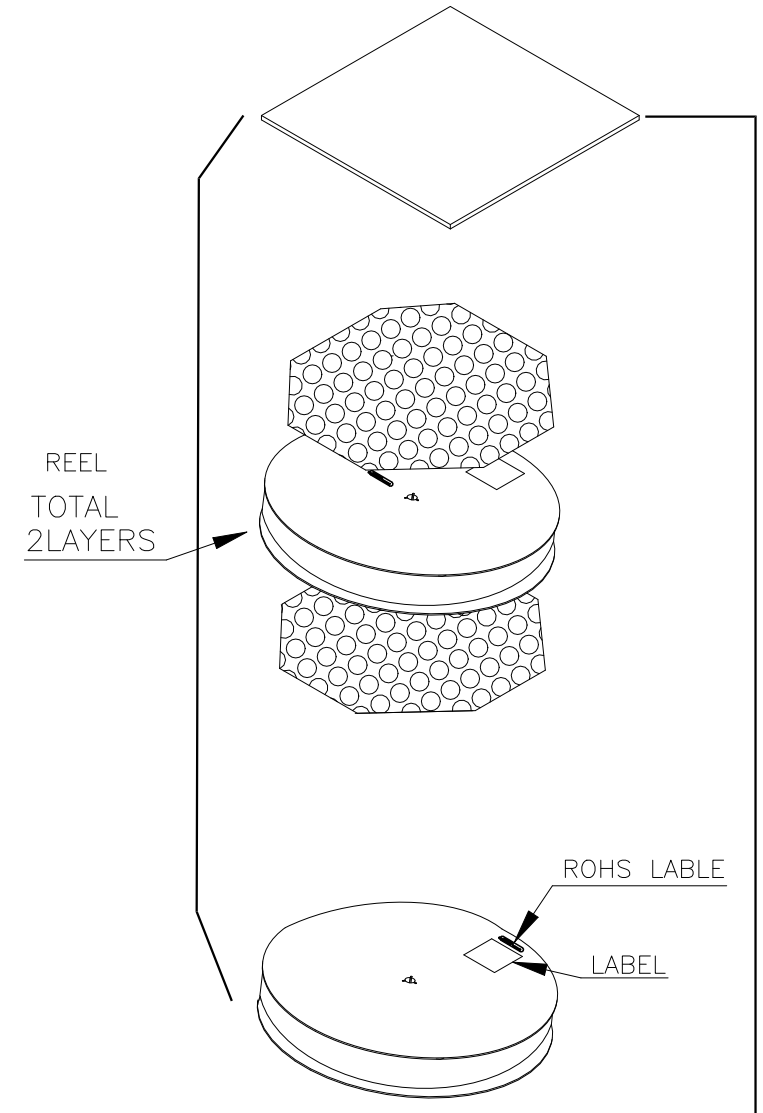
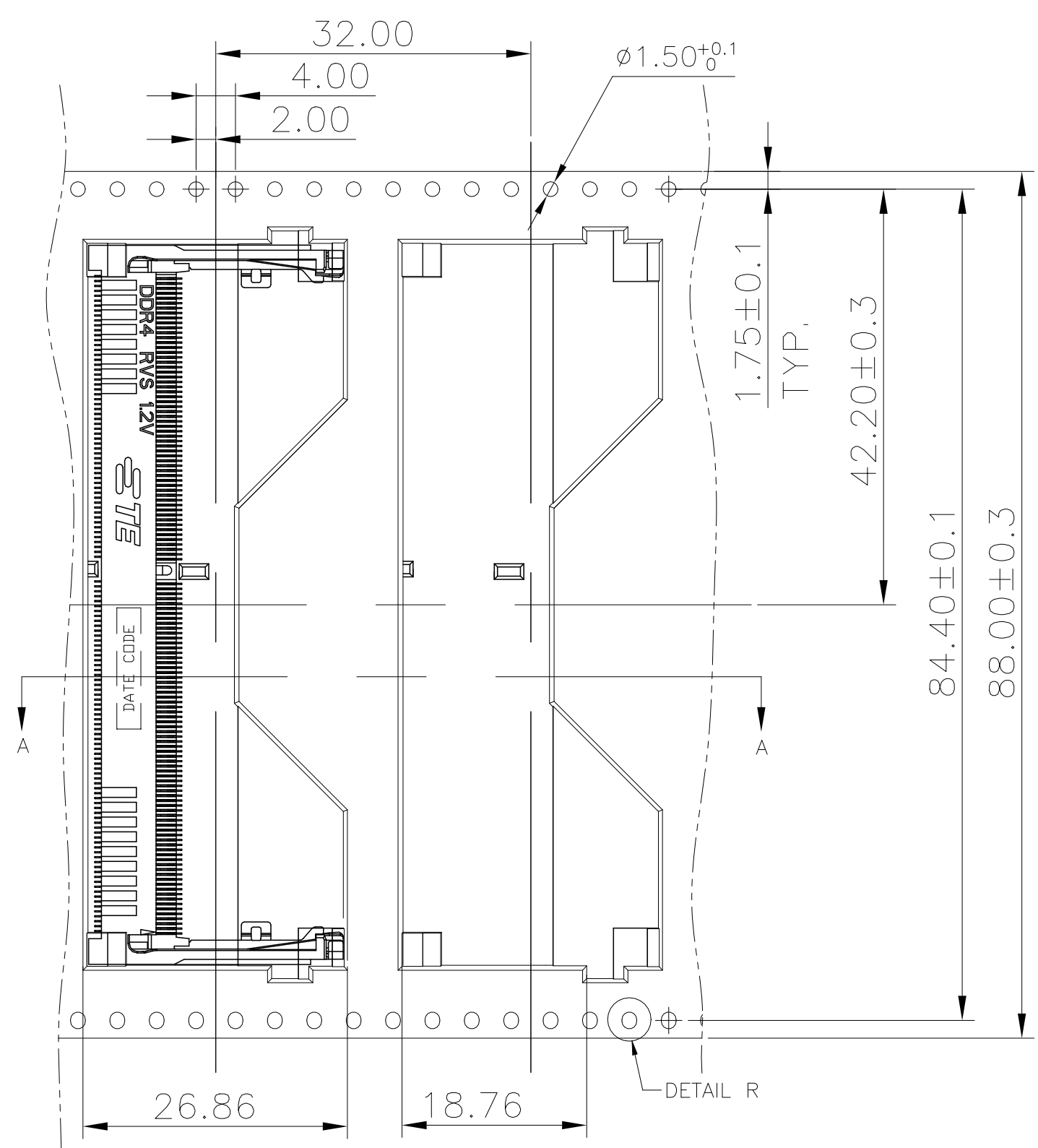
THIS DRAWING IS A CONTROLLED DOCUMENT.		OWN DAVID ZHAO 09SEP2016	TE Connectivity	
DIMENSIONS: mm		CHK RICHARD MA 09SEP2016		
TOLERANCES UNLESS OTHERWISE SPECIFIED:		APVD SIMON LI 09SEP2016	NAME	
0 PLC ±	1 PLC ±	PRODUCT SPEC	DDR4 SODIMM SOCKET	
2 PLC ±	3 PLC ±	APPLICATION SPEC	0.5mm PITCH 260POS	
4 PLC ±	ANGLES ±	WEIGHT	SIZE A2	CAGE CODE 00779
FINISH		CUSTOMER DRAWING	DRAWING NO. C=2309408	RESTRICTED TO
		SCALE 1:1	SHEET 2 OF 3	REV 5

THIS DRAWING IS UNPUBLISHED. RELEASED FOR PUBLICATION
 © COPYRIGHT 2016 By TE connectivity ALL RIGHTS RESERVED.

REVISIONS					
P	LTR	DESCRIPTION	DATE	DWN	APVD
-	-		-	-	-



PULL OUT DIRECTION →



450	2	900	*-2309408-*
PCS/REEL	REEL/CARTON	PCS/CARTON	PART NUMBER

THIS DRAWING IS A CONTROLLED DOCUMENT.		DWN DAVID ZHAO 09SEP2016	 TE Connectivity
DIMENSIONS: mm		CHK RICHARD MA 09SEP2016	
TOLERANCES UNLESS OTHERWISE SPECIFIED:		APVD SIMON LI 09SEP2016	
0 PLC ± 1 PLC ± 2 PLC ± 3 PLC ± 4 PLC ± ANGLES ± FINISH ±		NAME PRODUCT SPEC APPLICATION SPEC WEIGHT	
MATERIAL		SIZE A2	CAGE CODE 00779
		DRAWING NO C=2309408	RESTRICTED TO
		CUSTOMER DRAWING	SCALE - SHEET 3 of 3 REV 5