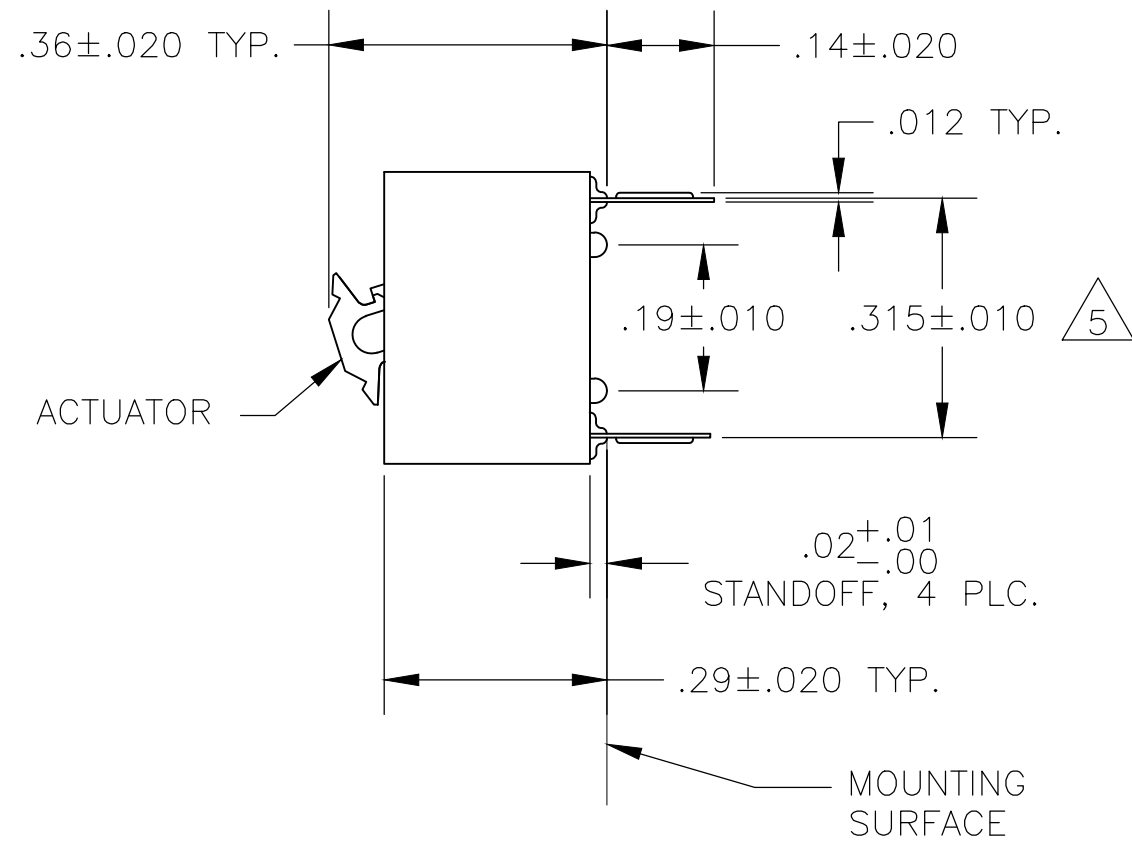
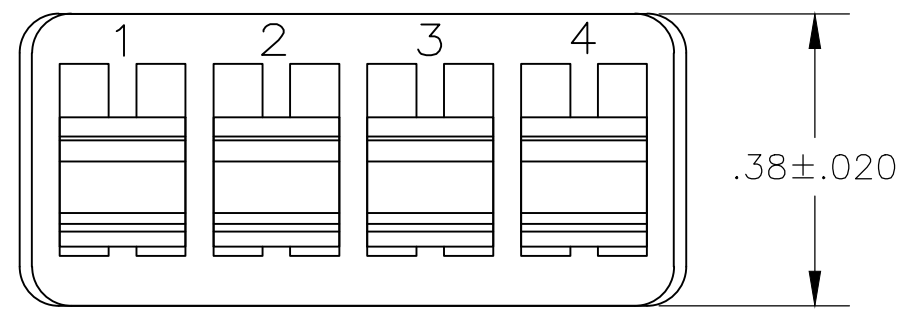


REVISIONS					
P	LTR	DESCRIPTION	DATE	DWN	APVD
AF		ECO-20-004897	24AUG2020	SB	JB



- FOR ADDITIONAL SPECIFICATIONS SEE AMP PRODUCT SPEC 108-7519.
  - SWITCH SHOWN IN OPEN POSITION.
  - ALL CHARACTERS AND ROCKERS ARE WHITE, HOUSING IS BLACK.
  - LASER MARK WILL VARY ON 2 POSITION SIDES DUE TO SPACE RESTRICTIONS.
- △5 .315 DIMENSION APPLIES AT TERMINAL TIPS.  
TERMINALS ARE .300<sup>+.010</sup>-.000 AT MOUNTING SURFACE.
- △6 ACTUATOR COLOR IS BLUE.
- △7 ALL MATERIALS AND FINISHES SHALL COMPLY WITH EU DIRECTIVE 2002/95/EC OF 27JAN2003 (ROHS)
- △8 OBSOLETE PARTS: OBSOLETE CIS STREAMLINING PER D.RENAUD/D.SINISI
- 9 MARKS WILL BE ADDED BY LASER MARK PROCESS.

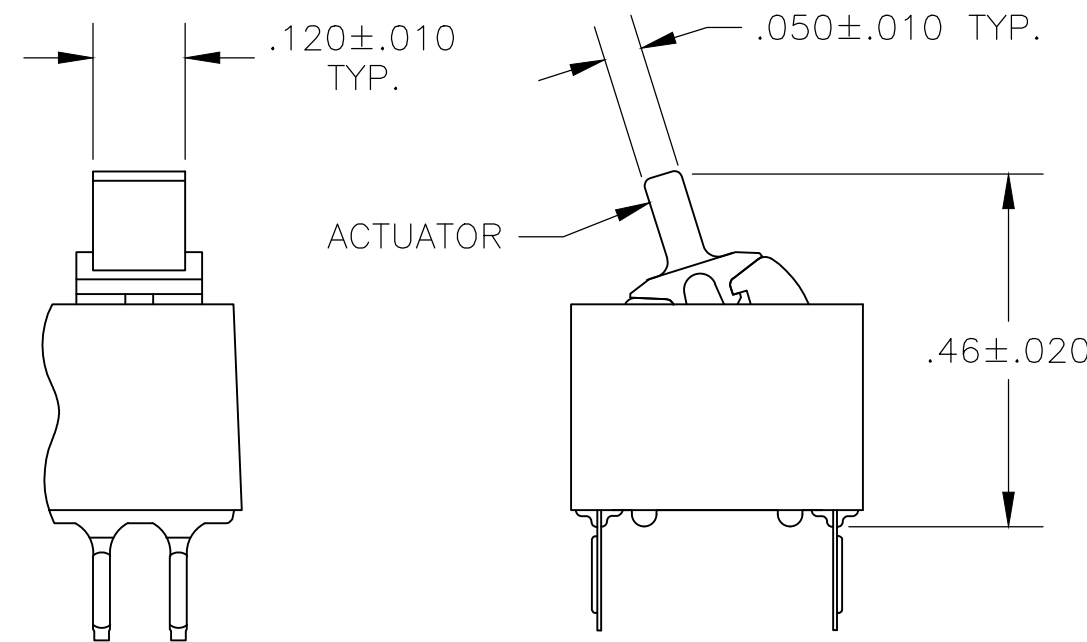
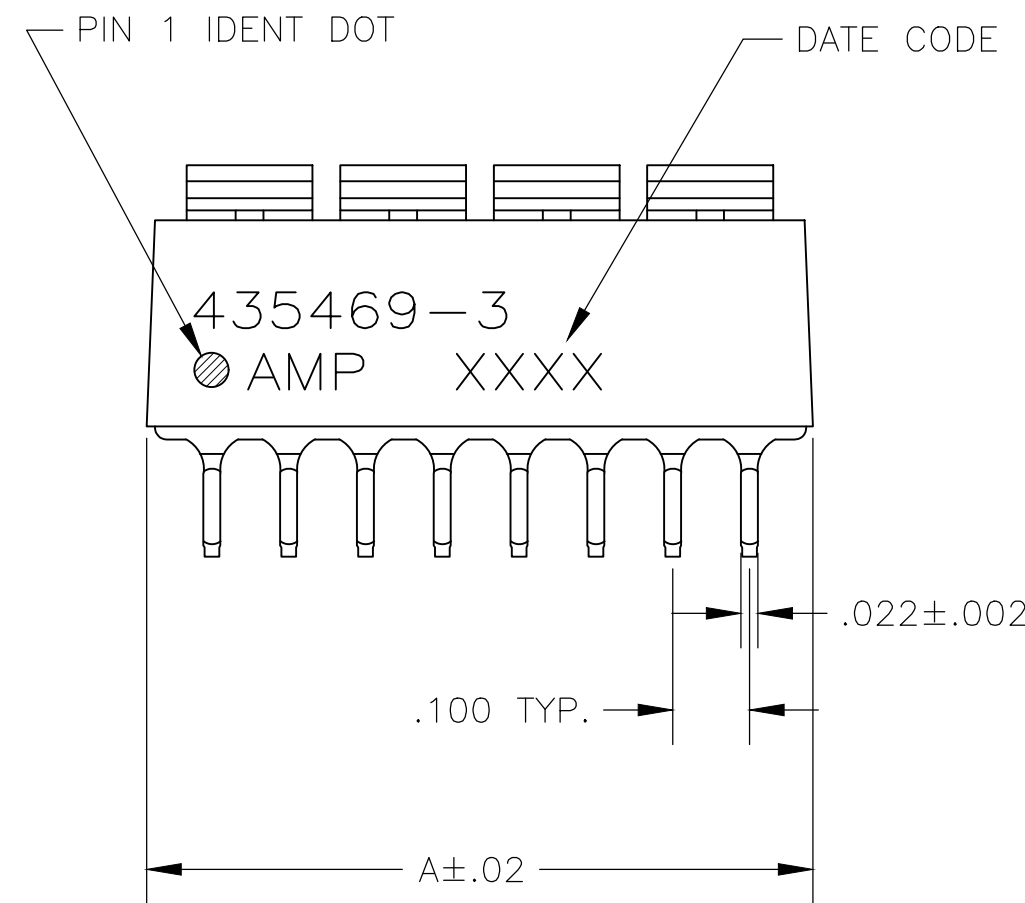


FIGURE 1 LEVER ACTUATOR SHOWN

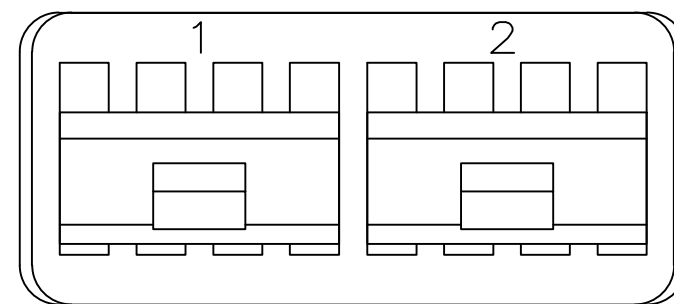
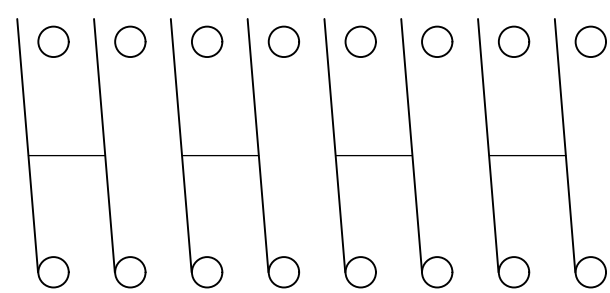
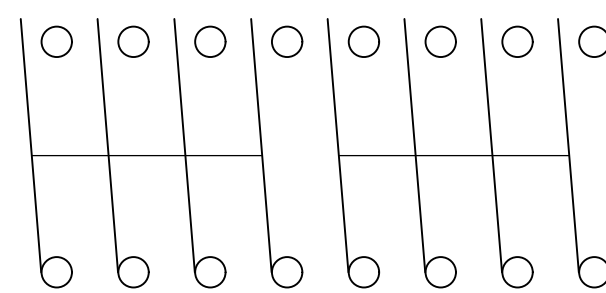


FIGURE 2



DPST



4PST

CONTACT ARRANGEMENT

MARKING	ACTUATOR	TOP MARKING	A	SWITCH TYPE	NO OF POSN.	PART NO.
△7△8	OBSOLETE	AS SHOWN	NONE	.28 DPST	2	8-435469-4
△7	AS SHOWN	FIG 1	NONE	.48 4PST	4	8-435469-1
△8△7	OBSOLETE	AS SHOWN	NONE	1.28 DPST	12	7-435469-6
△8△7	OBSOLETE	AS SHOWN	NONE	1.08 DPST	10	7-435469-5
△8△7	OBSOLETE	AS SHOWN	NONE	.88 DPST	8	7-435469-4
△8△7	OBSOLETE	AS SHOWN	NONE	.68 DPST	6	7-435469-3
△8△7	OBSOLETE	AS SHOWN	NONE	.48 DPST	4	7-435469-2
△8△7	OBSOLETE	AS SHOWN	NONE	.28 DPST	2	7-435469-1
△8△7	OBSOLETE	AS SHOWN	NONE	.28 DPST	2	5-435469-9
△8△7	OBSOLETE	AS SHOWN	NONE	.48 4PST	4	5-435469-7
△8△7	OBSOLETE	AS SHOWN	AS SHOWN	.88 DPST	8	5-435469-3
△8△7	OBSOLETE	AS SHOWN	NONE	.28 DPST	2	3-435469-4
△8△7	OBSOLETE	AS SHOWN	FIG 2	.88 4PST	8	3-435469-2
△8△7	OBSOLETE	AS SHOWN	NONE	.48 4PST	4	3-435469-1
△8	OBSOLETE	AS SHOWN	AS SHOWN	1.28 DPST	12	2-435469-6
△8	OBSOLETE	AS SHOWN	AS SHOWN	1.08 DPST	10	2-435469-5
△8	OBSOLETE	AS SHOWN	AS SHOWN	.88 DPST	8	2-435469-4
△8	OBSOLETE	AS SHOWN	AS SHOWN	.68 DPST	6	2-435469-3
△8	OBSOLETE	AS SHOWN	AS SHOWN	.48 DPST	4	2-435469-2
△8	OBSOLETE	AS SHOWN	NONE	.28 DPST	2	2-435469-1
△8	OBSOLETE	AS SHOWN	AS SHOWN	1.28 DPST	12	1-435469-0
△8	OBSOLETE	AS SHOWN	NONE	.28 DPST	2	435469-9
△8	OBSOLETE	AS SHOWN	NONE	.48 4PST	4	435469-7
△8	OBSOLETE	AS SHOWN	FIG 2	.88 4PST	8	435469-6
△8	OBSOLETE	AS SHOWN	AS SHOWN	1.08 DPST	10	435469-4
△8	OBSOLETE	AS SHOWN	AS SHOWN	.88 DPST	8	435469-3
△8	OBSOLETE	AS SHOWN	AS SHOWN	.68 DPST	6	435469-2
△8	OBSOLETE	AS SHOWN	AS SHOWN	.48 DPST	4	435469-1

SUPERSEDED BY 2-435469-6

THIS DRAWING IS A CONTROLLED DOCUMENT.		DWN R.TALLEY 3-15-90	TE Connectivity	
DIMENSIONS: INCHES		CHK R.MILLER 3-27-90	SWITCH ASSY, DIP, TYPE C, 7000 SERIES, DPST & 4PST	
TOLERANCES UNLESS OTHERWISE SPECIFIED:		APVD H.LEITER 3-27-90	DRAWING NO. C=435469	
0 PLC ± -		PRODUCT SPEC	RESTRICTED TO	
1 PLC ± -		APPLICATION SPEC	SCALE 4:1 SHEET 1 OF 1 REV AF	
2 PLC ± -		FINISH	CUSTOMER DRAWING	
3 PLC ± .005		CONTACTS: PLATED .000030 MIN. GOLD IN CONTACT AREA OVER .000050 MIN. NICKEL		
4 PLC ± -		CONTACTS: BERYLLIUM COPPER		
ANGLES ± -		WEIGHT -		