

MICRO SWITCH
 FREEPORT ILLINOIS U S A
 A DIVISION OF HONEYWELL
 FED MFG CODE 81928

SWITCH-TOGGLE
ABOVE PANEL MOUNT

CATALOG LISTING
1TP216 SERIES
CHART 1

THIS DRAWING COVERS A PROPRIETARY ITEM AND IS THE PROPERTY OF MICRO SWITCH, A DIVISION OF HONEYWELL. THIS DRAWING IS NOT TO BE COPIED OR USED WITHOUT THE APPROVAL OF MICRO SWITCH.

1TP216 SERIES
 PAGE 1 OF 1
 CHART 1

M

DRAWING
 NUMBER

ISSUE

REVISIONS

A	C056164	J A P	6 MAR 85
B	C057712	J A P	6 DEC 85
C	C059943	J A P	23 JUL 86
D	C077697	TSM	15 JUN 94
E	20-94411	LJK	24 NOV 99

RELEASE NO. PR-10585

CHECK

CHECK

23 JAN 82

CHECK

CHECK

25 FEB 82

CHECK

CHECK

26 OCT 81

CHECK

CHECK

25 FEB 82

CHECK

CHECK

26 OCT 81

CHECK

CHECK

26 OCT 81

CHECK

CHECK

26 OCT 81

CHECK

CHECK

26 OCT 81

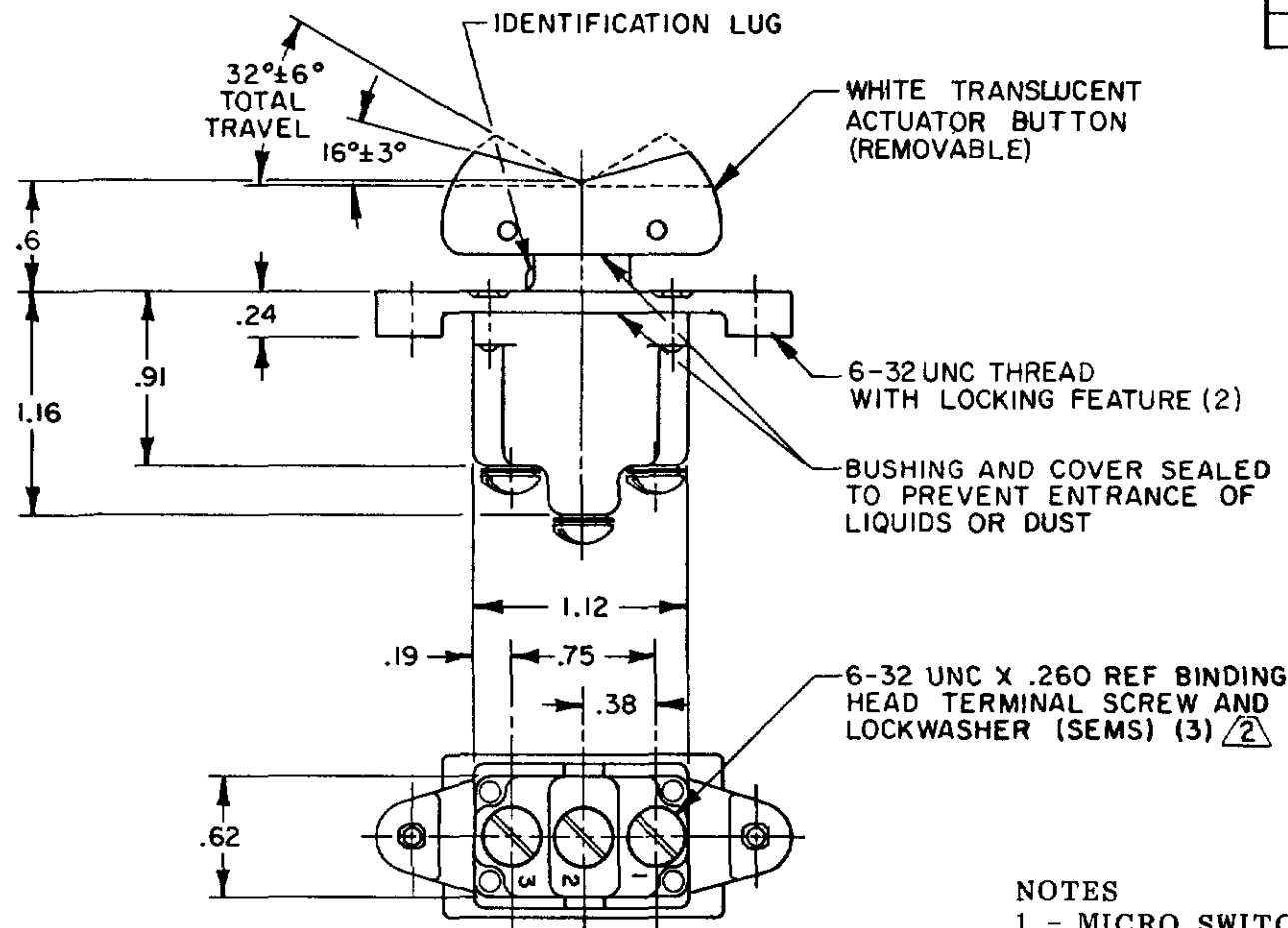
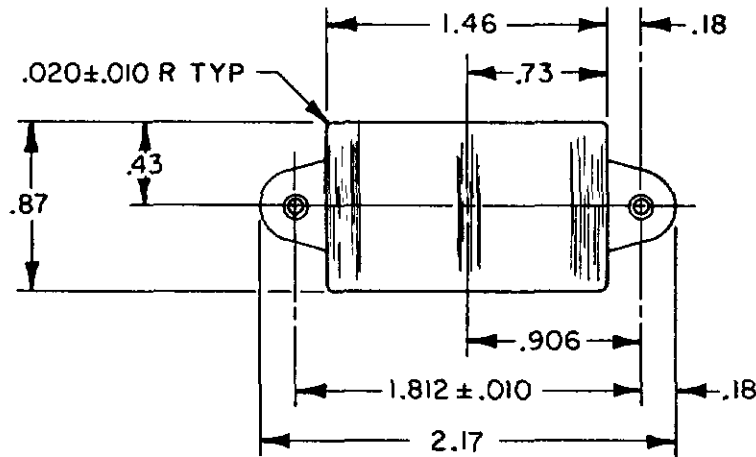
CHECK

CHECK

26 OCT 81

CHECK

CHECK



CATALOG LISTING	CIRCUIT MADE WITH BUTTON DEPRESSED ON		
	LUG SIDE (1-2)	CENTER (1-2)	OPPOSITE LUG (2-3)
ITP216-1	ON	OFF	ON
ITP216-2	OFF	NONE	ON
ITP216-3	ON	NONE	ON
ITP216-2I	NONE	OFF	ON
ITP216-3I	NONE	ON	ON
ITP216-4	MOM OFF	NONE	ON
ITP216-5	MOM ON	OFF	ON
ITP216-6	MOM ON	NONE	OFF
ITP216-7	MOM ON	OFF	MOM ON
ITP216-8	MOM ON	NONE	ON
ITP216-5I	NONE	ON	MOM ON
ITP216-6I	MOM ON	OFF	NONE

ELECTRICAL DATA

15A-125, 250 OR 277VAC
 1/2HP-125VAC; 1HP-250, 277VAC
 5A-125VAC "L" CODE L191

CE
 SP
 RU

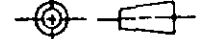
10A-125, 250, 277VAC
 1/4HP-125VAC; 1/2HP-250, 277VAC
 3A-125VAC "L" CODE L192

SP
 RU
 CE

NOTES

- 1 - MICRO SWITCH CATALOG LISTING MARKED ON SIDE OF SWITCH
- 2 - SCREWS FURNISHED UNASSEMBLED
- 3 - THESE SWITCHES WILL WITHSTAND TEMPERATURE OF 160°F

THIRD ANGLE PROJECTION



SCALE FULL

DO NOT SCALE PRINT

TOLERANCES

APPLY TO DESIGN UNITS. CONVERSIONS ARE ONLY FOR REFERENCE. UNLESS NOTED TOLERANCES ARE:

DIM	TOL	DIM	TOL
mm	mm/in	in	mm/in
NO PLACES	X	1/64	
ONE PLACE	X X	0.01/0.16	X X 0.01/0.16
TWO PLACES	X X X	0.001/0.025	X X X 0.001/0.025
THREE PLACES	X X X X	0.0001/0.0025	X X X X 0.0001/0.0025

DESIGN UNITS METRIC US CUSTOMARY

WEIGHT .09 LB EST

FORMTEK

DRAWN

JEF

26 OCT 81

CHECK

CHECK