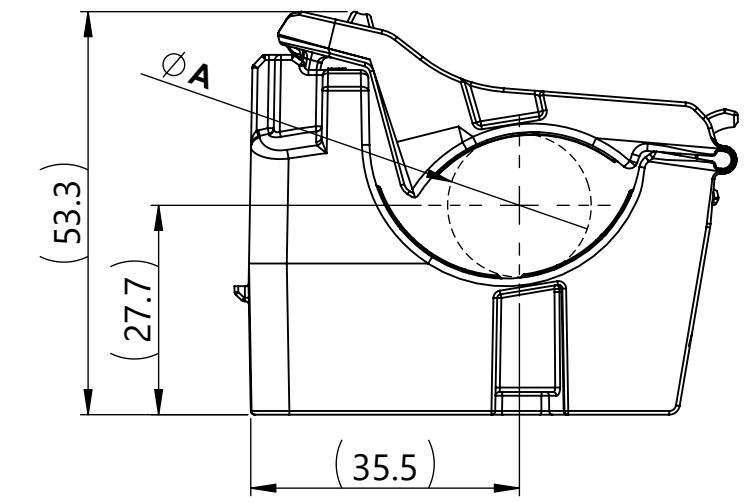
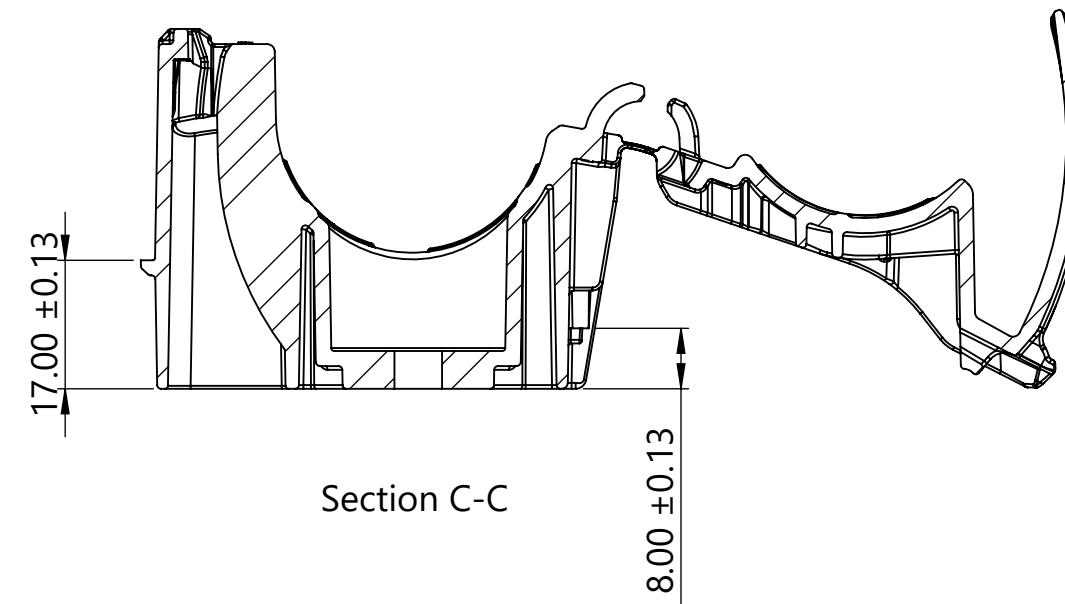
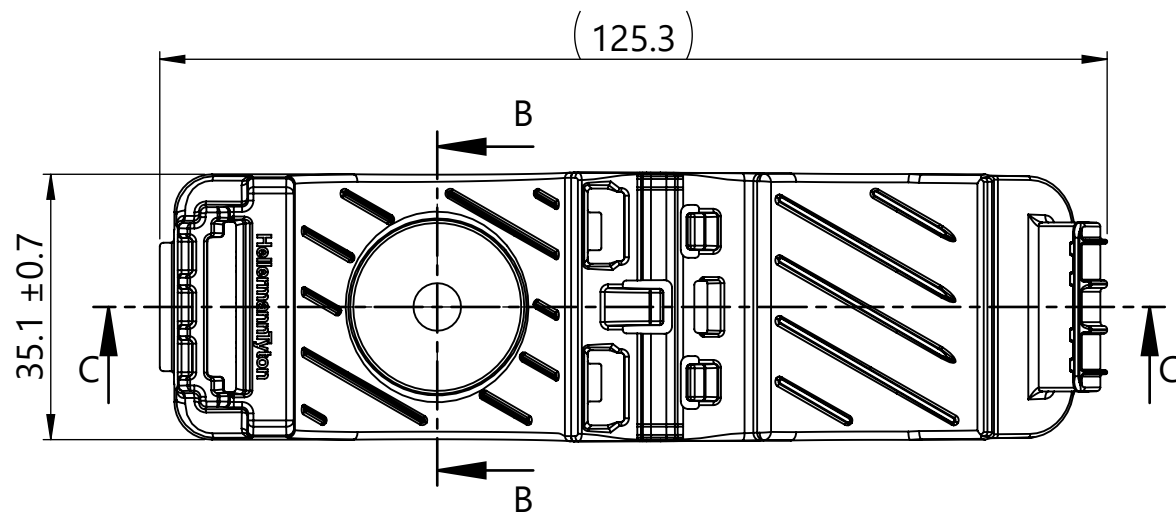


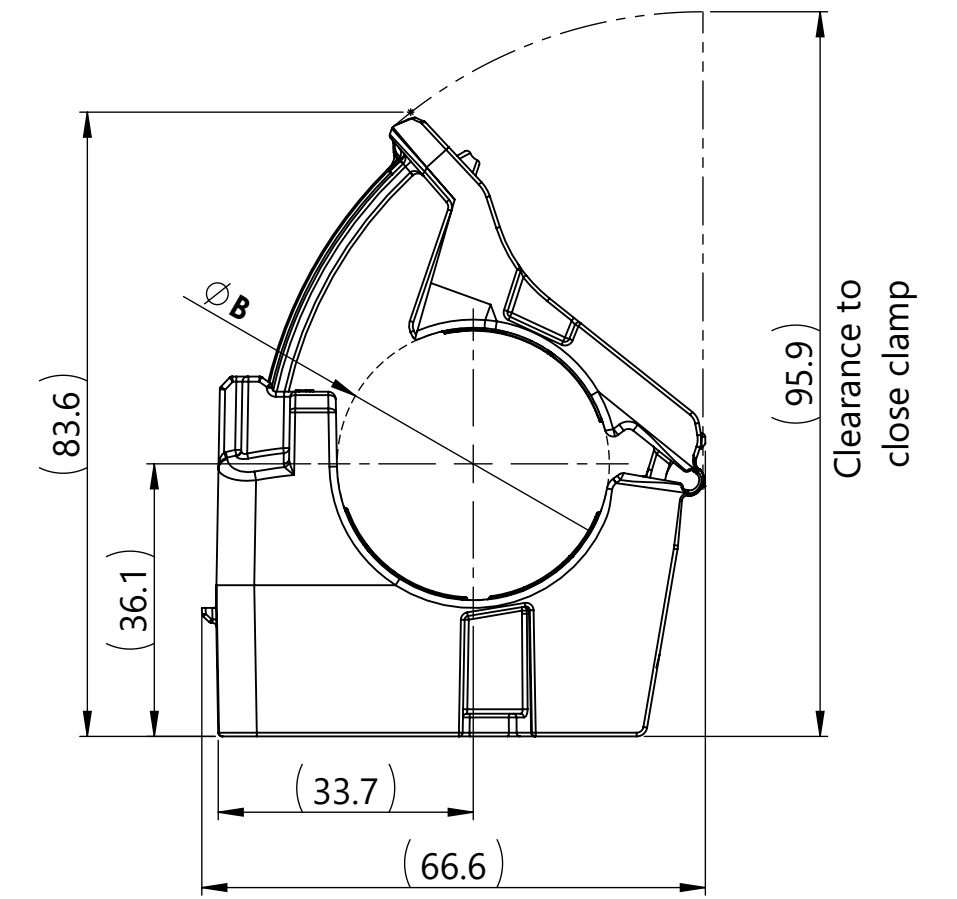
Isometric View  
Product shipped in clamp open position



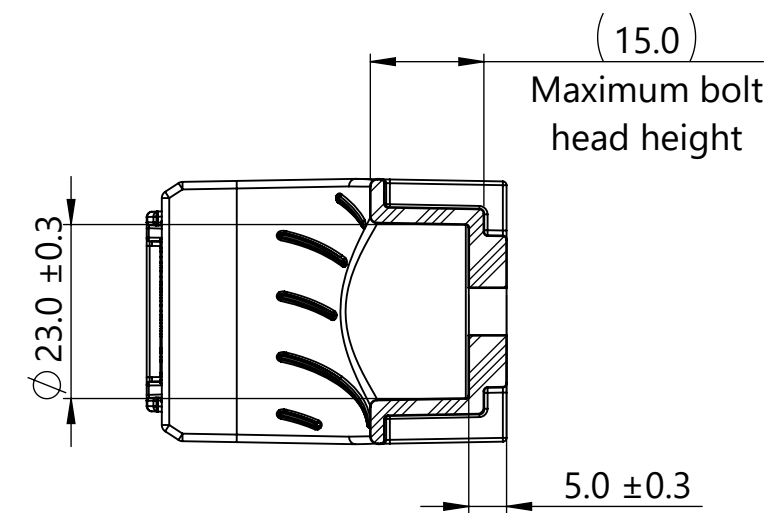
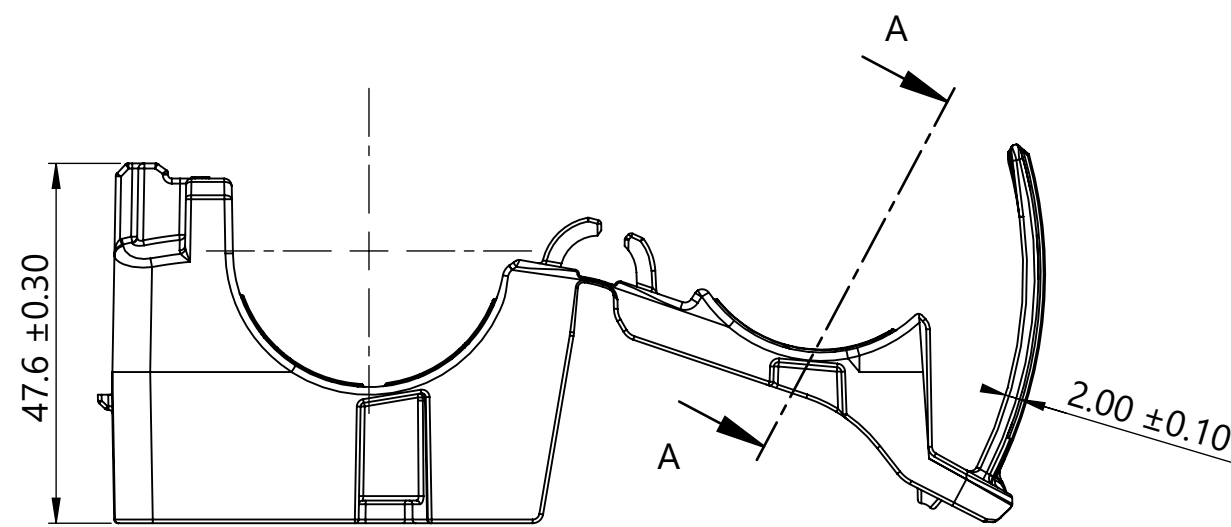
**Minimum Bundle Diameter**



Section C-C



**Maximum Bundle Diameter**



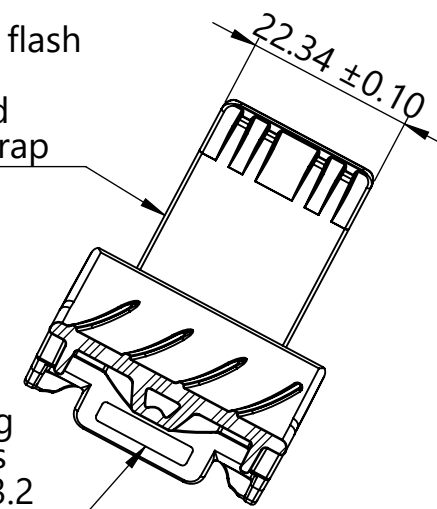
Section B-B

**Performance requirements:**  
Dry as molded with ≤ 0.5% moisture content:

- ITS-0001 Ratchet Clamp Split Mandrel Test: 445 newtons [100 lbf] minimum at a nominal bundle diameter of 25.40 [1.000in]

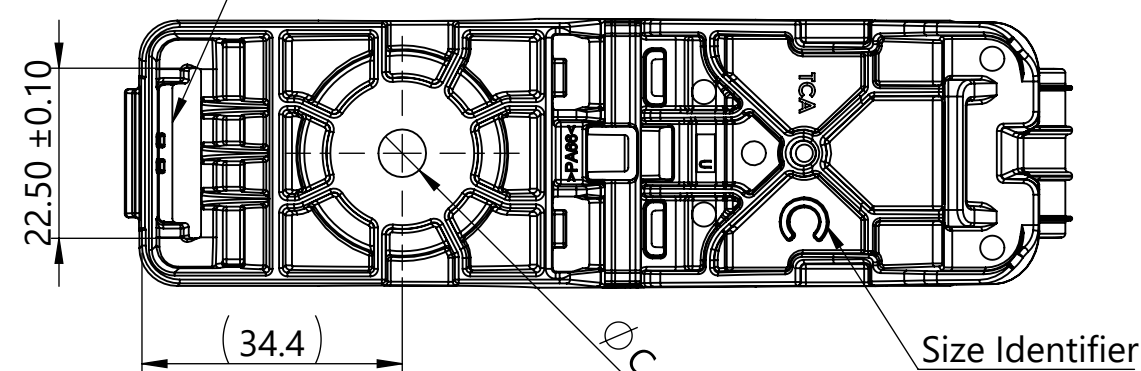
0.10 Maximum flash or mismatch allowed around perimeter of strap

Saddle opening accommodates Straps up to 13.2 wide and 2.1 thick



Section A-A

0.10 Maximum flash or mismatch allowed inside head



Size Identifier

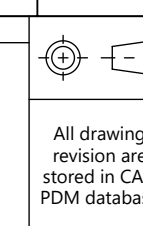
**Notes:**

- Material: See chart
- Material color: See chart
- Maximum percent regrind permissible: 25%
- Maximum allowable flash to be: 0.50 "Unless otherwise noted"
- Maximum allowable mismatch to be: 0.15 "Unless otherwise noted"

Bundle Types	A Minimum Diameter	B Maximum Diameter
Soft	19.4 ± 0.3	36.0 ± 0.3
Hard	18.6 ± 0.3	35.2 ± 0.3

Global Part Number	Global Part Description	Mounting Hole Size	Torque Specification	φC	Type Number	Material	Color
21-0227	CMRCLM6-PA66HIRHSUV-BK	M6	13 N-m [115.06 lb-in]	6.3 ± 0.13	CMRCLM6	PA66HIRHSUV	Black
21-0230	CMRCLM8-PA66HIRHSUV-BK	M8	31 N-m [274.37 lb-in]	8.3 ± 0.13	CMRCLM8	PA66HIRHSUV	Black
21-0232	CMRCLM10-PA66HIRHSUV-BK	M10	62 N-m [548.75 lb-in]	10.3 ± 0.13	CMRCLM10	PA66HIRHSUV	Black

Revision level			Revision Record		
Drawing	State	Part	ECN 016828		
00.0	Design Release	-			
Changed	Date (YYYY/MM/DD)				
Spangler	2022/01/18				
Approved	Date (YYYY/MM/DD)				
Toll	2022/01/18				



The copyright of this drawing is reserved by HellermannTyton.

Units: **mm**  
**HellermannTyton**  
www.HellermannTyton.com

Drawn: Spangler, Date: 2021/04/28  
Approved: Toll, Date: 2021/04/28  
Title: CMRCLM6 Center Mount RCC Ratchet P-Clamp, Size C, Clamp Range 18.9 to 36.0, Low Torque  
Scale: 1:1  
Global Project Number: 21-0227  
Drawing-No: 21-0227-003-CSU  
Format: A2  
Sheet: 1/1