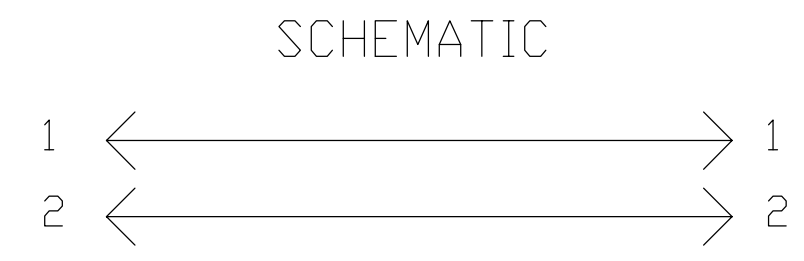
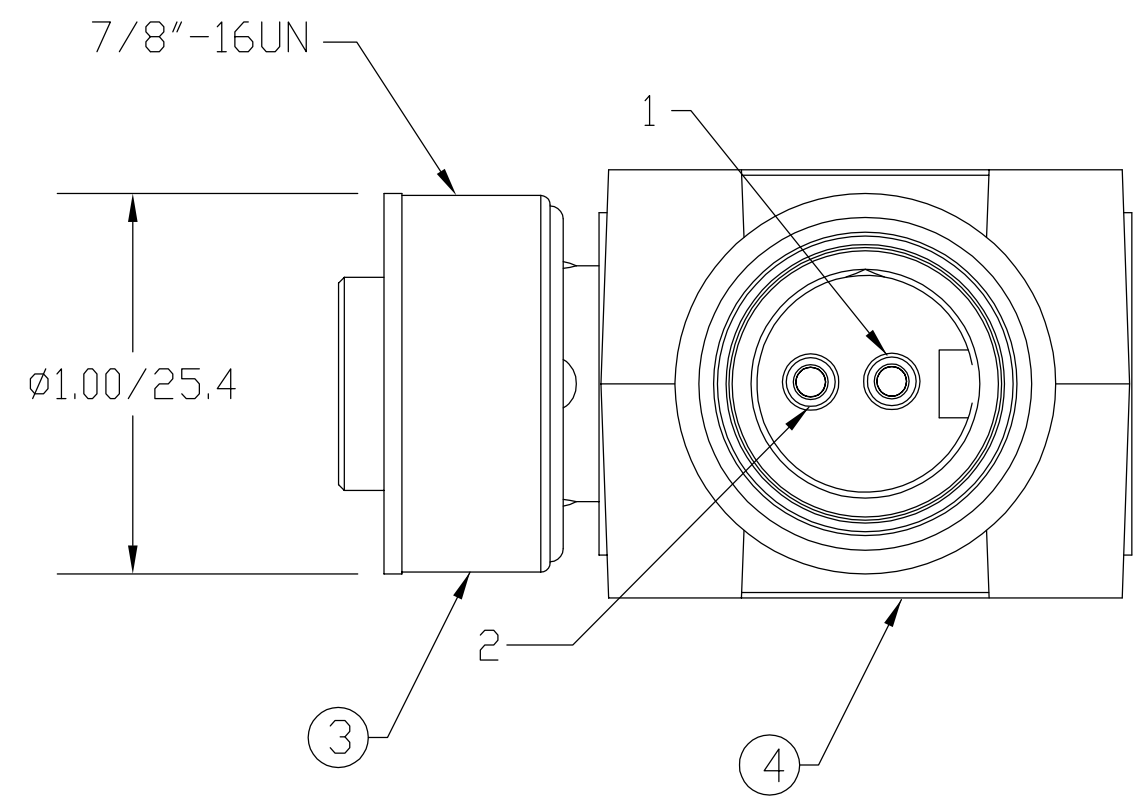
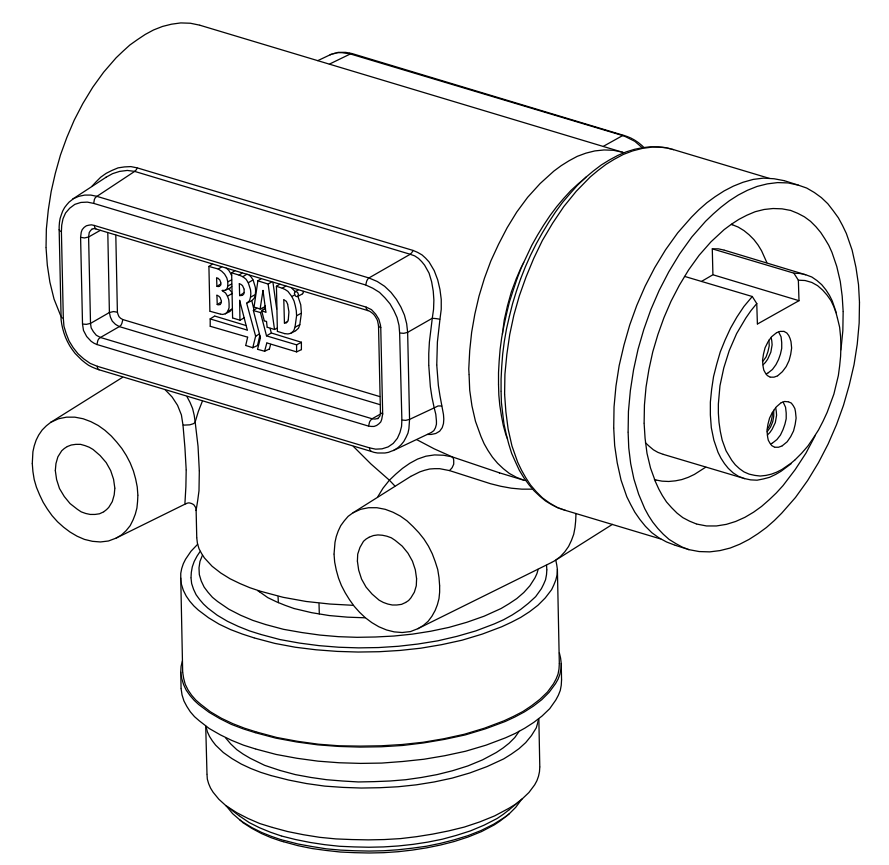
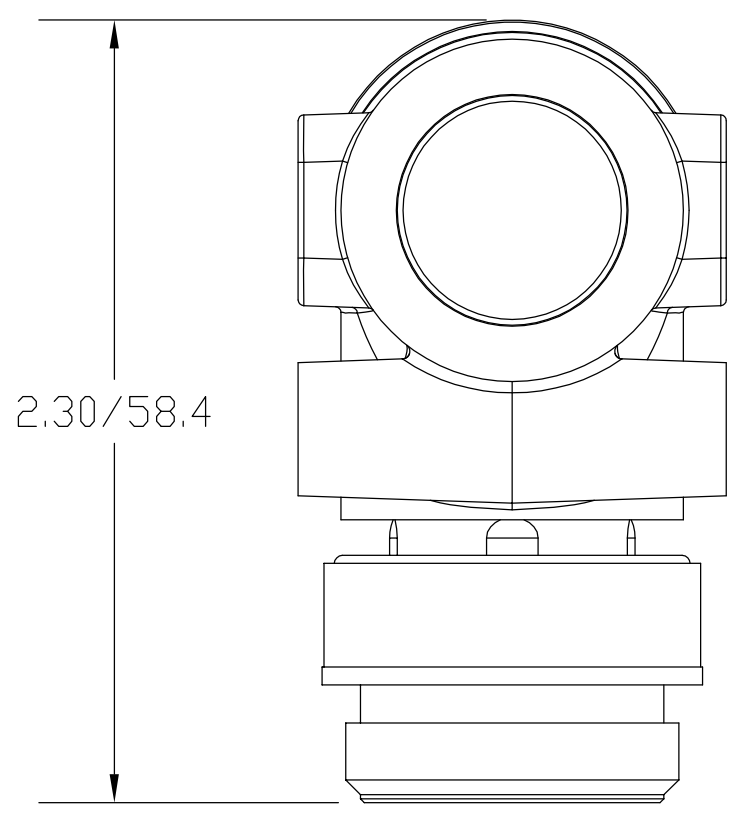
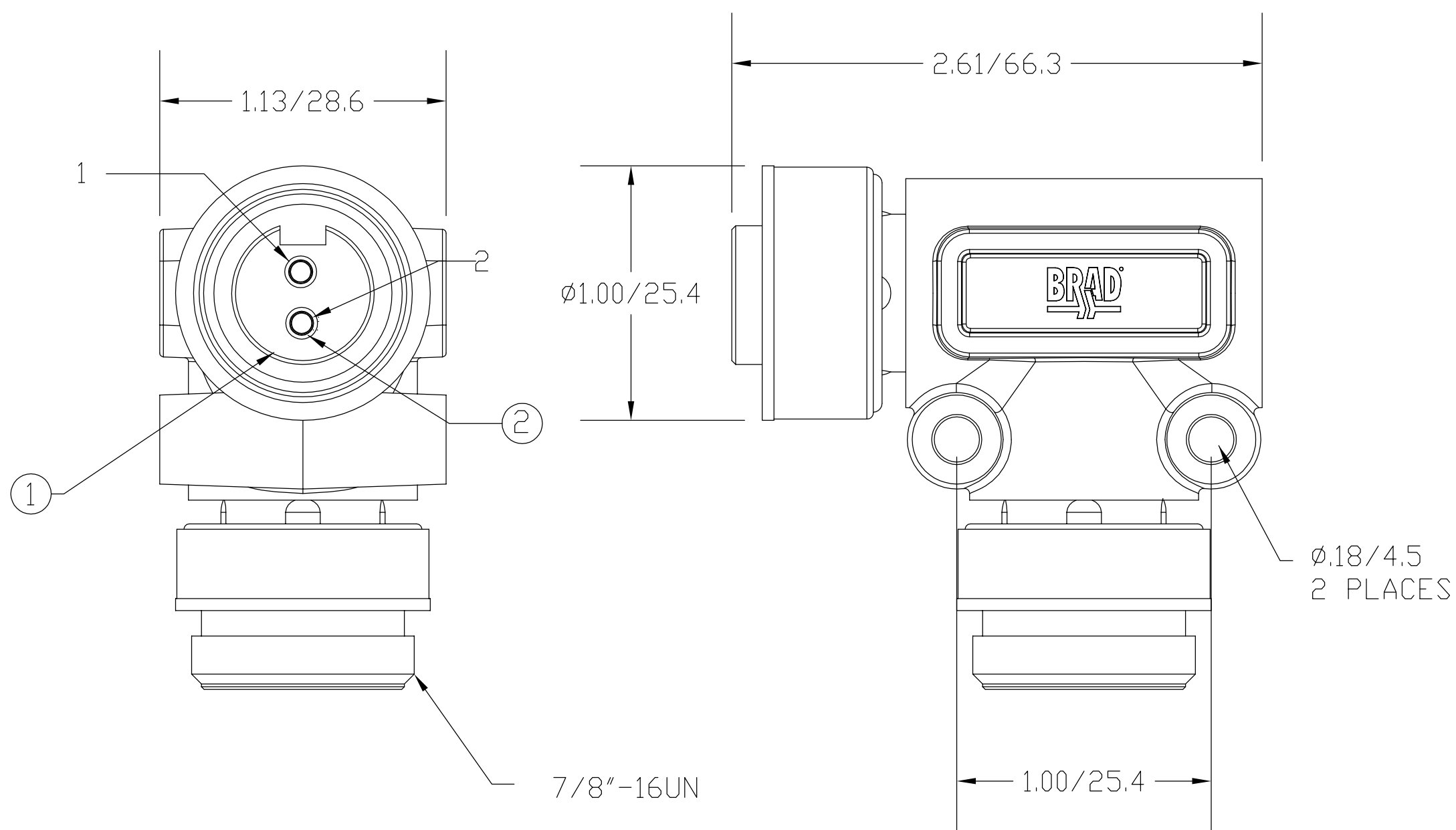


MATERIAL NUMBER	OLD PART NUMBER
130018-0204	40761



VOLTAGE RATING	600 VAC/VDC
AMPERAGE RATING	13 AMPS
PROTECTION	IP67
OPERATING TEMPERATURE	-20°C TO 80°C
UL CERTIFICATIONS	UL RECOGNIZED, FILE NO. E152210
CSA CERTIFICATIONS	CSA CERTIFIED, FILE NO. LR6837

ITEM	COMPONENT	MATERIAL	FINISH
1	INSERT	PVC	YELLOW
2	CONTACT	COPPER ALLOY	GOLD OVER NICKEL
3	COUPLING NUT	ZINC DIE CAST	BLACK E-COATED
4	OVERMOLD	PVC	YELLOW

RLSO DRAWING
 EC NO: WNA2010-0131
 DRWN: BWOODMAN 8/25/09
 CH'KD: TW
 APPR: JFMURPHY 2009/08/27
 DESCRIPTION
 REV A

QUALITY SYMBOL
 ▽=0
 ▽=0
GENERAL TOLERANCES (UNLESS SPECIFIED)

	mm	INCH
4 PLACES	±----	±----
3 PLACES	±----	±----
2 PLACES	±----	±.01
1 PLACE	±0.3	±----

 ANGULAR ±----°
DRAFT WHERE APPLICABLE MUST REMAIN WITHIN DIMENSIONS

DIMENSION STYLE
 IN/MM
 DRAWN BY: BW DATE: 2009/08/25
 CHECKED BY: JM DATE: 2009/08/25
 APPROVED BY: JFMURPHY DATE: 2009/08/26
 MATERIAL NO.: SEE CHART
 SIZE: C

SCALE: ---
 DESIGN UNITS: ---
 THIRD ANGLE PROJECTION
TITLE
 MC 2P FEMALE/MALE 90 ADAPTER
 MOLEX INCORPORATED
 DOCUMENT NO.: SD-130018-005
 SHEET NO.: 1 OF 1
 THIS DRAWING CONTAINS INFORMATION THAT IS PROPRIETARY TO MOLEX INCORPORATED AND SHOULD NOT BE USED WITHOUT WRITTEN PERMISSION