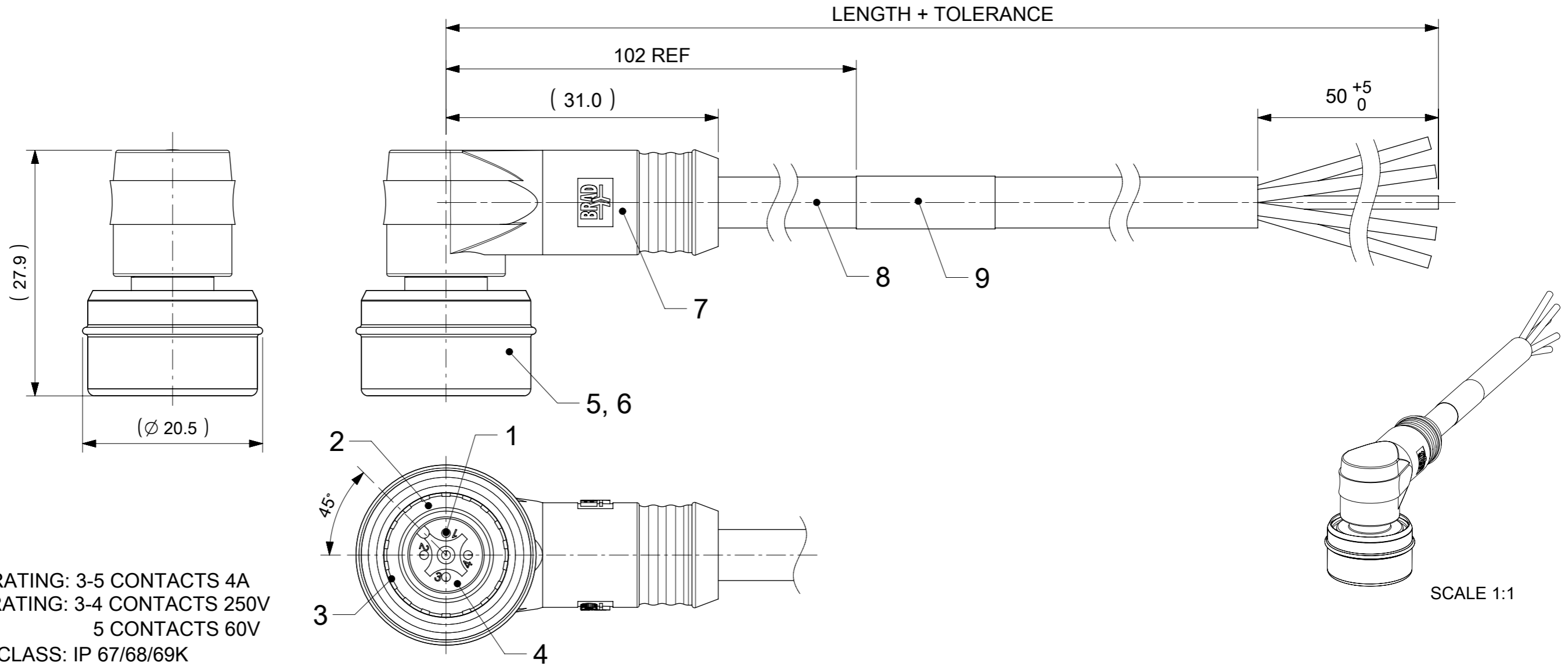


MALE PLUG ULTRA LOCK U12 90° ANGLED



NOTES:
 CURRENT RATING: 3-5 CONTACTS 4A
 VOLTAGE RATING: 3-4 CONTACTS 250V
 5 CONTACTS 60V
 PROTECTION CLASS: IP 67/68/69K
 TEMPERATURE: -25°C / +85°C

CONTACTS POSITION FRONT VIEW:

| 3 CONTACTS | | 4 CONTACTS | | 5 CONTACTS | |
|------------|-------|------------|-------|------------|-------|
| | | | | | |
| PIN | WIRE | PIN | WIRE | PIN | WIRE |
| 1 | BROWN | 1 | BROWN | 1 | BROWN |
| 2 | --- | 2 | WHITE | 2 | WHITE |
| 3 | BLUE | 3 | BLUE | 3 | BLUE |
| 4 | BLACK | 4 | BLACK | 4 | BLACK |
| 5 | --- | 5 | --- | 5 | GREY |

CODING ACCORDING TO IEC 61076-2-101

FOR OPTIONS SEE - NUMERICAL CODE - ON SHEET 2

| ITEM | QTY. | DESCRIPTION | MATERIAL | FINISH |
|------|-----------|-------------------|-------------|----------------------------|
| 9 | 1 | LABEL YELLOW | VINYL | --- |
| 8 | - | CABLE | SEE SHEET 2 | --- |
| 7 | - | OVERMOULD BLACK | TPU | --- |
| 6 | 1 | SLEEVE U12 INNER | BRASS | NICKEL |
| 5 | 1 | SLEEVE U12 OUTER | BRASS | NICKEL |
| 4 | 1 | INSERT MALE BLACK | PUR | --- |
| 3 | 1 | SPRING U12 | V4A | --- |
| 2 | 1 | ORING GREEN | FPM | --- |
| 1 | 3 / 4 / 5 | CONTACT M12 MALE | BRASS | SELECTIVE GOLD OVER NICKEL |

| | | | |
|---------------------------------------|---|-------------|--------|
| FUNCTIONAL SYMBOLS | THIS DRAWING CONTAINS INFORMATION THAT IS PROPRIETARY TO MOLEX ELECTRONIC TECHNOLOGIES, LLC AND SHOULD NOT BE USED WITHOUT WRITTEN PERMISSION | SCALE | 2:1 |
| GENERAL TOLERANCES (UNLESS SPECIFIED) | | ANGULAR TOL | ± 1.0° |
| DIVISIONAL SYMBOLS | | 4 PLACES | ± |
| | | 3 PLACES | ± |
| | | 2 PLACES | ± 0.05 |
| | | 1 PLACE | ± 0.3 |
| | | 0 PLACES | ± 0.5 |

| | | | |
|-------------------|------------|-------|------------|
| EC NO: | 707722 | DATE: | 2022/05/23 |
| DRWN: | RSCHIEBER | DATE: | 2022/05/25 |
| CHK'D: | RSILLER | DATE: | 2022/05/25 |
| APPR: | RSILLER | DATE: | 2022/05/25 |
| INITIAL REVISION: | | DATE: | 2016/06/23 |
| DRWN: | JMARSZALEK | DATE: | 2016/06/29 |
| APPR: | RSILLER | | |

| | | | | | | | |
|-----------------|----------------|--------------|--------|----------|-----|----------|----|
| DOCUMENT NUMBER | 1200795111 | DOC TYPE | PSD | DOC PART | 000 | REVISION | A5 |
| CUSTOMER | GENERAL MARKET | SHEET NUMBER | 1 OF 2 | | | | |

ENGINEERING NO. - NUMERICAL CODE (Available parts see PART LIST table. Other parts available upon request).

OPTIONS

W 0 X 0 0 7 X X X X X X X X

W0=U12
Ultra Lock
Single ended

Poles:
3=3 Poles
4=4 Poles
5=5 Poles

Heads style:
007=Plug Male Angled

Cable type: See Table

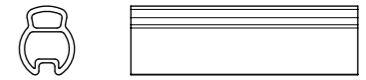
Units:
M=Meter

Length
Examples:
005=0.5 units
010=1 units
100=10 units

Overmold color:
Blank (Standard)=Black
A=Grey / G=Black / Y=Yellow

Ultra Lock Assembly:
Blank (Standard)=Brass, Ni Plated
8=Stainless steel, EPDM oring

H= 2 pcs. of I/D Carrier PVC Transparent
(Cables lxx & P82 always with
2 pcs. of I/D Carrier)



CABLE INFORMATION (for more information see Cable Data Sheet).

| CABLE TYPE | NO. OF WIRES | CROSS SECTION | CABLE JACKET | UL | CSA | STATIC: TEMP. / BENDING RADIUS | DYNAMIC: TEMP. / BENDING RADIUS | DRAG CHAIN | SHIELD |
|------------|--------------|---------------------|-----------------|----------------|-------------------------|--------------------------------|---------------------------------|---------------------------------|--------|
| E03 | 3 / 4 / 5 | 0.34mm ² | PVC BLACK | UL 2464/1729 | C22.2 I/II A/B 80°/300V | -30°C to +80°C, 10xO.D. | -10°C to +80°C, 15xO.D. | - | - |
| H09 | 3 / 4 / 5 | 0.34mm ² | PUR BLACK LS0H | UL 21198/10493 | C22.2 I/II A/B 80°/300V | -40°C to +80°C, 5xO.D. | -25°C to +80°C, 10xO.D. | 2 000 000 cycles, Temp max 60°C | - |
| P03 | 3 / 4 / 5 | 0.34mm ² | PUR / PVC BLACK | - | - | -30°C to +80°C, 7xO.D. | -5°C to +80°C, 15xO.D. | - | - |
| K05 | 4 | 0.34mm ² | TPE/YELLOW | | | | | | |

PART LIST

| No. | Molex P/N | Engineering no. | Cable Length |
|-----|------------|-----------------|--------------|
| 1 | 1200200002 | W03007P03M020 | 2m |
| 2 | 1200795108 | W04007E03M020 | 2m |
| 3 | 1200795109 | W04007P03M020 | 2m |
| 4 | 1200795111 | W05007E03M020 | 2m |
| 5 | 1200795112 | W05007P03M020 | 2m |
| 6 | 1200798004 | W04007E03M050 | 5m |
| 7 | 1200798005 | W04007P03M050 | 5m |
| 8 | 1200798020 | W04007P03M100 | 10m |
| 9 | 1200798041 | W03007H09M020 | 2m |
| 10 | 1200798050 | W05007H09M020 | 2m |
| 11 | 1200798052 | W04007H09M020 | 2m |
| 12 | 1200798080 | W05007E03M015 | 1.5m |
| 13 | 1200798085 | W05007E03M003 | 0.3m |
| 14 | 1200798125 | W05007E03M200 | 20m |
| 15 | 1200795107 | W03007E03M020 | 2m |
| 16 | 1200798150 | W03007E03M050 | 5m |
| 17 | 1200798151 | W03007E03M100 | 10m |
| 18 | 1200798152 | W04007E03M100 | 10m |
| 19 | 1200798153 | W05007E03M050 | 5m |
| 20 | 1200798154 | W05007E03M100 | 10m |
| 21 | 1200798160 | W05007H09M200 | 20m |

| No. | MOLEX P/N | ENGINEERING NO. | Cable Length |
|-----|------------|-----------------|--------------|
| 22 | 1200790181 | W04007K05M060 | 6m |
| 23 | 1200790192 | W04007K05M020 | 2m |
| 24 | 1200790194 | W04007K05M050 | 5m |
| 25 | 1200790196 | W04007K05M100 | 10m |
| 26 | 1200790208 | W04007K05M040 | 4m |

CABLE LENGTH TOLERANCES

| OVER | UP TO AND INCLUDING | TOLERANCES |
|---------|---------------------|------------------------|
| 0 | 305mm | +19mm |
| 305mm | 915mm | +45mm |
| 915mm | 1830mm | +56mm |
| 1830mm | 3660mm | +89mm |
| 3660mm | 7320mm | +165mm |
| 7320mm | 14640mm | +317mm |
| 14640mm | 30500mm | +610mm |
| 30500mm | > | +2% of finished length |

| | | | | |
|--------------------|---|--|--|--|
| FUNCTIONAL SYMBOLS | THIS DRAWING CONTAINS INFORMATION THAT IS PROPRIETARY TO MOLEX ELECTRONIC TECHNOLOGIES, LLC AND SHOULD NOT BE USED WITHOUT WRITTEN PERMISSION | CURRENT REV DESC: LABEL DIMENSION UPDATED | | molex |
| | DIMENSION UNITS: mm SCALE: 1:1 GENERAL TOLERANCES (UNLESS SPECIFIED): ANGULAR TOL ± 1.0° 4 PLACES ± | EC NO: 707722 DRWN: RSCHIEBER 2022/05/23 CHK'D: RSILLER 2022/05/25 APPR: RSILLER 2022/05/25 | PRODUCT CUSTOMER DRAWING CSE U12 XP AC MA RA XM SE UNSH | |
| DIVISIONAL SYMBOLS | 3 PLACES ± 2 PLACES ± 0.05 1 PLACE ± 0.3 0 PLACES ± 0.5 | INITIAL REVISION: DRWN: JMARSZALEK 2016/06/23 APPR: RSILLER 2016/06/29 | DOCUMENT NUMBER: 1200795111 DOC TYPE: PSD DOC PART: 000 REVISION: A5 | |
| | DRAFT WHERE APPLICABLE MUST REMAIN WITHIN DIMENSIONS | THIRD ANGLE PROJECTION | DRAWING: A3-SIZE SERIES: 120079 | MATERIAL NUMBER: SEE PART LIST CUSTOMER: GENERAL MARKET SHEET NUMBER: 2 OF 2 |