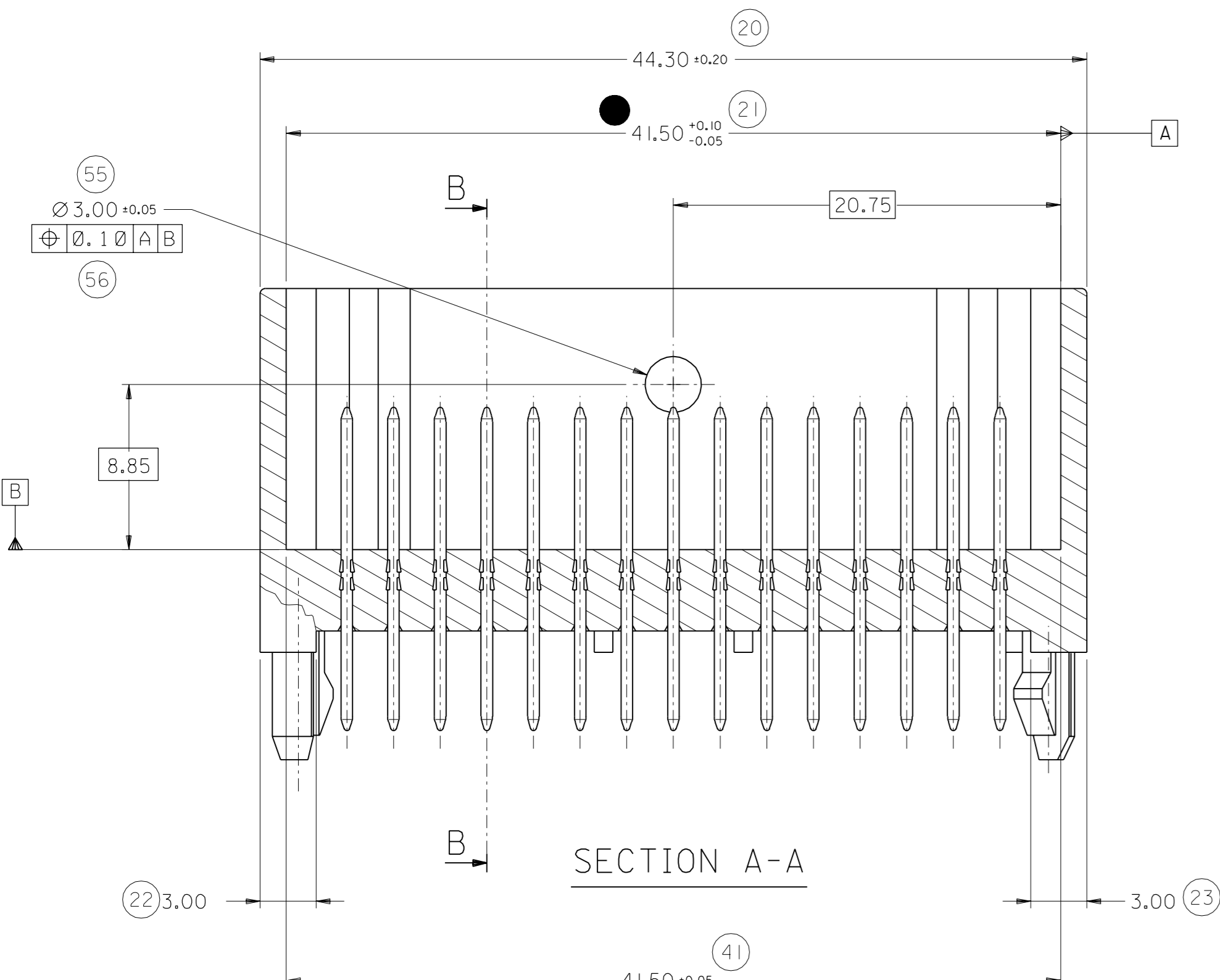
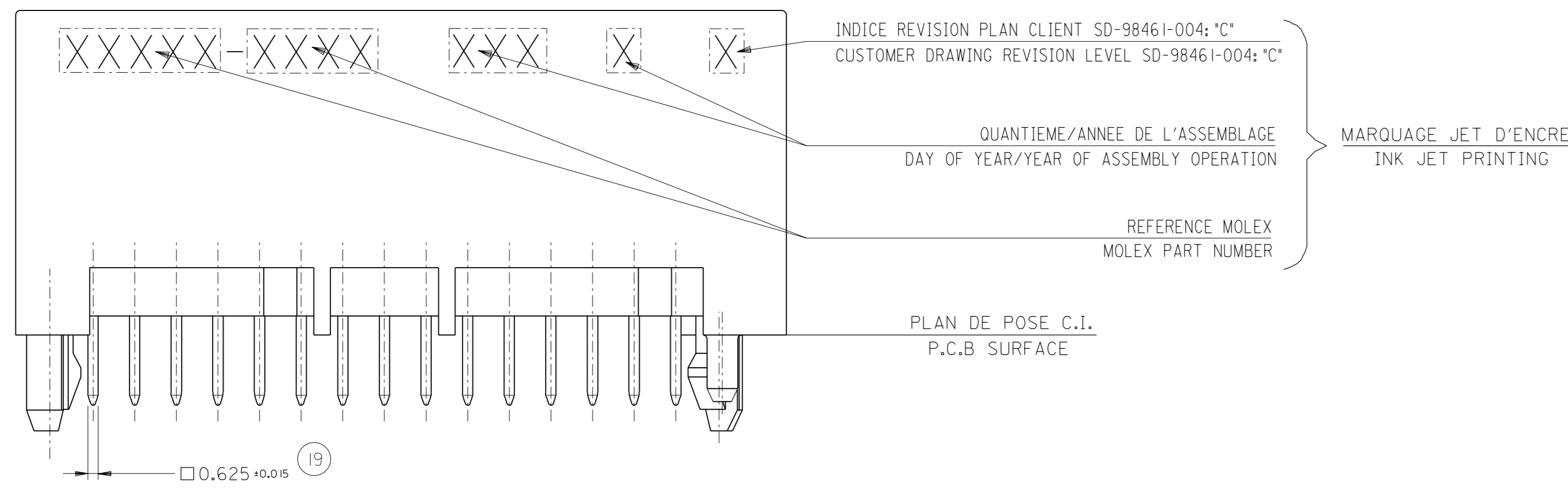
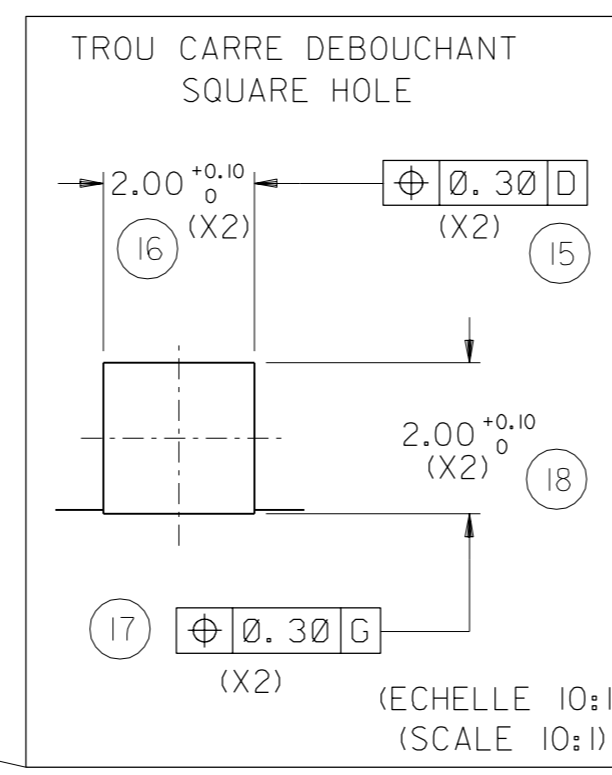
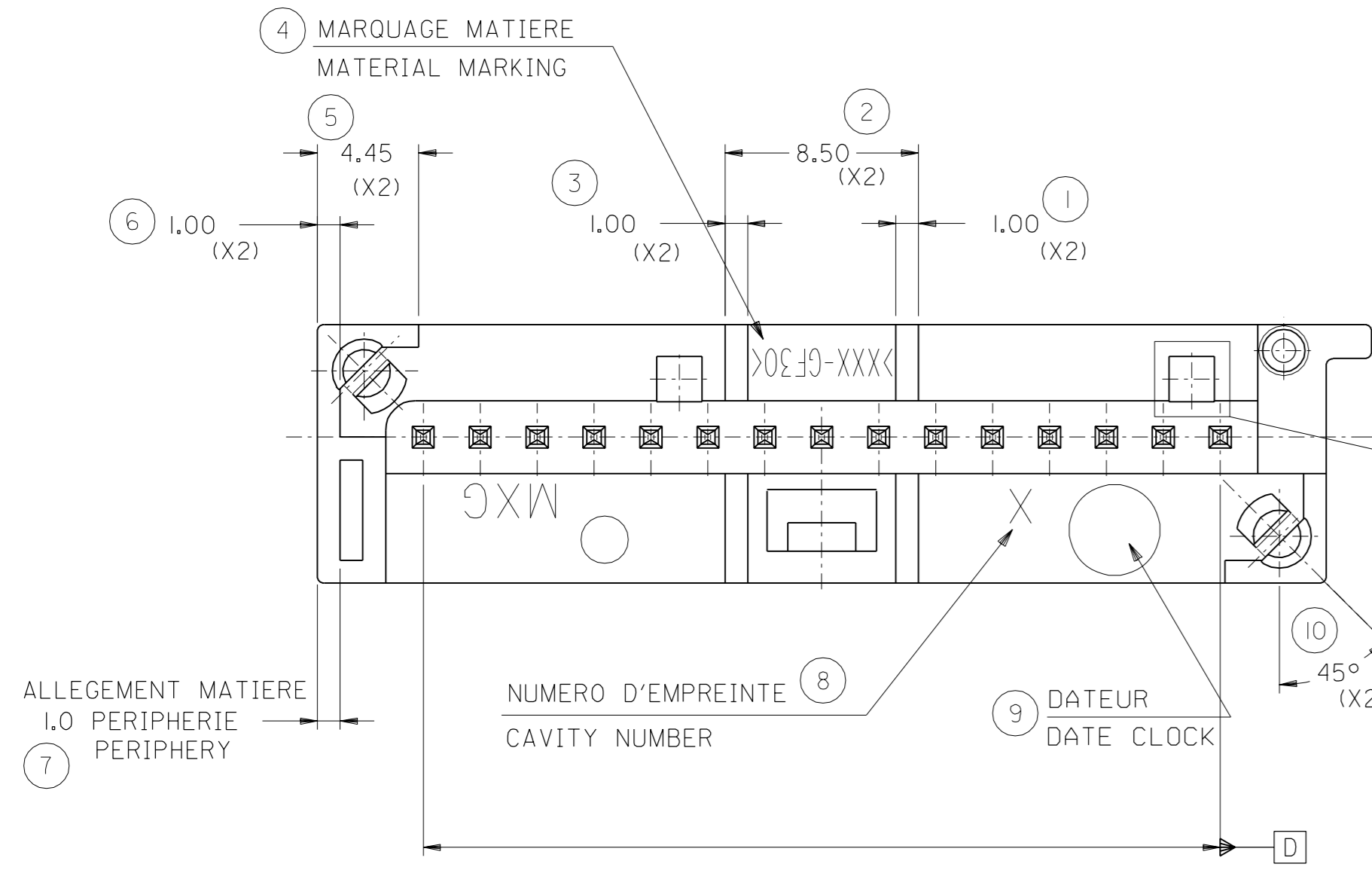
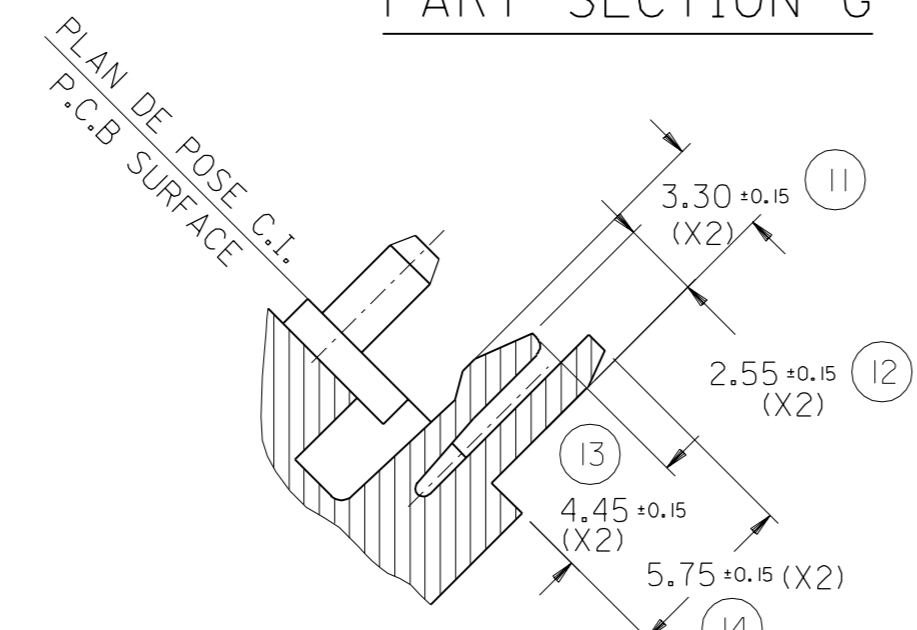
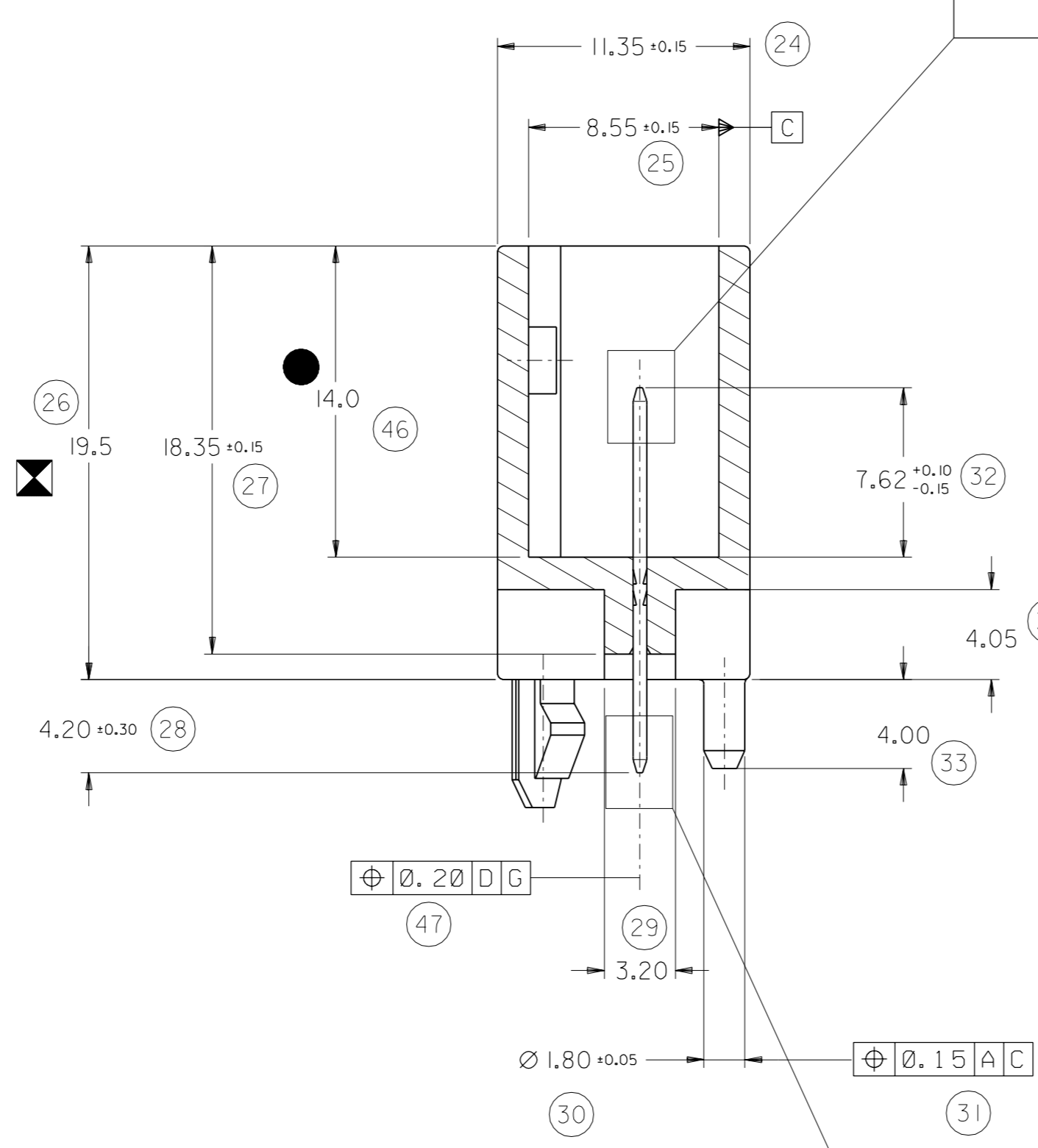


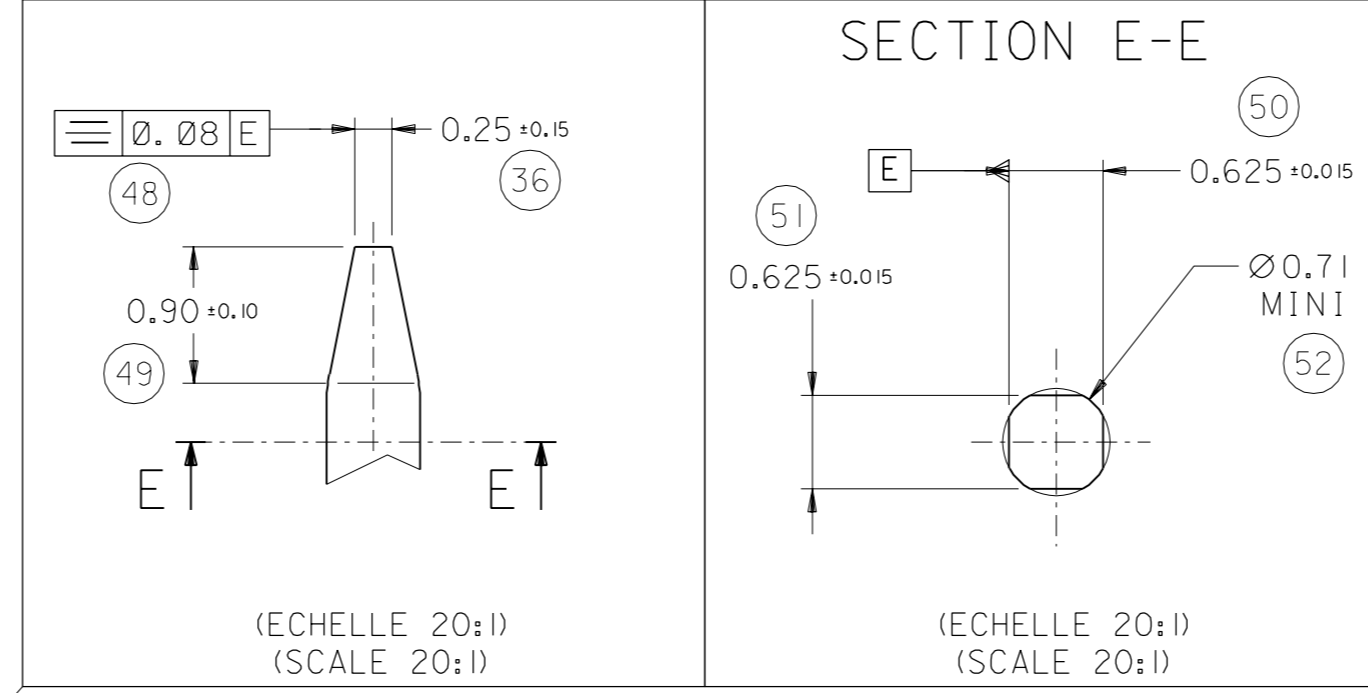
SECTION PARTIELLE G
PART SECTION G



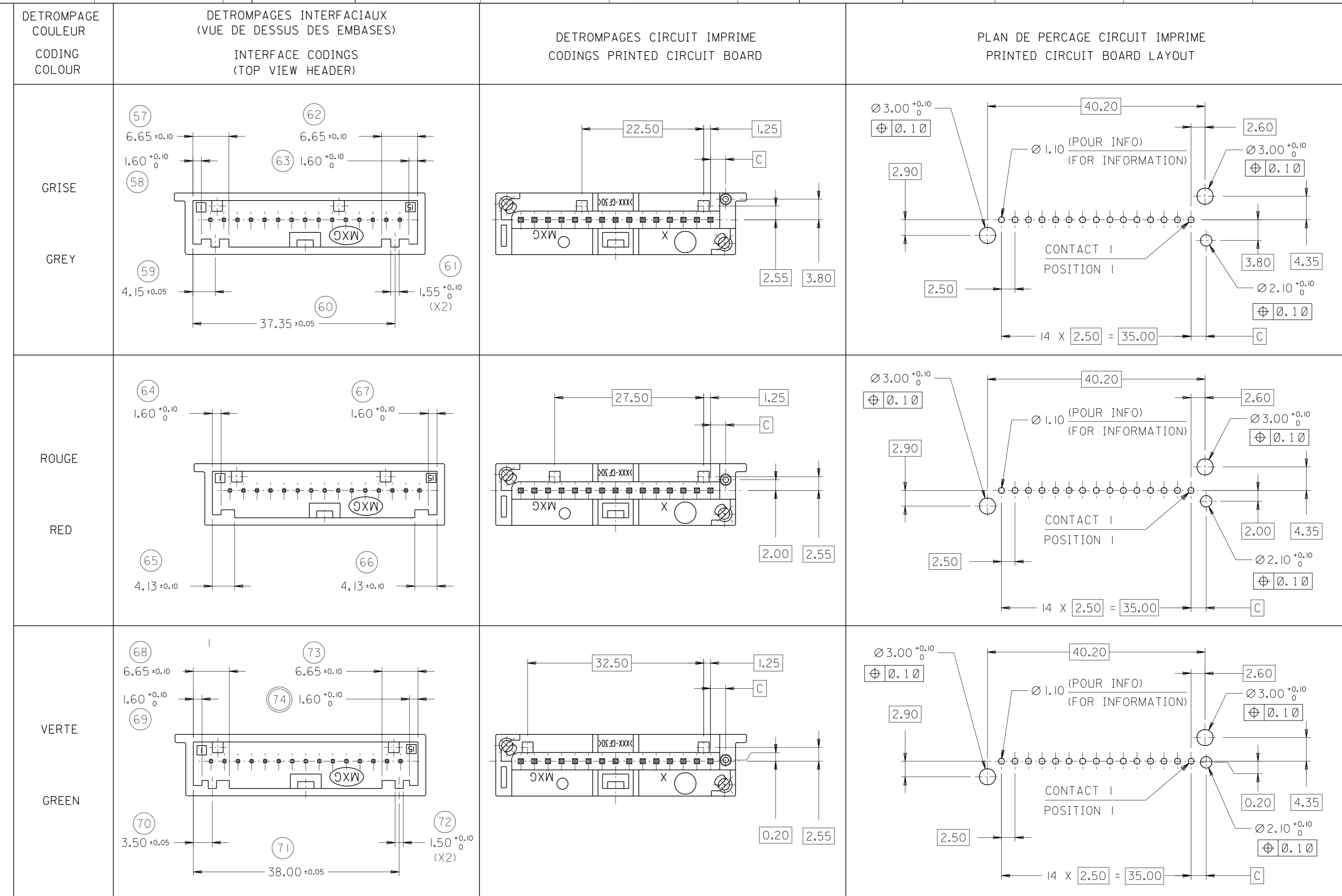
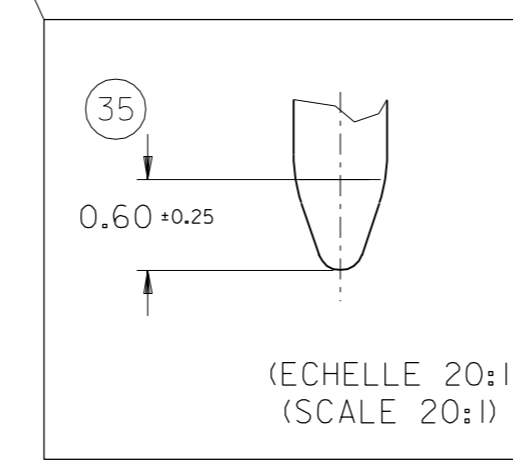
SECTION B-B



SECTION E-E



PART SECTION C-C



COULEUR COLOUR	MATIERE MATERIAL	REFERENCE MOLEX MOLEX PART NUMBER	DIM. C	PORTE-CLIP ASSOCIE FEMALE MODULE ASSOCIATED
GRISE	PBT-30GF	98461-1111	3,50	
GREY	PCT-30GF	98461-1121	2,80	77 03 297 766
ROUGE	PBT-30GF	98461-1112	3,50	77 03 297 765
RED	PCT-30GF	98461-1122	2,80	
VERTE	PBT-30GF	98461-1113	3,50	77 03 297 767
GREEN	PCT-30GF	98461-1123	2,80	

NOTES:

- LE CODAGE REPRESENTE CORRESPOND A LA COULEUR GRISE (MATIERE PCT)
FOR ILLUSTRATION PURPOSES GREY COLOUR PART IS SHOWN (PCT MATERIAL)
- PIECE CONFORME AU PLAN D'EMPREINTE RENAULT REF.: 7 710 001 006
PART IN ACCORDANCE WITH INTERFACE DRAWING RENAULT: 7 710 001 006.
- EPAISSEUR CIRCUIT IMPRIME: 150 +/- 0,14 mm.
PRINTED CIRCUIT BOARD THICKNESS: 150 +/- 0,14 mm.
- RETENTION DES CONTACT DANS L'ISOLANT: 25N mini.
PINS RETENTION IN HOUSING: 25N min.
- EPAISSEUR D'ETAMAGE CONTACT: 1 A 3 microns m.
TIN PLATING THICKNESS OF PINS: 1 TO 3 microns m.
- CLIPSAGE DE L'EMBASE SUR CIRCUIT IMPRIME:
HEADER FIXTURE OF PRINTED CIRCUIT BOARD.
EFFORT D'INSERTION: 10 A 30N.
INSERTION FORCE: 10 TO 30N.
EFFORT D'EXTRACTION: 30N mini.
RETENTION FORCE: 30N min.
- SPECIFICATION D'EMBALLAGE : PP-98461-010.
PACKAGING SPECIFICATION : PP-98461-010.

- INDICATION DIMENSIONS S.P.C DENOTES S.P.C DIMENSIONS
- INDICATION DIMENSIONS FONCTIONNELLES DENOTES FUNCTIONAL DIMENSIONS
- QUANTITE PAR FEUILLE INDIVIDUELLE QUANTITY PER INDIVIDUAL SHEET
- 1 PLACE(S) 3 PLACE(S)

EC NO. G-2001-0061	REV	DESCRIPTION	QUALITY SYMBOLS
DRWN: CBO			MAJOR
CHK: /			CRITICAL
APPR: /			

GENERAL TOLERANCES: (UNLESS SPECIFIED)	
mm	INCH
4 PLACES ±0.	±.
3 PLACES ±0.	±.
2 PLACES ±0,10	±.
1 PLACE ±0,15	±.
ANGULAR: ± 2 °	
DRAFT WHERE APPLICABLE MUST REMAIN WITHIN DIMENSIONS	

SCALE 4:1	DESIGN UNITS mm
DRAWN BY & DATE PGR 98/09/14	
CHECKED BY & DATE PDE / /	
APPROVED BY & DATE CBO / /	
CAD FILENAME S98461X1.DGN	MATERIAL NO. SEE CHART

FIRST ANGLE PROJECTION	DIMENSIONS: mm	SHT	REV
THIRD ANGLE PROJECTION	INCH		REVISE ON CAD ONLY
TITLE: EMBASE 15 VOIES CMS HEADER 15 WAY SMT CUSTOMER DRAWING			
MOLEX INCORPORATED			
CAD FILENAME S98461X1.DGN	MATERIAL NO. SEE CHART	DRAWING NO. SD-98461-004	SHEET NO. 1 OF 1
THIS DRAWING CONTAINS INFORMATION THAT IS PROPRIETARY TO MOLEX INCORPORATED AND SHOULD NOT BE USED WITHOUT WRITTEN PERMISSION.			