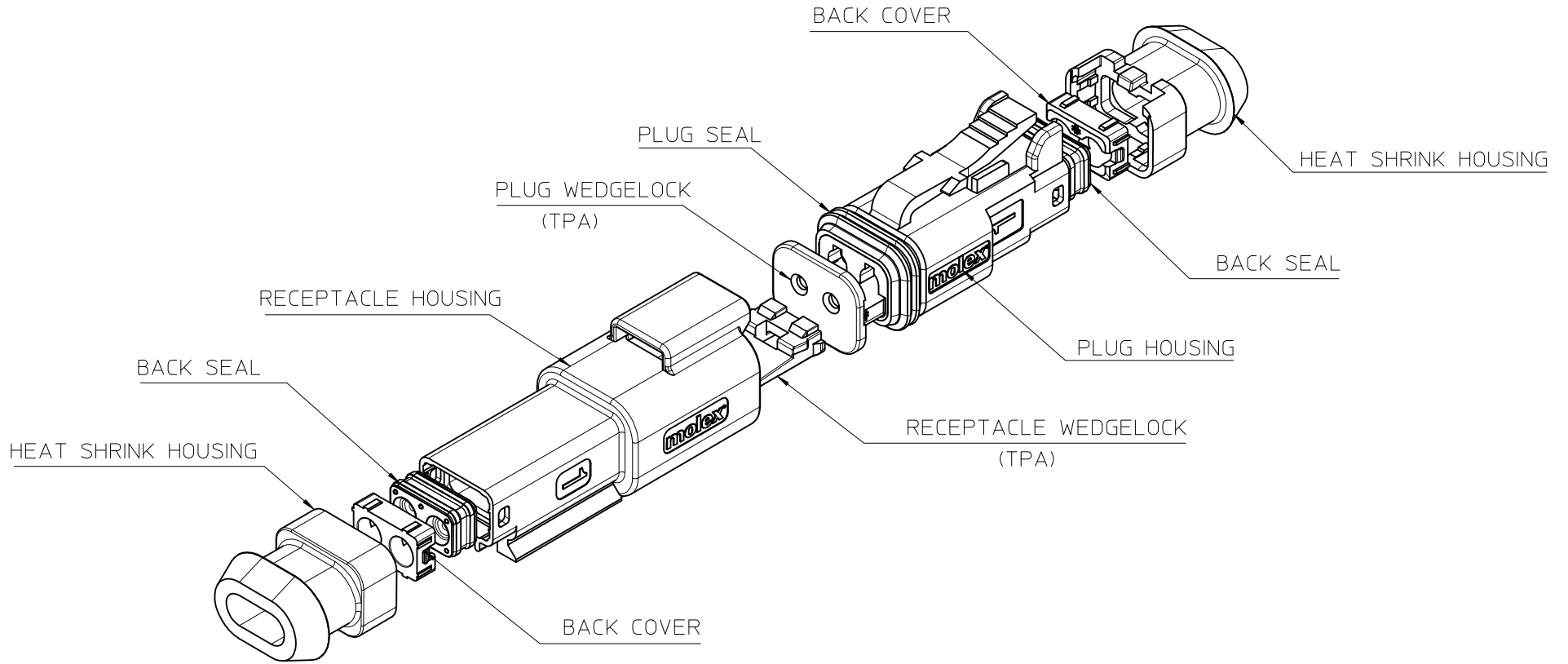


EM-93444-0010



NOTES

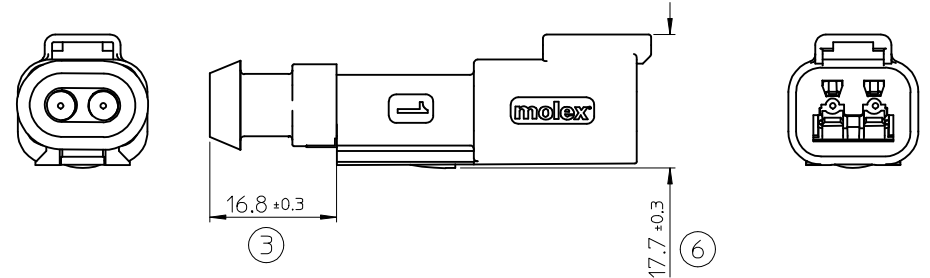
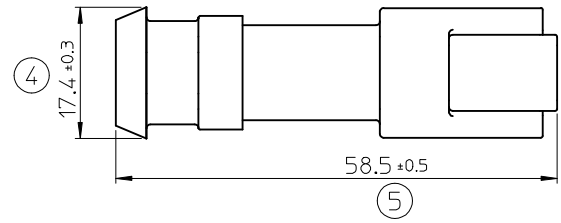
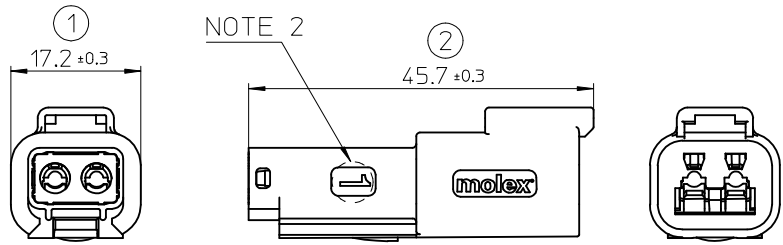
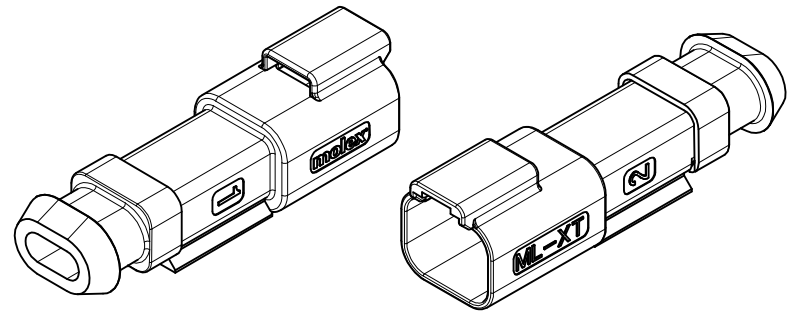
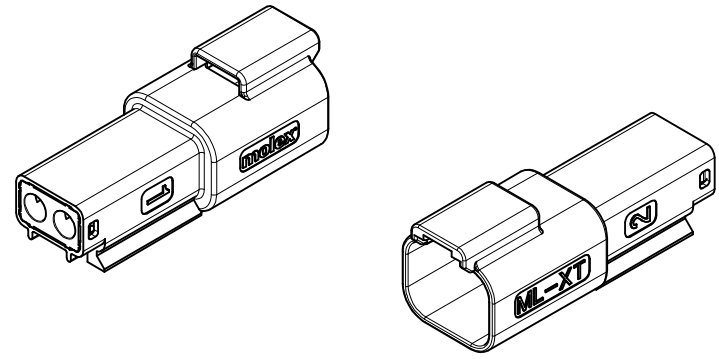
- SEE SHEETS 2 TO 7 FOR UNSPECIFIED NOTES, DIMENSIONS AND PART NUMBERS

PROPOSAL EC NO: IPG2015-1216 DRWN: JFLETCHER 2015/01/06 CHKD: APPR: JWALLACE 2015/01/12 REV 0	DESCRIPTION QUALITY SYMBOLS $\nabla=0$ $\nabla=0$	GENERAL TOLERANCES (UNLESS SPECIFIED) <table border="1"> <thead> <tr> <th></th> <th>mm</th> <th>INCH</th> </tr> </thead> <tbody> <tr> <td>4 PLACES</td> <td><math>\pm</math>---</td> <td><math>\pm</math>---</td> </tr> <tr> <td>3 PLACES</td> <td><math>\pm</math>---</td> <td><math>\pm</math>---</td> </tr> <tr> <td>2 PLACES</td> <td><math>\pm</math>0.10</td> <td><math>\pm</math>---</td> </tr> <tr> <td>1 PLACE</td> <td><math>\pm</math>0.20</td> <td><math>\pm</math>---</td> </tr> <tr> <td>0 PLACE</td> <td><math>\pm</math>---</td> <td><math>\pm</math>---</td> </tr> </tbody> </table>		mm	INCH	4 PLACES	$\pm$ ---	$\pm$ ---	3 PLACES	$\pm$ ---	$\pm$ ---	2 PLACES	$\pm$ 0.10	$\pm$ ---	1 PLACE	$\pm$ 0.20	$\pm$ ---	0 PLACE	$\pm$ ---	$\pm$ ---	DIMENSION STYLE <b>MM ONLY</b> DRAWN BY: JFLETCHER DATE: 2013/10/16 CHECKED BY: DATE: APPROVED BY: STGRIFFIN DATE: 2013/12/19 MATERIAL NO.	SCALE <b>2:1</b> DESIGN UNITS <b>METRIC</b> THIRD ANGLE PROJECTION	TITLE <b>2CCT ML-XT CV CONNECTOR</b>
		mm	INCH																				
	4 PLACES	$\pm$ ---	$\pm$ ---																				
	3 PLACES	$\pm$ ---	$\pm$ ---																				
2 PLACES	$\pm$ 0.10	$\pm$ ---																					
1 PLACE	$\pm$ 0.20	$\pm$ ---																					
0 PLACE	$\pm$ ---	$\pm$ ---																					
DRAFT WHERE APPLICABLE MUST REMAIN WITHIN DIMENSIONS	ANGULAR $\pm .5^\circ$	<b>SEE NOTES</b>	DOCUMENT NO. <b>SD-93443-001</b>	SHEET NO. <b>1 OF 7</b>																			
		SIZE <b>A3</b>	THIS DRAWING CONTAINS INFORMATION THAT IS PROPRIETARY TO MOLEX INCORPORATED AND SHOULD NOT BE USED WITHOUT WRITTEN PERMISSION																				

10 9 8 7 6 5 4 3 2 1

2CCT RECEPTACLE CONNECTOR

2CCT RECEPTACLE CONNECTOR WITH HEATSHRINK HOUSING ULTRA SONICALLY WELDED IN PLACE



- NOTES:
- MATERIAL  
HOUSING: NYLON 30%GF  
BACK SEAL: HIGH CONSISTENCY RUBBER
  - CIRCUIT IDENTIFICATION
  - JACKET RANGE LARGE = 2.7MM TO 3.6MM (SEAL COLOUR: LIGHT BLUE)  
JACKET RANGE SMALL = 1.4MM TO 2.7MM (SEAL COLOUR: BURNT ORANGE)
  - SEE SHEET 3 FOR FINAL PART NUMBER DESIGNATION
  - SEE PS-93443-001 FOR PRODUCT SPECIFICATION
  - SEE PK-93443-001 FOR PACKAGING SPECIFICATION
- LAST INSPECTION NUMBER: 6  
INSPECTION NUMBERS 1-50 RESERVED FOR SHEET 2

SEE SHEET 1	EC NO:	2015/01/06
	DRWN: JFLETCHER	2015/01/06
	CHKD: JFLETCHER	2015/01/12
6	APPR: J WALLACE	2015/01/12

QUALITY SYMBOLS	DESCRIPTION
▽=0	
∇=0	

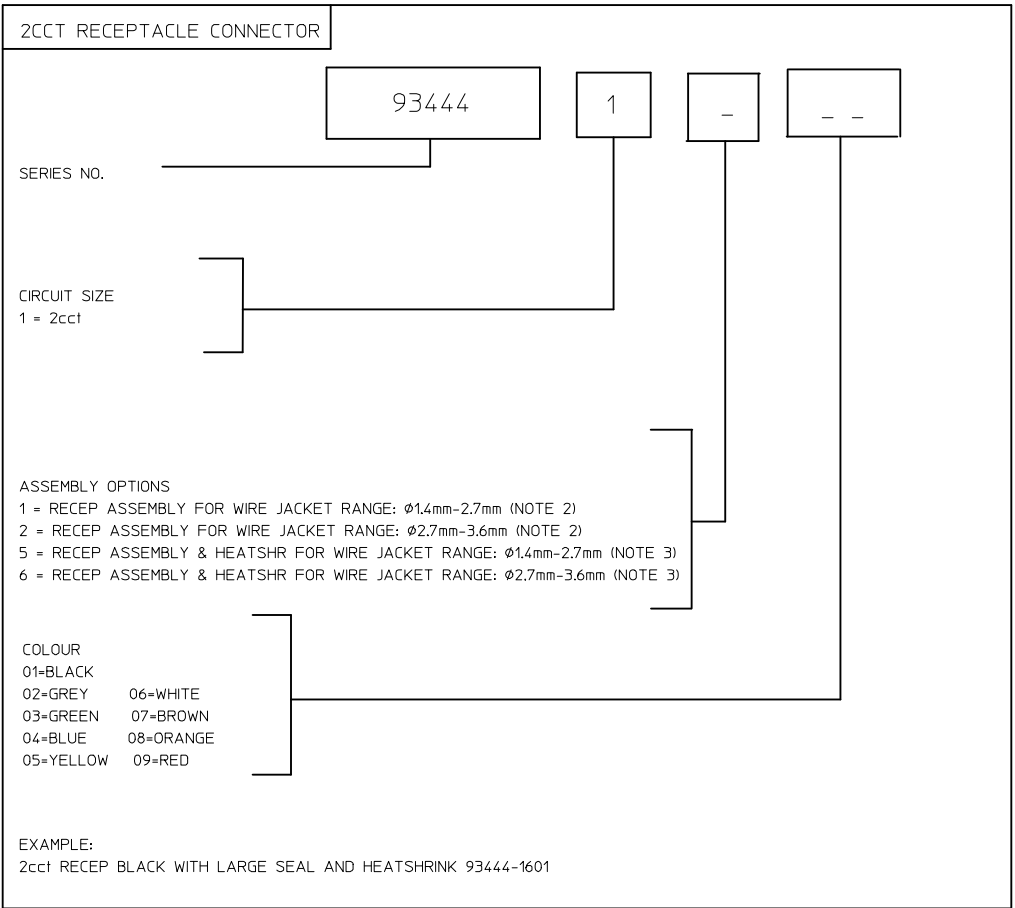
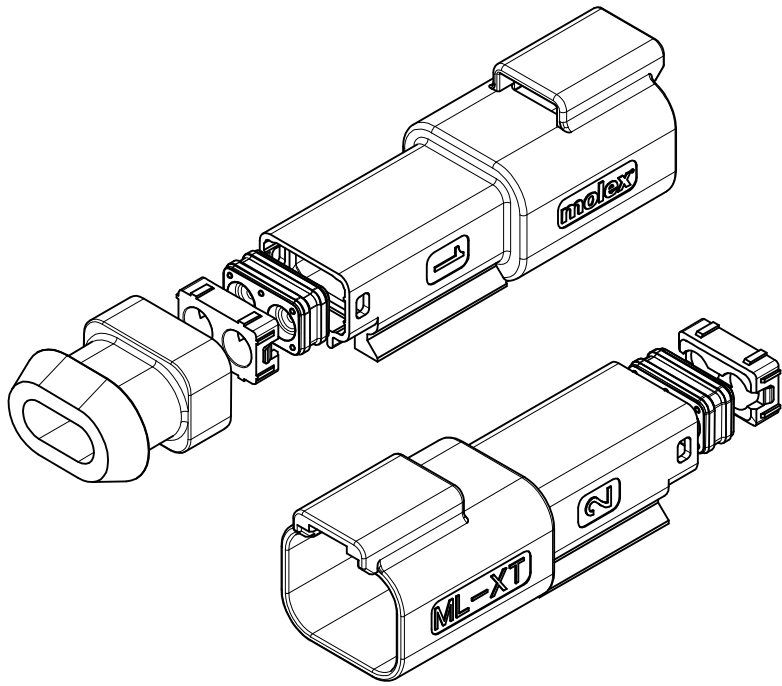
GENERAL TOLERANCES (UNLESS SPECIFIED)	
	mm INCH
4 PLACES	± --- ± ---
3 PLACES	± --- ± ---
2 PLACES	± 0.10 ± ---
1 PLACE	± 0.20 ± ---
0 PLACE	± --- ± ---
ANGULAR ± .5 °	
DRAFT WHERE APPLICABLE MUST REMAIN WITHIN DIMENSIONS	

DIMENSION STYLE	
MM ONLY	
DRAWN BY	DATE
JFLETCHER	2013/10/16
CHECKED BY	DATE
APPROVED BY	DATE
STGRIFFIN	2013/12/19
MATERIAL NO.	

SCALE	DESIGN UNITS	THIRD ANGLE PROJECTION
1.5:1	METRIC	☉
TITLE		
2CCT ML-XT CV CONNECTOR		

APPROVED BY		DATE	
STGRIFFIN		2013/12/19	
MATERIAL NO.		DOCUMENT NO.	SHEET NO.
SEE NOTES		SD-93443-001	2 OF 7
THIS DRAWING CONTAINS INFORMATION THAT IS PROPRIETARY TO MOLEX INCORPORATED AND SHOULD NOT BE USED WITHOUT WRITTEN PERMISSION			

9 8 7 6 5 4 3 2 1



Notes:  
 1. SEE SHEET 2 FOR UNSPECIFIED NOTES AND DIMENSIONS  
 2. BACK COVER HOUSING COLOUR: BLACK  
 3. PLEASE CONTACT MOLEX REGARDING HEATSHRINK HOUSING HEATSHRINK HOUSING COLOUR: BLACK

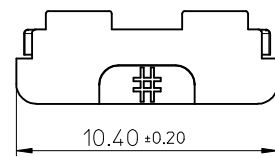
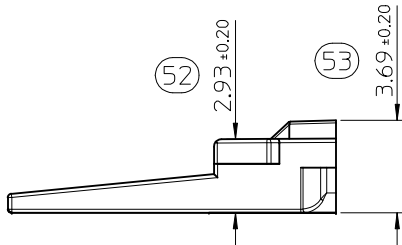
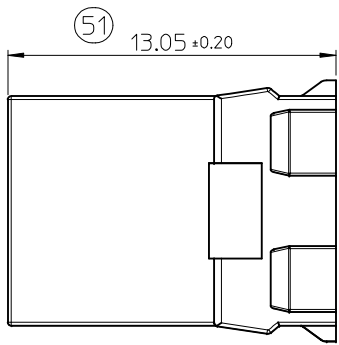
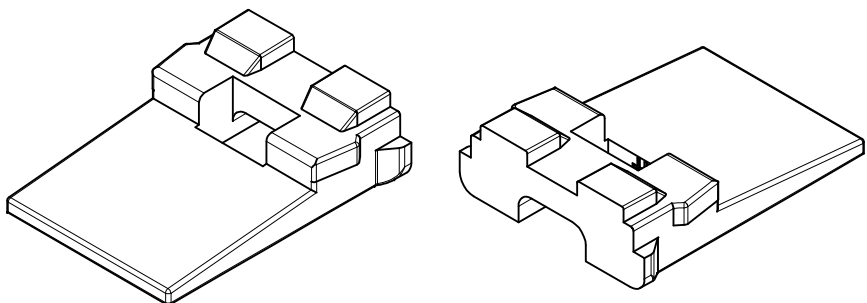
SEE SHEET 1	EC NO: DRWN: JFLETCHER 2015/01/06	QUALITY SYMBOLS $\blacktriangledown = 0$ $\triangleleft = 0$	GENERAL TOLERANCES (UNLESS SPECIFIED)		DIMENSION STYLE MM ONLY		SCALE 2:1	DESIGN UNITS METRIC	THIRD ANGLE PROJECTION					
	CH'KD: APPR: JWALLACE 2015/01/12		mm	INCH	DRAWN BY JFLETCHER	DATE 2013/10/16	TITLE 2CCT ML-XT CV CONNECTOR							
	REV: 6		4 PLACES	$\pm$ ---	$\pm$ ---	CHECKED BY	DATE							
			3 PLACES	$\pm$ ---	$\pm$ ---	APPROVED BY STGRIFFIN						DATE 2013/12/19	DOCUMENT NO. SD-93443-001	SHEET NO. 3 OF 7
			2 PLACES	$\pm$ 0.10	$\pm$ ---	MATERIAL NO.								
	1 PLACE	$\pm$ 0.20	$\pm$ ---	SEE NOTES										
	0 PLACE	$\pm$ ---	$\pm$ ---	DRAFT WHERE APPLICABLE MUST REMAIN WITHIN DIMENSIONS				THIS DRAWING CONTAINS INFORMATION THAT IS PROPRIETARY TO MOLEX INCORPORATED AND SHOULD NOT BE USED WITHOUT WRITTEN PERMISSION						

2CCT RECEP. WEDGELOCK

SERIES NO. 93447 1 0 --

CIRCUIT SIZE 1 = 2cct

COLOUR/KEYING 03=GREEN



NOTES

- 1. MATERIAL  
HOUSING: NYLON 30%GF
- 2. INSPECTION NUMBERS 51-100  
RESERVED FOR SHEET 4  
LAST INSPECTION NUMBER 54

SEE SHEET 1 EC NO: 6 DRWN: JFLETCHER 2015/01/06 CHKD: JHALLACE APPR: JHALLACE 2015/01/12	DESCRIPTION REV	QUALITY SYMBOLS	GENERAL TOLERANCES (UNLESS SPECIFIED)	DIMENSION STYLE	SCALE	DESIGN UNITS	THIRD ANGLE PROJECTION	
		▼=0 ▽=0	mm INCH 4 PLACES ± --- ± --- 3 PLACES ± --- ± --- 2 PLACES ± 0.10 ± --- 1 PLACE ± 0.20 ± --- 0 PLACE ± --- ± --- ANGULAR ± .5 °	MM ONLY	5:1	METRIC		
			DRAWN BY: JFLETCHER DATE: 2013/10/16	CHECKED BY: DATE:	TITLE: 2CCT ML-XT CV CONNECTOR			
			APPROVED BY: STGRIFIN DATE: 2013/12/19	MATERIAL NO.:	DOCUMENT NO. SD-93443-001		SHEET NO. 4 OF 7	
DRAFT WHERE APPLICABLE MUST REMAIN WITHIN DIMENSIONS			SEE NOTES					
			THIS DRAWING CONTAINS INFORMATION THAT IS PROPRIETARY TO MOLEX INCORPORATED AND SHOULD NOT BE USED WITHOUT WRITTEN PERMISSION					

10

9

8

7

6

5

4

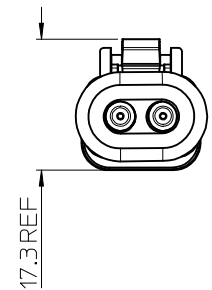
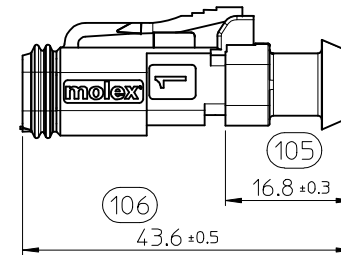
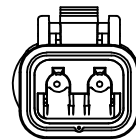
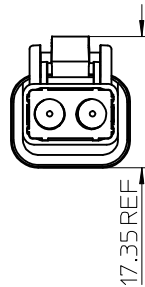
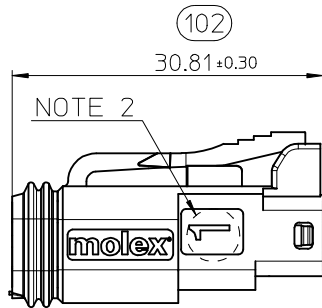
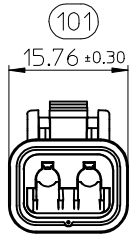
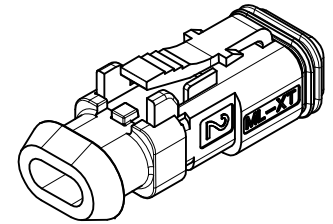
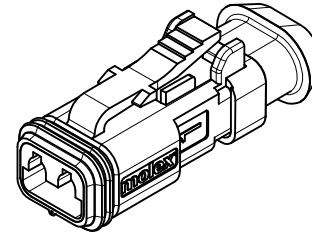
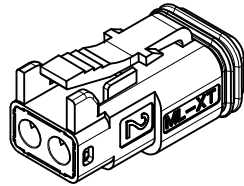
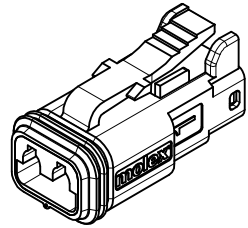
3

2

1

2CCT PLUG CONNECTOR

2CCT PLUG CONNECTOR WITH HEATSHRINK HOUSING ULTRA SONICALLY WELDED IN PLACE



NOTES

- 1. MATERIAL  
HOUSING: NYLON 30%GF  
PLUG SEAL: SILICONE RUBBER  
BACK SEAL: HIGH CONSISTENCY RUBBER
- 2. CIRCUIT IDENTIFICATION
- 3. JACKET RANGE LARGE = 2.7MM TO 3.6MM (SEAL COLOUR: LIGHT BLUE)  
JACKET RANGE SMALL = 1.4MM TO 2.7MM (SEAL COLOUR: BURNT ORANGE)
- 4. SEE SHEET 6 FOR FINAL PART NUMBER DESIGNATION
- 5. INSPECTION NUMBERS 101-150 RESERVED FOR SHEET 5  
LAST INSPECTION NUMBER 106.  
INSPECTION NUMBERS 103 & 107 DELETED.

SEE SHEET 1	EC NO:	2015/01/06	DESCRIPTION
	DRWN: JFLETCHER	2015/01/06	
	CHKD:		
	APPR: J WALLACE	2015/01/12	
	REV		

QUALITY SYMBOLS
▽=0
◻=0

GENERAL TOLERANCES (UNLESS SPECIFIED)	
	mm
4 PLACES	± ---
3 PLACES	± ---
2 PLACES	± 0.10
1 PLACE	± 0.20
0 PLACE	± ---
ANGULAR ± .5 °	
DRAFT WHERE APPLICABLE MUST REMAIN WITHIN DIMENSIONS	

DIMENSION STYLE	
MM ONLY	
DRAWN BY	DATE
JFLETCHER	2013/10/16
CHECKED BY	DATE
APPROVED BY	DATE
STGRIFFIN	2013/12/19
MATERIAL NO.	
SEE NOTES	
SIZE	A3

SCALE	1.5:1	DESIGN UNITS	METRIC	THIRD ANGLE PROJECTION
TITLE				
2CCT ML-XT CV CONNECTOR				
DOCUMENT NO.			SHEET NO.	
SD-93443-001			5 OF 7	
THIS DRAWING CONTAINS INFORMATION THAT IS PROPRIETARY TO MOLEX INCORPORATED AND SHOULD NOT BE USED WITHOUT WRITTEN PERMISSION				

9

8

7

6

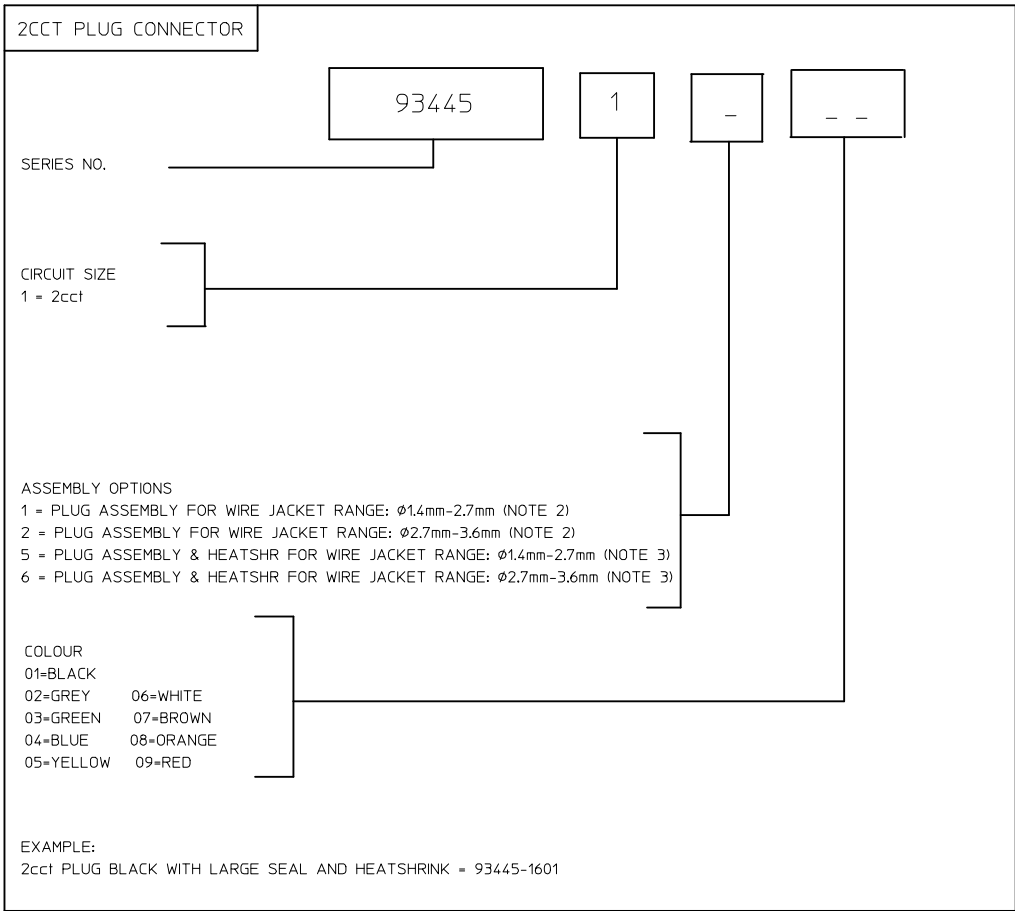
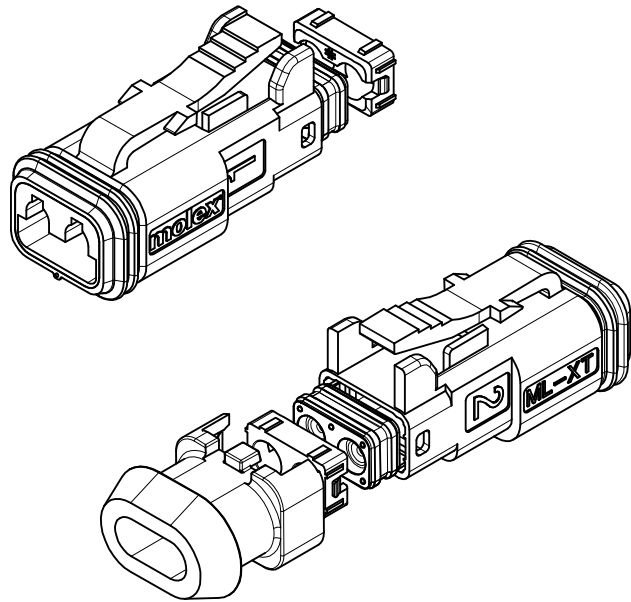
5

4

3

2

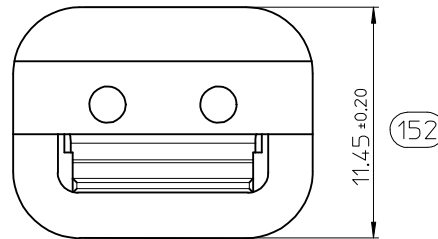
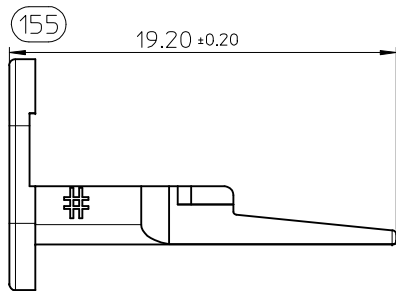
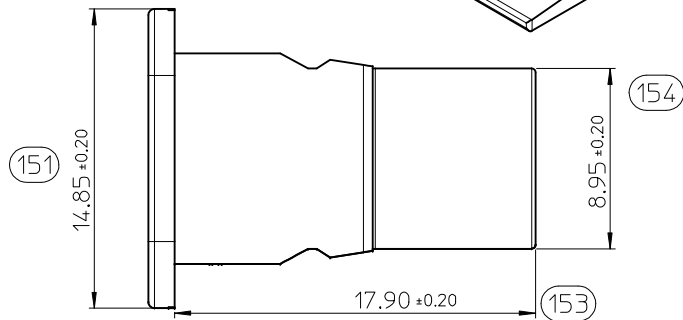
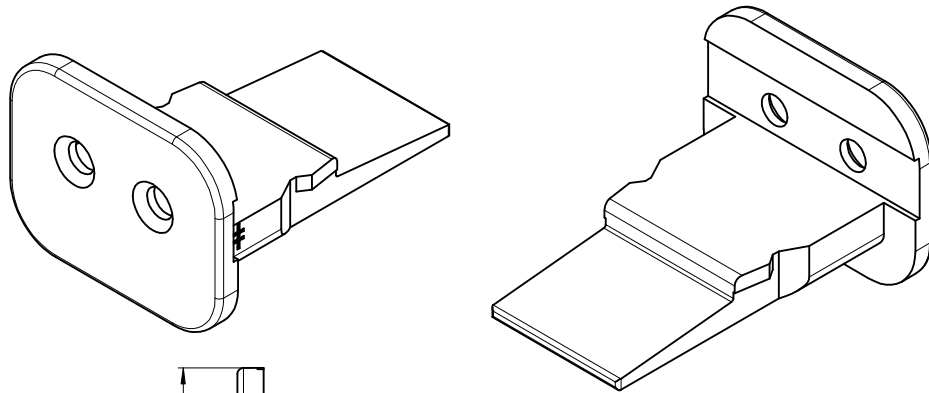
1



NOTES

- SEE SHEET 5 FOR UNSPECIFIED NOTES AND DIMENSIONS
- BACK COVER HOUSING COLOUR: BLACK
- PLEASE CONTACT MOLEX REGARDING HEATSHRINK HOUSING HEATSHRINK HOUSING COLOUR: BLACK

SEE SHEET 1	EC NO: 2015/01/06	DRWN: JFLETCHER	2015/01/06	DESCRIPTION	QUALITY SYMBOLS $\nabla=0$ $\square=0$	GENERAL TOLERANCES (UNLESS SPECIFIED)		DIMENSION STYLE MM ONLY		SCALE 2:1	DESIGN UNITS METRIC	THIRD ANGLE PROJECTION		
	CHKD: JFLETCHER	2015/01/06	APPR: JWALLACE			2015/01/12	mm	INCH	DRAWN BY JFLETCHER	DATE 2013/10/16	TITLE 2CCT ML-XT CV CONNECTOR			
	APPR: JWALLACE	2015/01/12				4 PLACES	$\pm$ ---	$\pm$ ---	CHECKED BY	DATE				
	REV	0				3 PLACES	$\pm$ ---	$\pm$ ---	APPROVED BY STGRIFFIN	DATE 2013/12/19				DOCUMENT NO. SD-93443-001
					2 PLACES	$\pm$ 0.10	$\pm$ ---	DRAFT WHERE APPLICABLE MUST REMAIN WITHIN DIMENSIONS						
					1 PLACE	$\pm$ 0.20	$\pm$ ---	SEE NOTES						
					0 PLACE	$\pm$ ---	$\pm$ ---	THIS DRAWING CONTAINS INFORMATION THAT IS PROPRIETARY TO MOLEX INCORPORATED AND SHOULD NOT BE USED WITHOUT WRITTEN PERMISSION						
					ANGULAR $\pm$ .5°									



**2CCT PLUG WEDGELOCK**

SERIES NO. 93448 1 0 --

CIRCUIT SIZE 1 = 2cct

COLOUR/KEYING 03=GREEN

- NOTES
- MATERIAL  
HOUSING: NYLON 30%GF
  - INSPECTION NUMBERS 151-200 RESERVED FOR SHEET 7  
LAST INSPECTION NUMBER 155

SEE SHEET 1 EC NO: DRWN: JFLETCHER 2015/01/06 CHKD: APPR: JWALLACE 2015/01/12	QUALITY SYMBOLS	GENERAL TOLERANCES (UNLESS SPECIFIED)	DIMENSION STYLE	SCALE	DESIGN UNITS	THIRD ANGLE PROJECTION
	▽=0 ◻=0	mm INCH 4 PLACES ± --- ± --- 3 PLACES ± --- ± --- 2 PLACES ± 0.10 ± --- 1 PLACE ± 0.20 ± --- 0 PLACE ± --- ± ---	MM ONLY	4:1	METRIC	
	DRAFT WHERE APPLICABLE MUST REMAIN WITHIN DIMENSIONS	DRAWN BY: JFLETCHER 2013/10/16 CHECKED BY: DATE APPROVED BY: STGRIFFIN 2013/12/19 DATE MATERIAL NO.	TITLE: 2CCT ML-XT CV CONNECTOR DOCUMENT NO. SD-93443-001	SHEET NO. 7 OF 7		
	SEE NOTES THIS DRAWING CONTAINS INFORMATION THAT IS PROPRIETARY TO MOLEX INCORPORATED AND SHOULD NOT BE USED WITHOUT WRITTEN PERMISSION	molex				