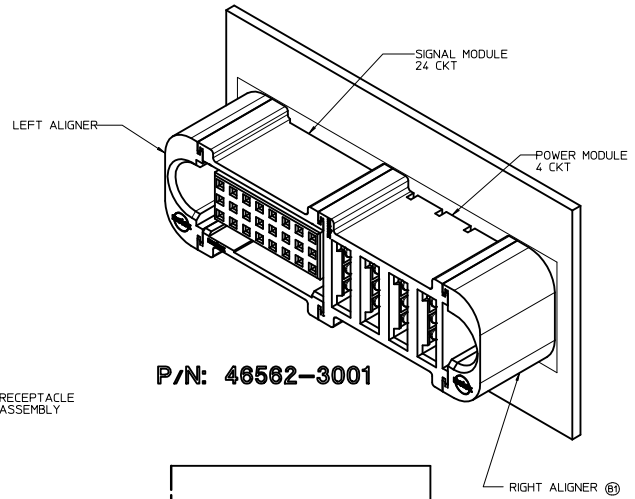
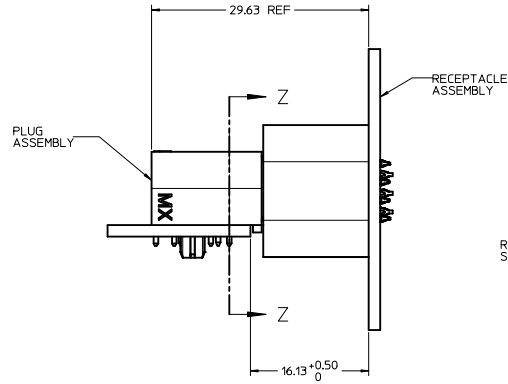
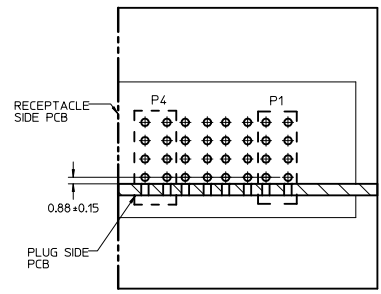


RECOMMENDED PCB LAYOUT AND KEEP-OUT ZONE



P/N: 46562-3001

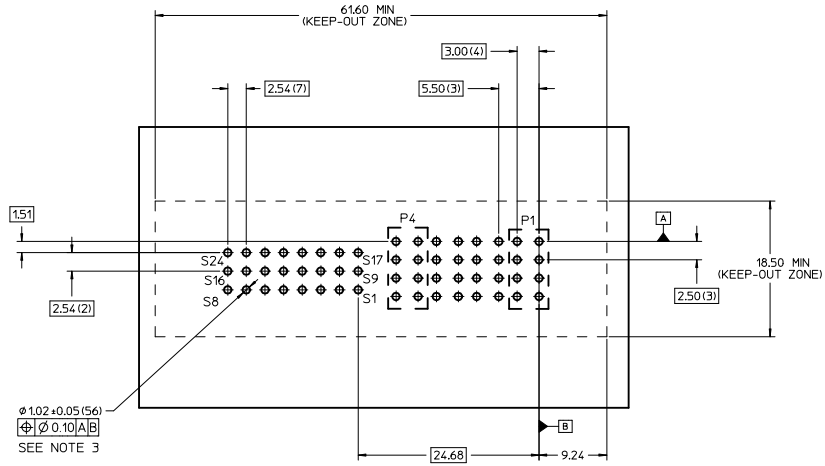
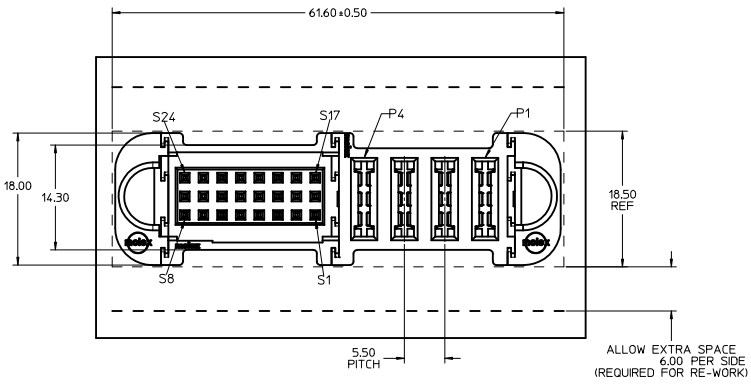
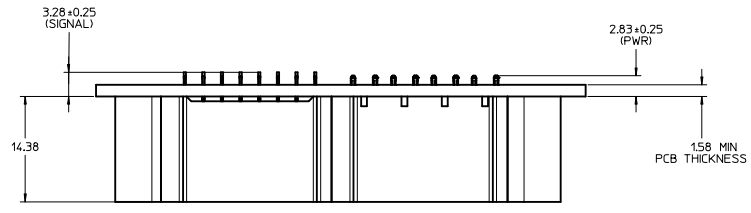


SECTION Z-Z

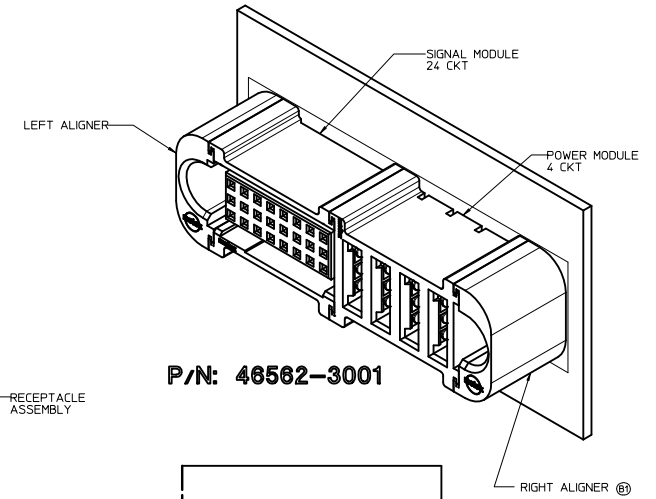
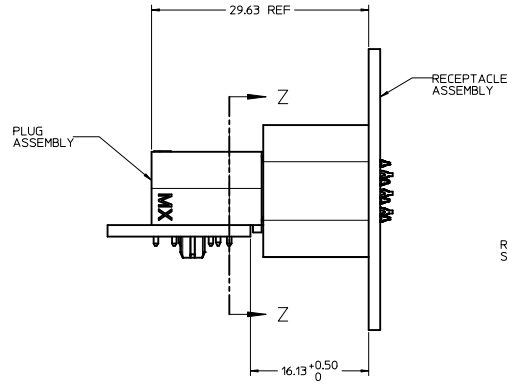
NOTES:

- MATERIAL:
 - HOUSINGS: LCP UL94 V-0, COLOR: BLACK.
 - TERMINALS: COPPER ALLOY.
 - PLATING: 0.00027 NICKEL OVERALL WITH 0.00254 SELECTIVE TIN ON COMPLIANT PINS. AND 0.000762 SELECTIVE GOLD ON CONTACT AREA.
- ASSEMBLIES PACKED IN TRAYS. SPQ: TBD.
- PC BOARD REQUIRES THRU HOLES. REFER TO PS-46436-100 FOR DETAILS.
- PRODUCT SPEC: PS-46436-100.
- APPLICATION SPEC: AS-46436-100.
- PRODUCT TO MEET RoHS REQUIREMENTS.
- ASSEMBLY MATES WITH PLUG ASSEMBLY. P/N 46437-3001.

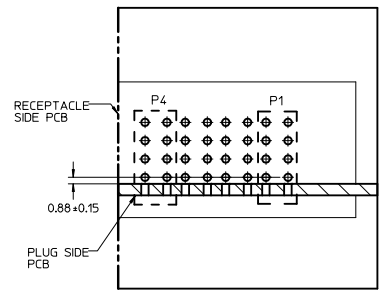
UPDATE DESCRIPTION EEC NO: LCP2010-1783 DRAWN/KARAD/MS 2010/01/21 CHK/DLNG 2010/02/08 APPR/PATEL 2010/02/10 REV B2	QUALITY SYMBOLS	GENERAL TOLERANCES (UNLESS SPECIFIED)	DIMENSION STYLE	SCALE	DESIGN UNITS	THIRD ANGLE PROJECTION	
		mm INCH	MM ONLY	3:1	METRIC		
		4 PLACES ±--- ±---	DRAWN BY DATE	TITLE			
		3 PLACES ±--- ±---	CHECKED BY DATE	VERT. RECEPT ASSY (B1)			
	2 PLACES ±0.25 ±---	APPROVED BY DATE	TEN60 POWER FAMILY				
	1 PLACE ±0.25 ±---	DATE	MOLEX INCORPORATED				
	ANGULAR ±1/2°	MATERIAL NO.	DOCUMENT NO.				
	DRAFT WHERE APPLICABLE MUST REMAIN WITHIN DIMENSIONS	46562-3001	SD-46562-301				
		SIZE D	THIS DRAWING CONTAINS INFORMATION THAT IS PROPRIETARY TO MOLEX INCORPORATED AND SHOULD NOT BE USED WITHOUT WRITTEN PERMISSION				



RECOMMENDED PCB LAYOUT AND KEEP-OUT ZONE



P/N: 46562-3001



SECTION Z-Z

NOTES:

- MATERIAL:
-HOUSINGS: LCP UL94 V-0, COLOR: BLACK.
-TERMINALS: COPPER ALLOY.
-PLATING: 0.00027 NICKEL OVERALL WITH 0.00254 SELECTIVE TIN ON COMPLIANT PINS.
AND 0.000762 SELECTIVE GOLD ON CONTACT AREA.
- ASSEMBLIES PACKED IN TRAYS. SPQ: TBD.
- PC BOARD REQUIRES THRU HOLES. REFER TO PS-46436-100 FOR DETAILS.
- PRODUCT SPEC: PS-46436-100.
- APPLICATION SPEC: AS-46436-100.
- PRODUCT TO MEET RoHS REQUIREMENTS.
- ASSEMBLY MATES WITH PLUG ASSEMBLY. P/N 46437-3001.

UPDATE DESCRIPTION EEC NO: LCP2010-1783 DRAWN/KARAD/MS 2010/01/21 CHK/D/LNG 2010/02/08 APPR/PATEL 2010/02/10 B2	QUALITY SYMBOLS	GENERAL TOLERANCES (UNLESS SPECIFIED)	DIMENSION STYLE	SCALE	DESIGN UNITS	THIRD ANGLE PROJECTION
		mm INCH 4 PLACES ±--- ±--- 3 PLACES ±--- ±--- 2 PLACES ±0.25 ±--- 1 PLACE ±0.25 ±--- ANGULAR ±1/2°	MM ONLY	3:1	METRIC	TITLE VERT. RECEPT ASSY 4P-24S, PRESS-FIT (B1) TEN60 POWER FAMILY MOLEX INCORPORATED MATERIAL NO. 46562-3001 DOCUMENT NO. SD-46562-301 SHEET NO. 1 OF 1
	DRAFT WHERE APPLICABLE MUST REMAIN WITHIN DIMENSIONS		THIS DRAWING CONTAINS INFORMATION THAT IS PROPRIETARY TO MOLEX INCORPORATED AND SHOULD NOT BE USED WITHOUT WRITTEN PERMISSION			