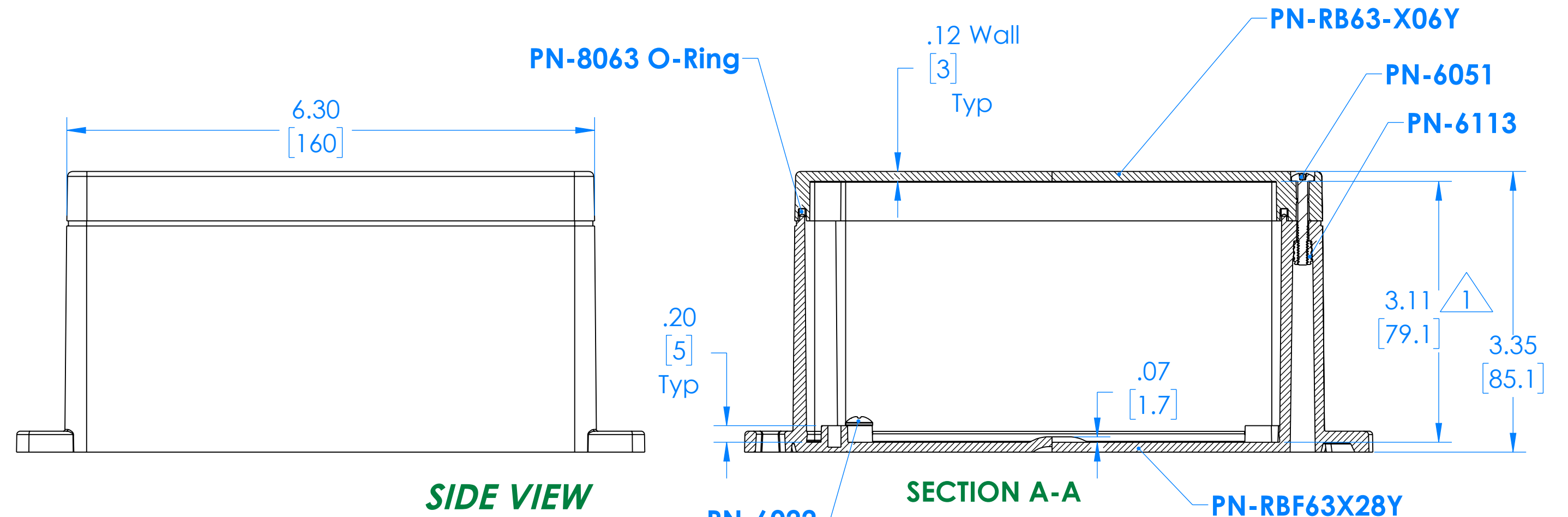
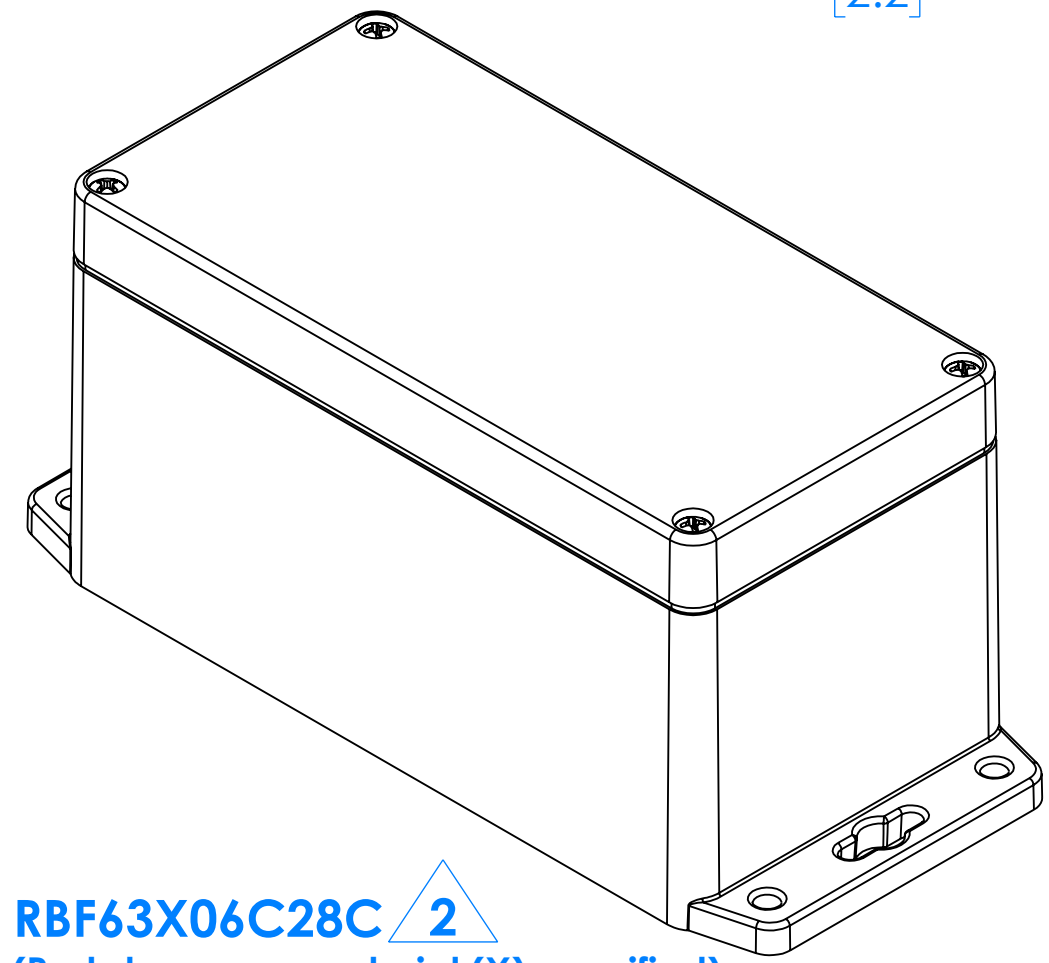
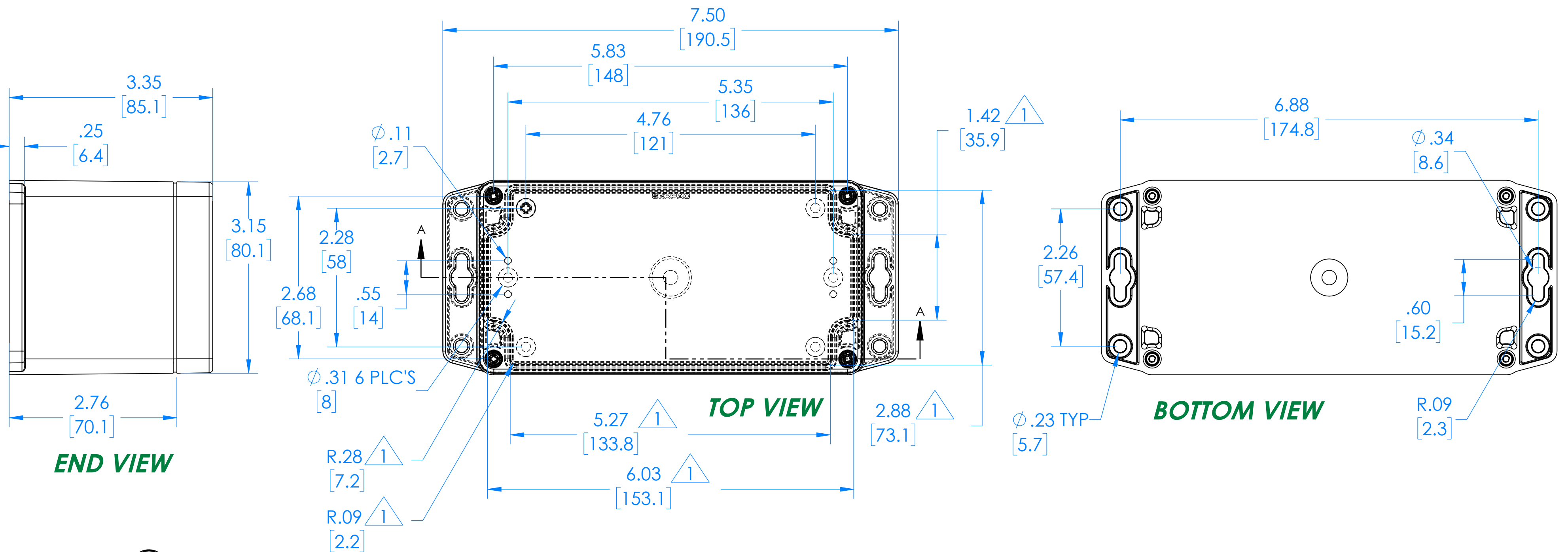


SERPAC RBF63X06Y28Y

Electronic Enclosures

2



PN	Description
RB63-X06Y	(1) RB63X06Y, Top
RBF63X28Y	(1) RBF63X28Y, Bottom
8063	(1) RB63 O-Ring
6051	(4) #6-32 X 1" Captive PH Pan Hd Screw
6022	(4) #10 High/Low Pan Hd x 1/4"
6113	(4) #6-32 Threaded Insert

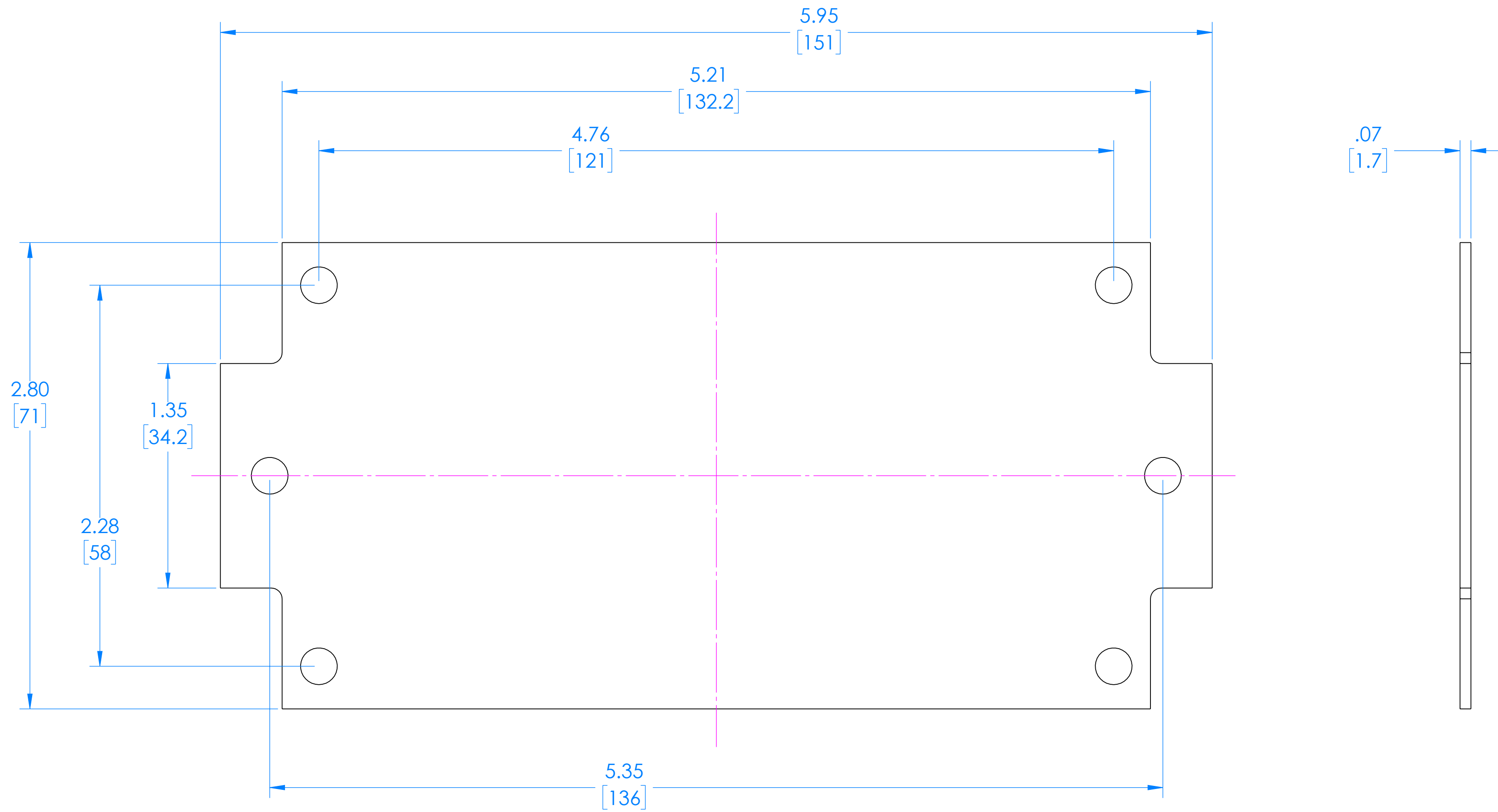
1 = INTERIOR DIMENSIONS (@ BOTTOM)
 2 = STANDARD COLORS (Y) ARE: BLACK (B), CLEAR (C) AND GRAY (G)
 TOPS AND BOTTOMS ALL POSSIBLE COMBINATIONS AVAILABLE
 STANDARD MATERIALS (X) IS: POLYCARBONATE (P)

DIMENSIONS in Inch [mm]

-Watertight enclosure meets or exceed Nema 4 and or IP67.

SERPAC RBF63 Circuit Board (Fits all Parts starting with RBF63)

Electronic Enclosures



(REFERENCE ONLY)

DIMENSIONS in Inch
[mm]

ALL DIMENSIONS ARE $\pm .010''$

2009 Wright Ave, La Verne, Ca. 91750
Ph. (626) 331-0517 Fx. (626) 331-8584 serpac.com

7/06/2021