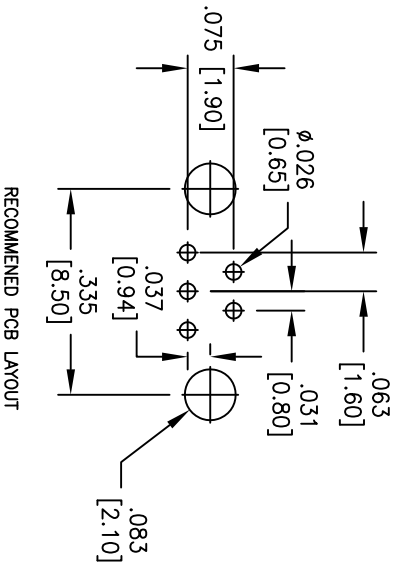
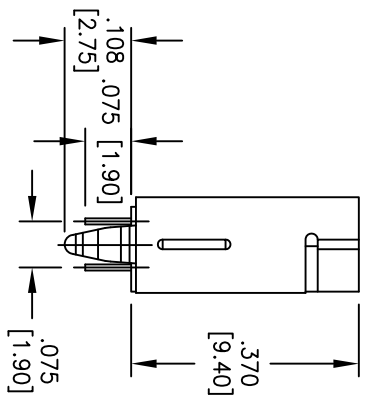
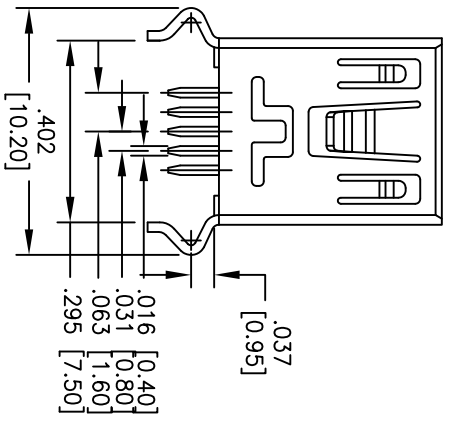
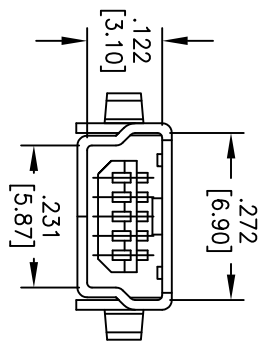


APPROVED: _____
 DATE: _____ TITLE: _____

Rev	AWO #	Description	Date	Appr
-		RELEASED	12/11/06	
A		REVISED SHAPE	1/27/10	



SPECIFICATIONS:

- Material: Insulator: Hi-temp thermoplastic, rated UL 94V-0
- Insulator color: Black
- Contacts: Phosphor Bronze
- Shell: Brass, Nickel plated
- Plating: Gold Flash over Nickel underplate on contact area, Tin over Copper underplate on tails
- Electrical: Operating voltage: 30 VAC
- Current rating: 1 Amp
- Contact resistance: 50 mohms max.
- Insulation resistance: 100 Mohms min.
- Dielectric withstanding voltage: 100 VAC for 1 minute
- Temperature Rating: Temperature range: -20°C to +60°C
- Environmental: Lead free, RoHS compliant.



ADAM TECH

909 Railway Avenue, Union, NJ 07083
 Phone: 908-687-5000 Fax: 908-687-5710

TITLE: MINI USB, TYPE B, 5 PIN, SINGLE PORT
 VERTICAL, PCB MOUNT

UNLESS OTHERWISE SPECIFIED ALL DIMENSIONS ARE INCHES [MM] TOLERANCES: EXCEPT AS NOTED		INCHES		HOLES	
.X	± .10	ØX	± .10		
.XX	± .020	ØXX	± .015		
.XXX	± .015	ØXXX	± .010		
APPROVALS		DATE			
DRAWN	BW	12/11/06			
CHECKED					
APPROVED					
SIZE	PART NO.	TITLE		REV.	
X	MUSB-B5-S-VT-02	MINI USB, TYPE B, 5 PIN, SINGLE PORT VERTICAL, PCB MOUNT		A	
REF: S00015C	SCALE: NTS	SHEET 1 OF 1			